



UH11K

Preliminary

NPN EPITAXIAL SILICON TRANSISTOR

DUAL BIAS RESISTOR TRANSISTORS

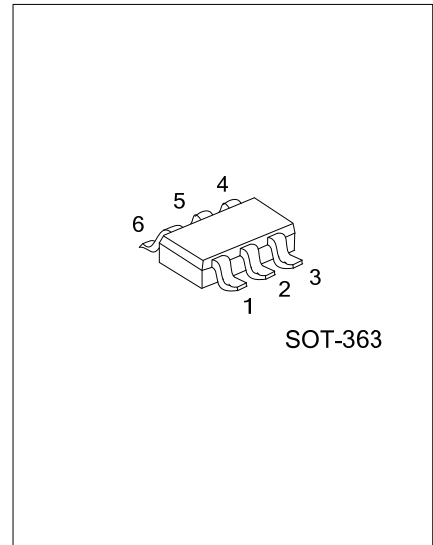
DESCRIPTION

The UTC **UH11K** is a dual bias resistor transistors, it uses UTC's advanced technology to provide customers with saving board space, reducing component count, etc.

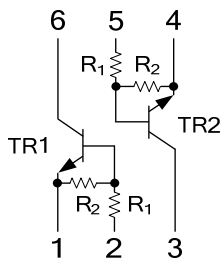
The UTC **UH11K** is suitable for low power surface mount applications, etc.

FEATURES

- * Reducing component count
- * Saving board space



EQUIVALENT CIRCUIT



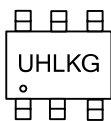
ORDERING INFORMATION

Ordering Number	Package	Pin Assignment						Packing
		1	2	3	4	5	6	
UH11KG-AL6-R	SOT-363	E1	B1	C2	E2	B2	C1	Tape Reel

Note: Pin Assignment: G: Gate D: Drain S: Source

UH11KG-AL6-R	(1)Packing Type	(1) R: Tape Reel
	(2)Package Type	(2) AL6: SOT-363
	(3)Green Package	(3) G: Halogen Free and Lead Free

MARKING



■ ABSOLUTE MAXIMUM RATINGS ($T_A=25^{\circ}\text{C}$, unless otherwise specified)

PARAMETER	SYMBOL	RATINGS	UNIT
Collector-Base Voltage	V_{CBO}	50	V
Collector-Emitter Voltage	V_{CEO}	50	V
Collector Current	I_C	100	mA
Power Dissipation	P_D	150	mW
Junction Temperature	T_J	-55~+150	$^{\circ}\text{C}$
Storage Temperature	T_{STG}	-55~+150	$^{\circ}\text{C}$

Note: Absolute maximum ratings are those values beyond which the device could be permanently damaged.
Absolute maximum ratings are stress ratings only and functional device operation is not implied.

Note: Absolute maximum ratings are those values beyond which the device could be permanently damaged.
Absolute maximum ratings are stress ratings only and functional device operation is not implied.

■ ELECTRICAL CHARACTERISTICS ($T_A=25^{\circ}\text{C}$, unless otherwise specified)

PARAMETER	SYMBOL	TEST CONDITIONS	MIN	TYP	MAX	UNIT
OFF CHARACTERISTICS						
Collector-Base Breakdown Voltage	BV_{CBO}	$I_C=10\mu\text{A}$, $I_E=0$	50			V
Collector-Emitter Breakdown Voltage (Note 1)	BV_{CEO}	$I_C=2.0\text{mA}$, $I_B=0$	50			V
Collector-Base Cutoff Current	I_{CBO}	$V_{CB}=50\text{V}$, $I_E=0$			100	nA
Collector-Emitter Cutoff Current	I_{CEO}	$V_{CE}=50\text{V}$, $I_B=0$			500	nA
Emitter-Base Cutoff Current	I_{EBO}	$V_{EB}=6.0\text{V}$, $I_C=0$			0.5	mA
ON CHARACTERISTICS (Note 2)						
DC Current Gain	h_{FE}	$V_{CE}=10\text{V}$, $I_C=5.0\text{mA}$	35	60		
Output Voltage (on)	V_{OL}	$V_{CC}=5.0\text{V}$, $V_B=2.5\text{V}$, $R_L=1.0\text{ k}\Omega$			0.2	V
ON CHARACTERISTICS (Note 2)						
Input Resistor	R_1		7.0	10	13	k Ω
Resistor Ratio	R_1/R_2		0.8	1.0	1.2	k Ω

Notes: 1. Pulse Test: Pulse Width<300 μs , Duty Cycle<2.0%

2. Pulse Test: Pulse Width<300ms, Duty Cycle<2.0%

UTC assumes no responsibility for equipment failures that result from using products at values that exceed, even momentarily, rated values (such as maximum ratings, operating condition ranges, or other parameters) listed in products specifications of any and all UTC products described or contained herein. UTC products are not designed for use in life support appliances, devices or systems where malfunction of these products can be reasonably expected to result in personal injury. Reproduction in whole or in part is prohibited without the prior written consent of the copyright owner. The information presented in this document does not form part of any quotation or contract, is believed to be accurate and reliable and may be changed without notice.