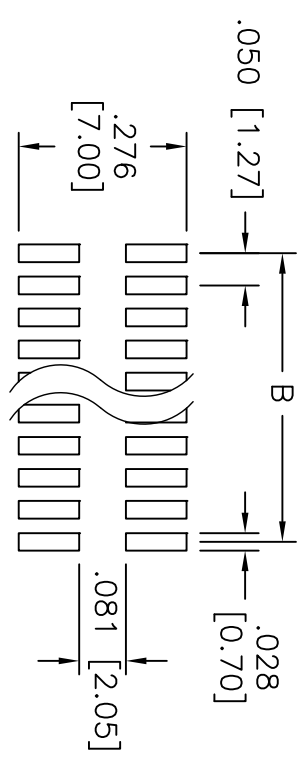
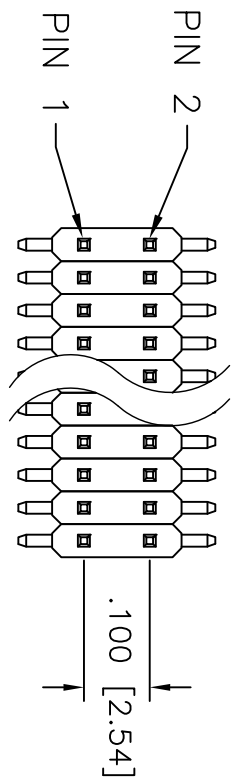
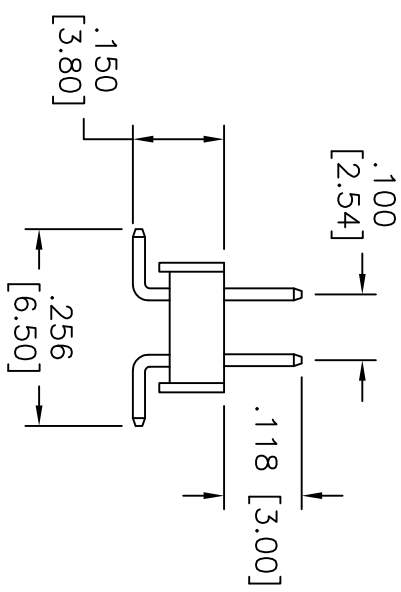
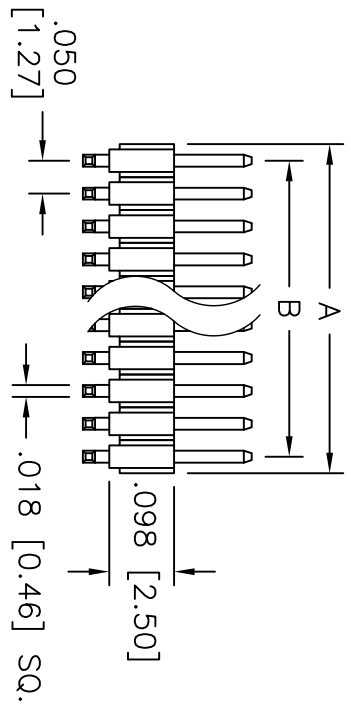


Rev	AWO #	Description	Date	Appr
-		RELEASED	7/23/10	

APPROVED: \_\_\_\_\_  
 DATE: \_\_\_\_\_ TITLE: \_\_\_\_\_



Recommended PCB Layout



A = .050 [1.27] X No. of Positions per row  
 B = .050 [1.27] X No. of Spaces per row

**SPECIFICATIONS:**

**Material:** Insulator: Hi-temp thermoplastic, rated UL 94V-0  
 Insulator color: Black

**Contacts:** Brass

**Plating:**

10u" Gold flash over Nickel underplate on contact area,  
 Tin over copper underplate on tails.

**Electrical:**

Current rating: 1 Amps

Contact resistance: 20 mohms max @ DC 100mA

Insulation resistance: 5000 Mohms min @ DC 500V

Dielectric withstanding voltage: 500 VAC for 1 minute

**Temperature Rating:**

Operating temperature: -40°C to +105°C

**Environmental:**

Lead free, RoHS compliant.

Recommended soldering temp: 260°C for 5 sec.



**ADAM TECH**

909 Rahway Avenue, Union, NJ 07083  
 Phone: 908-687-5000 Fax: 908-687-5710

10u" SELECTIVE GOLD PLATED

UNLESS OTHERWISE SPECIFIED ALL DIMENSIONS ARE INCHES [MM]		TOLERANCES: EXCEPT AS NOTED	
.X	± .10	ØX	± .10
.XX	± .020	ØXXX	± .015
.XXX	± .015	ØXXXX	± .010
APPROVALS	DATE		
DRAWN AY	7/23/10	SIZE	PART NO.
CHECKED AH	7/23/10	X	HPH2-B-XX-SGA-SMT-10
APPROVED		REF:	S00039T
		SCALE:	NTS
		SHEET	1 OF 1

6 5 4 3 2 1