

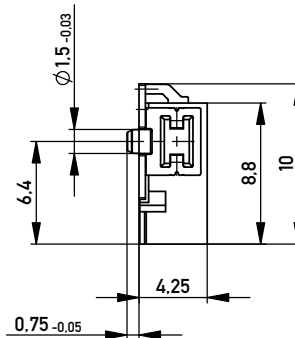
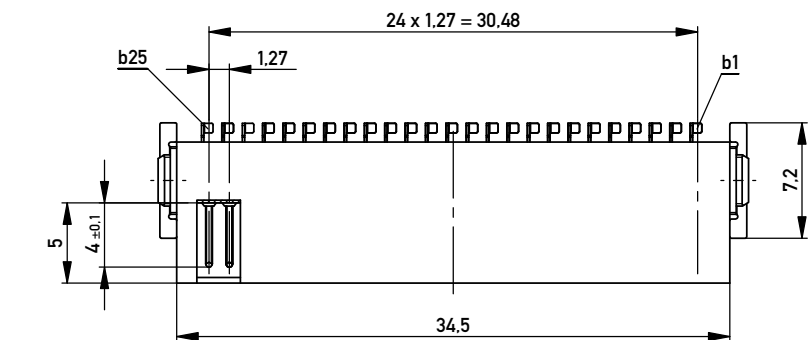
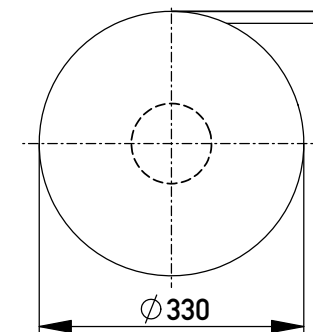
Anforderungsstufe 1
Performance Level 1

Kontaktbereich vergoldet
Mating Area gold plating

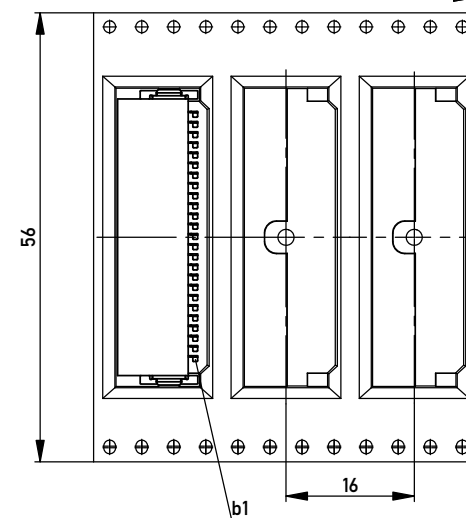
Anschlussbereich verzinkt 4-6 µm
Terminal Area 4-6 µm tin plating

Koplanarität der Anschlüsse ≤ 0.1 mm
Coplanarity Area of Termination ≤ 0.1 mm

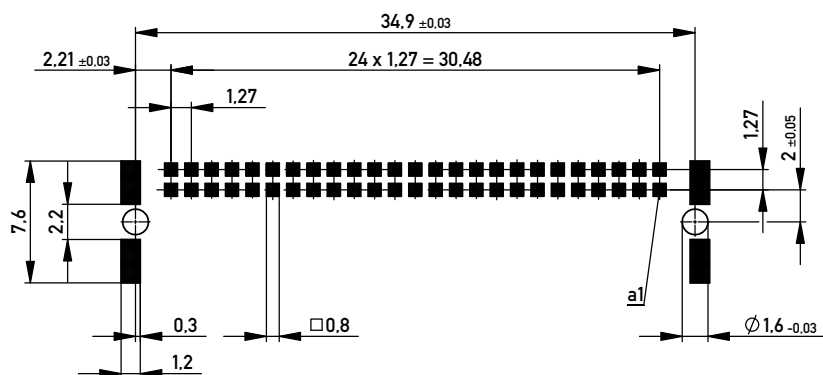
Verpackt in Gurtverpackung
Tape on Reel Packaging
Verpackungseinheit: 560 Stück
Packaging unit: 560 pcs



Abspulrichtung - Reel off Direction



Leiterplatten-Layout Vorschlag für SMT
PCB-Layout Proposal for SMT



BA7-03 - Standard Bauhöhe
type7-03 - Standard Assembly Height

Information: All rights reserved. Only for Information. To ensure that this is the latest version of this drawing, please contact one of the ERNI companies before using.	Tolerances	 All Dimensions in mm	Scale	3:1
	Subject to modification without prior notice. Drawing will not be updated.		Designation	Messertl. SMC-B 50-SMD-BA7-03 Male SMC-B 50-SMD-type7-03
 www.ERNI.com	154765		I A3	
d Index	02.09.2013 Date	Class SMCB		

Copyright by ERNI GmbH.
Proprietary notice pursuant to ISO 9006 to be observed.