



TAI-SAW TECHNOLOGY CO., LTD.

No. 3, Industrial 2nd Rd., Ping-Chen Industrial District,
Taoyuan, 324, Taiwan, R.O.C.

TEL: 886-3-4690038 FAX: 886-3-4697532

E-mail: tstsales@mail.taisaw.com Web: www.taisaw.com

Approval Sheet For Product Specification

Issued Date:

Product Name: IF SAW Filter 45.75 MHz

TST Parts No.: TB0487A

Customer Parts No.: _____

Company: _____
Division: _____
Approved by : _____
Date: _____

Checked by: Kazuma Lee 

Approval by: Francis Chen 

Date: 2008/12/15



TAI-SAW TECHNOLOGY CO., LTD.

No. 3, Industrial 2nd Rd., Ping-Chen Industrial District,
Taoyuan, 324, Taiwan, R.O.C.

TEL: 886-3-4690038 FAX: 886-3-4697532

E-mail: tstsales@mail.taisaw.com Web: www.taisaw.com

IF SAW Filter 45.75MHz(BW=3.6MHz)

MODEL NO.: TB0487A

REV. NO.2

A. MAXIMUM RATING:

DC voltage	V_{DC}	12	V	Between any terminals
AC voltage	V_{PP}	10	V	Between any terminals
Operating Temperature Range	T_A	-25~65	°C	
Storage Temperature Range	T_{stg}	-40~85	°C	

B. Characteristics :

1. Electronic Characteristics

Reference temperature: $T_a=25^{\circ}C$
 Terminating source impedance $Z_S=50\Omega$
 Terminating load impedance $Z_L=2k\Omega // 3pF$



2 .Amplitude Characteristics

Attenuation (ref. : 44.06MHz)

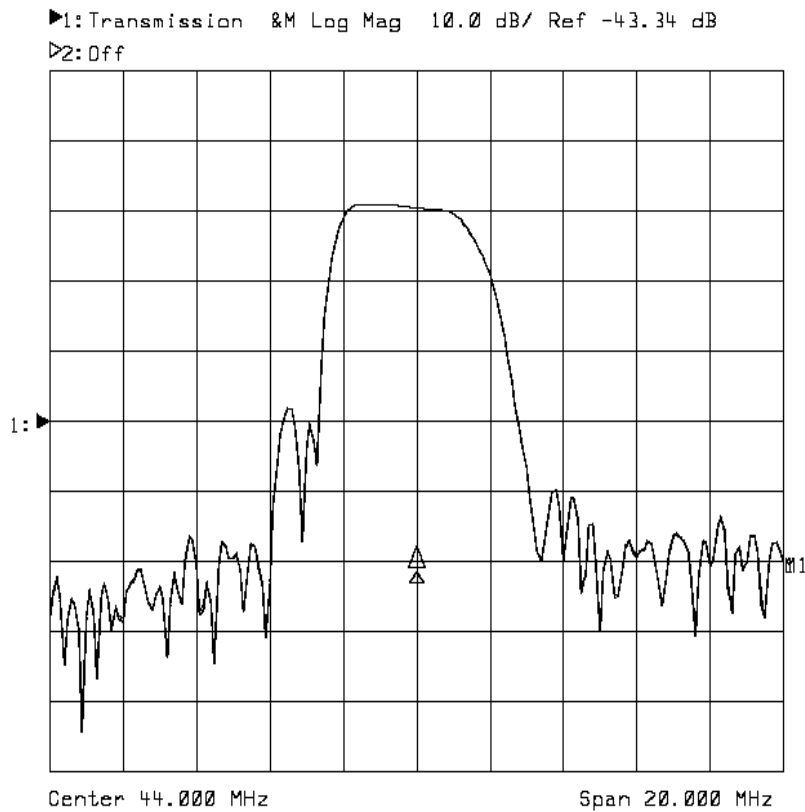
FREQUENCY(MHz)	VALUE			unit
	Min	Typ.	Max.	
Insertion attenuation 44.06 MHz	12.8	14.3	15.8	dB
Picture carrier 45.81 MHz	4.6	6.1	7.6	dB
Color carrier 42.23 MHz	-1.2	0.3	1.8	dB
Sound carrier 41.31 MHz	24.0	36.0	-	dB
Adjacent picture carrier 39.81 MHz	46.0	60.0	-	dB
Adjacent sound carrier 47.31 MHz	44.0	60.0	-	dB
Lower sidelobe: 35.06-39.81 MHz	40.0	46.0	-	dB
Upper sidelobe: 47.31-55.06 MHz	35.0	41.0	-	dB
Reflected wave signal suppression	42.0	52.0	-	dB
Feedthrough signal suppression	-	56.0	-	dB
Group delay predistortion (p-p)				
Ref frequency 45.81MHz 43.26 MHz	-	-40	-	ns
42.23 MHz	-	0	-	ns
Impedance at 44.06 MHz				
Input: $Z_{in} = R_{in} // C_{in}$	-	1.0 20.3	-	$k\Omega // pF$
Output: $Z_{out} = R_{out} // C_{out}$	-	1.4 4.3	-	$k\Omega // pF$
Temperature coefficient TC	-	-72	-	ppm/K

Attenuation: (ref. : 41.31 MHz)

FREQUENCY(MHz)	VALUE			unit
	Min	Typ.	Max.	
Insertion attenuation 41.31 MHz	9.9	11.4	12.9	dB
Picture carrier 45.81 MHz	38.0	45.0	-	dB
Color carrier 42.23 MHz	23.0	32.0	-	dB
Adjacent picture carrier 39.81 MHz	35.0	41.0	-	dB
Adjacent sound carrier 47.31 MHz	40.0	43.0	-	dB
Lower sidelobe: 35.06-39.81 MHz	35.0	40.0	-	dB
Upper sidelobe: 47.31-55.06 MHz	34.0	39.0	-	dB
Impedance at 41.31MHz				
Input: $Z_{in} = R_{in} // C_{in}$	-	0.6 24.7	-	$k\Omega // pF$
Output: $Z_{out} = R_{out} // C_{out}$	-	1.3 4.2	-	$k\Omega // pF$
Temperature coefficient TC	-	-72	-	ppm/K

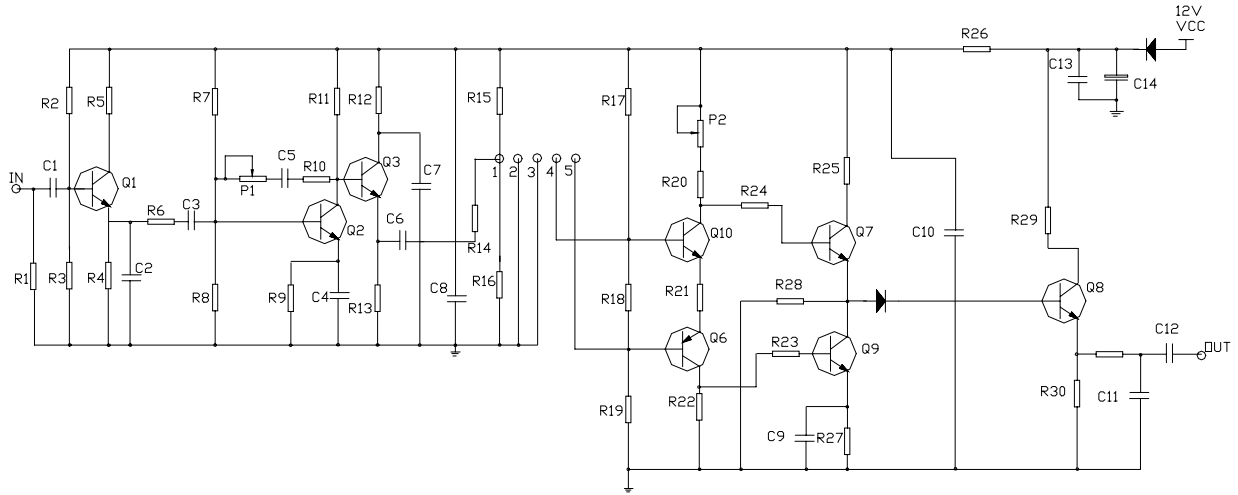
C. Frequency Characteristics :

1. S21 Response: (span 20MHz)

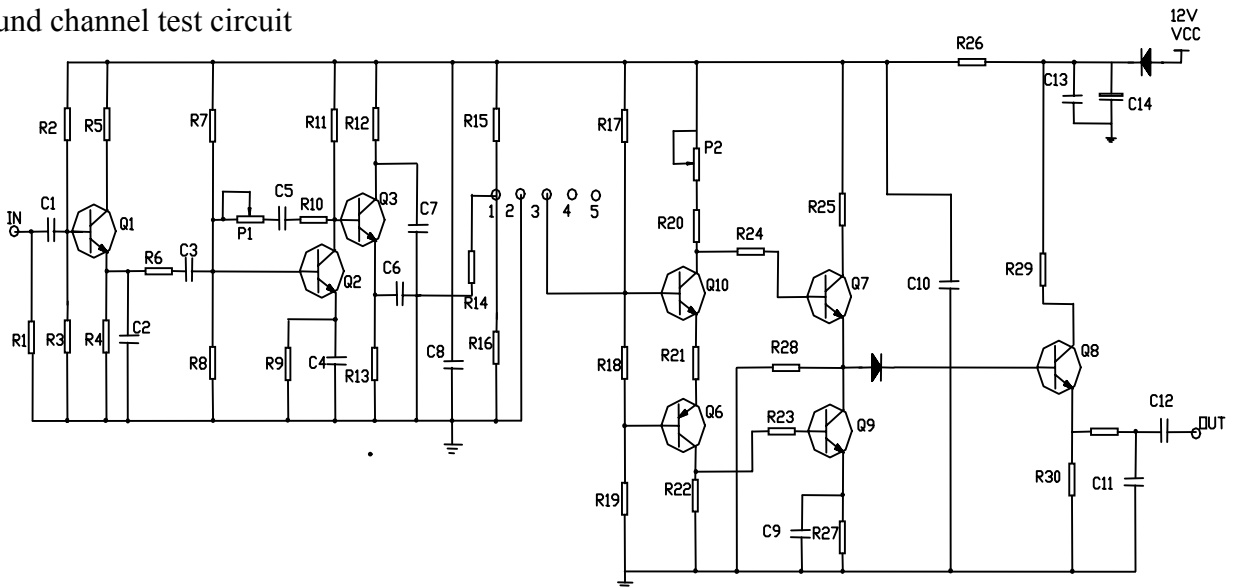


D. TEST CIRCUIT:

Video channel test circuit

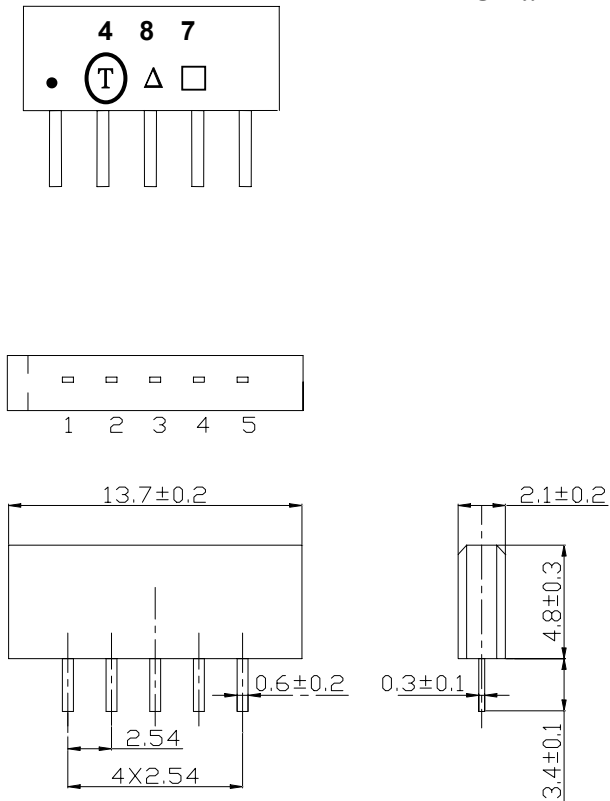


Sound channel test circuit



E. Outline Drawing:

Unit: mm



Pin No. Functions

- 1. Input
- 2. Chip carrier - ground
- 3. Output - sound
- 4. Output - picture
- 5. Output – picture

□ : Week Code (Follow the table from planner each year)

△ : Product / Year Code

Year	2005 2009	2006 2010	2007 2011	2008 2012
Product Code	B	b	<u>B</u>	<u>b</u>