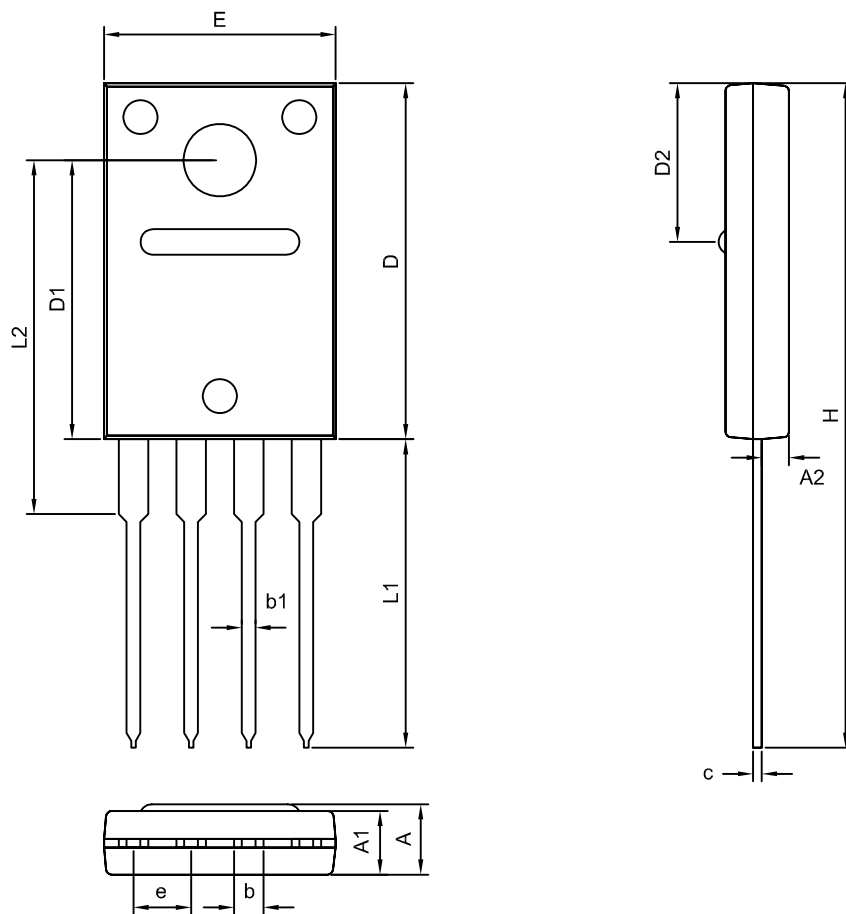




TO220TF



Symble	DIMENSION IN MM			DIMENSION IN INCH		
	MIN.	NOM.	MAX.	MIN.	NOM.	MAX.
A	2.90	3.10	3.30	0.114	0.122	0.130
A1	2.60	2.80	3.00	0.102	0.110	0.118
A2	1.00	1.20	1.40	0.039	0.047	0.055
D	15.60	15.70	15.80	0.614	0.618	0.622
D1	12.20	12.30	12.40	0.480	0.484	0.488
D2	6.80	7.00	7.20	0.268	0.276	0.283
E	9.95	10.00	10.05	0.392	0.394	0.396
b	1.05 MIN			0.041 MIN		
b1	0.62 MIN			0.024 MIN		
c	0.36	0.38	0.40	0.014	0.015	0.016
e	2.54 BSC			0.100 BSC		
L1	13.60 BSC			0.535 BSC		
L2	15.30	15.60	15.90	0.602	0.614	0.626
H	28.80	29.30	29.80	1.134	1.154	1.173

Taping Specification

PACKAGE	Q'TY/TUBE
TO220TF	50ea