



# VRLA Rechargeable Battery

## BP5.5-12RT



### FEATURES

- Absorbent Glass Mat technology for efficient gas recombination
- Maintenance free(no water topping-up required).
- No free acid(Non-spillable battery).
- Low self-discharge rate, lower than 3% capacity loss per month.
- Can be used in any orientation(excluding used inverted).

### APPLICATION

- UPS
- Electronic Doorbells
- Toy-Cars
- Fans



### SPECIFICATIONS

Nominal Voltage	12 V
Nominal Capacity	5.5Ah @ 20 hour rate F.V.(1.75V/cell)
Approx. Weight	1850g(4.08lbs.)
Terminals	+250 Faston/-187 Faston
Internal Resistance	≤27mΩ (Fully Charged )
Max. Discharge Current	82.5 A (5 sec.)
Maximum Charge Current	1.65 A
Operating Temperature Range	Charge : 0°C~40°C(32°F~104°F) Discharge : -20°C~50°C(-4°F~122°F) Storage. : -20°C~40°C(-4°F~104°F)
Container Material	Standard: ABS (UL 94-HB) BP5.5-12RT Optional: Flame Retardant ABS(UL 94-V0) BP5.5-12RTFR



- IEC61056-1
- JIS C 8702-1
- GB/T 19639.1

### DIMENSION(mm/inch)

### OUTER DIMENSIONS

### TERMINAL TYPE

#### Length

140±1.5 (5.51±0.06)

#### Width

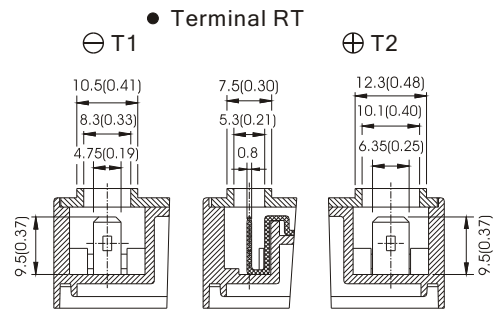
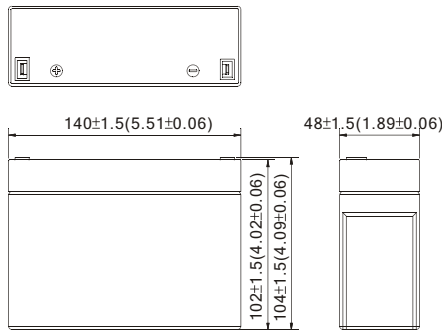
48±1.5 (1.89±0.06)

#### Container Height

102±1.5 (4.02±0.06)

#### Total Height

104±1.5 (4.09±0.06)



### Constant power discharge characteristics at 25 °C/77 °F

Unit: W

Discharge Time F.V. (V/cell)	5 Min	10 Min	15 Min	30 Min	1 Hr	3 Hr	5 Hr	10 Hr	20 Hr
1.80V	198.9	146.4	117.3	69.8	40.0	16.0	11.05	6.18	3.25
1.75V	230.2	158.6	122.7	72.4	41.2	16.4	11.22	6.27	3.30
1.70V	244.5	164.3	126.5	74.1	42.0	16.5	11.28	6.30	3.31
1.65V	255.5	168.2	129.4	75.1	42.5	16.6	11.32	6.32	3.32
1.60V	264.0	171.6	132.0	75.9	42.9	16.7	11.35	6.32	3.32

### Constant current discharge characteristics at 25 °C/77 °F

Unit: A

Discharge Time F.V. (V/cell)	5 Min	10 Min	15 Min	30 Min	1 Hr	3 Hr	5 Hr	10 Hr	20 Hr
1.80V	17.9	12.9	10.2	5.92	3.36	1.34	0.921	0.515	0.271
1.75V	21.1	14.0	10.7	6.14	3.46	1.36	0.935	0.522	0.275
1.70V	22.4	14.5	11.0	6.28	3.53	1.37	0.940	0.525	0.276
1.65V	23.4	14.8	11.3	6.37	3.57	1.38	0.943	0.527	0.277
1.60V	24.2	15.1	11.5	6.43	3.61	1.39	0.946	0.527	0.277

All data and artworks shall be changed without prior notice, BB reserves the right to explain and update the information contained herein.