

---

**Using the same antenna for M24LRXXE-R and M24SRXX-Y  
Dual Interface EEPROM families**

---

**Introduction**

The purpose of this document is to explain why the different tuning capacitance allows customers to use the same 13.56 MHz antenna design for M24LRXXE-R ISO15693 and M24SRXX-Y ISO14443 Dynamic NFC/RFID tag IC families. This document clarifies also the reference value of the tuning capacitance for M24LRXXE-R and M24SRXX-Y antenna design.

*Table 1* lists the products concerned by this application note.

**Table 1. Applicable products**

Type	Applicable products
NFC/RFID Tag ICs	M24LR, M24SR series

# 1 Antenna tuning frequency and performance

M24LRXXE-R and M24SRXX-Y ICs are passive RFID memories powered by the RF magnetic field generated by the reader. Tag to reader communication is achieved by means of M24SRXX-R and M24SRXX-Y impedance modulation mechanism, called load modulation or backscattering.

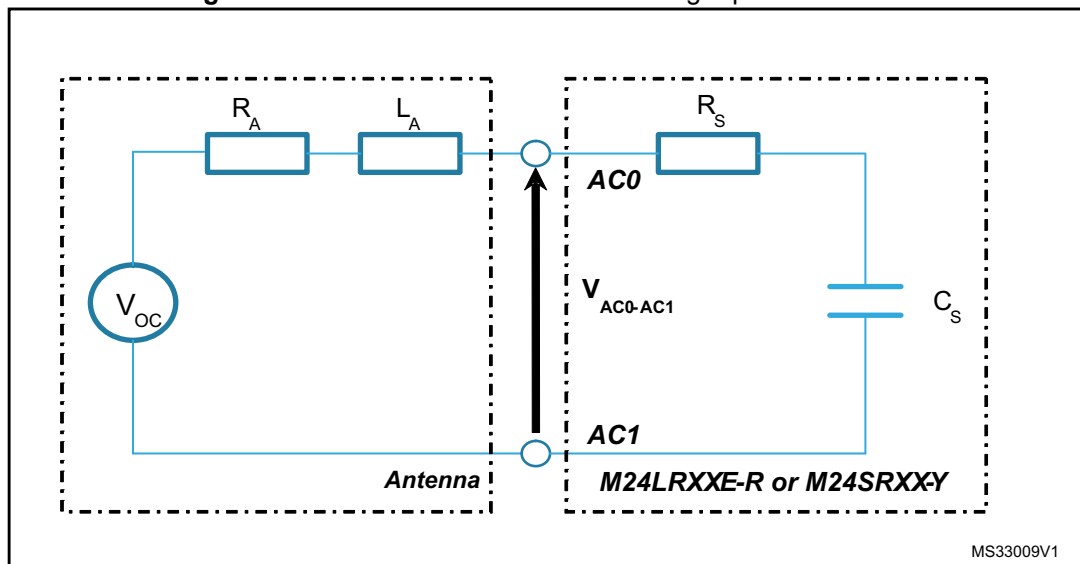
Maximizing the tag operating distance requires maximizing the powering distance but also the tag to reader link. To achieve these requirements, STMicroelectronics recommends a tuning frequency:

- 13.56MHz and 14MHz for RFID tags based on M24LRXXE-R family,
- 14MHz and 14.4MHz for RFID tags based on M24SRXX-R family.

## 2 Tuning capacitance dependency for using the same antenna design

*Figure 1* here after shows the equivalent circuit of an M24LRXXE-R or an M24SRXX-R mounted on a loop antenna in the presence of a sinusoidal magnetic field.

**Figure 1.** M24LRXXE-R or M24SRXX-R tag equivalent Circuit



$V_{OC}$  represents the open circuit voltage available from the antenna. It depends on the magnetic field strength, the antenna size and number of turns.

The tag antenna impedance is given by  $Z_A = R_A + j \cdot L_A \cdot \omega$ , where  $L_A$  is the antenna inductance.

The M24LRXXE-R or M24SRXX-Y impedance is given by  $Z_S = R_S + j \cdot 1/C_S \cdot \omega$  where  $R_S$  represents the power consumption of the chip, and  $C_S$  represents the serial equivalent tuning capacitance.

The tuning frequency of the tag described in *Figure 1* is defined by the following *Equation 1*:

### Equation 1

$$f_{\text{tun}} = \frac{1}{2\pi \sqrt{L_A \cdot C_S}}$$

Let's consider now, the tuning frequency of an M24LRXXE-R based tag ( $F_{\text{tun\_M24LR}}$ ) and the tuning frequency of an M24SRXX-Y based tag ( $F_{\text{tun\_M24SR}}$ ) when using the same antenna. They are respectively given by *Equation 2* and *Equation 3*:

**Equation 2**

$$f_{\text{tun}_{M24LR}} = \frac{1}{2\pi\sqrt{L_A \cdot C_{S_{M24LR}}}}$$

**Equation 3**

$$f_{\text{tun}_{M24SR}} = \frac{1}{2\pi\sqrt{L_A \cdot C_{S_{M24SR}}}}$$

Dividing *Equation 2* by *Equation 3* leads to:

**Equation 4**

$$\frac{f_{\text{tun}_{M24LR}}}{f_{\text{tun}_{M24SR}}} = \frac{2\pi\sqrt{L_A \cdot C_{S_{M24SR}}}}{2\pi\sqrt{L_A \cdot C_{S_{M24LR}}}} = \sqrt{\frac{C_{S_{M24SR}}}{C_{S_{M24LR}}}}$$

or, after simplification, to *Equation 5*:

**Equation 5**

$$\frac{C_{S_{M24SR}}}{C_{S_{M24LR}}} = \left(\frac{f_{\text{tun}_{M24LR}}}{f_{\text{tun}_{M24SR}}}\right)^2$$

Respecting the tuning frequencies defined in section 1) leads to the following relationship:

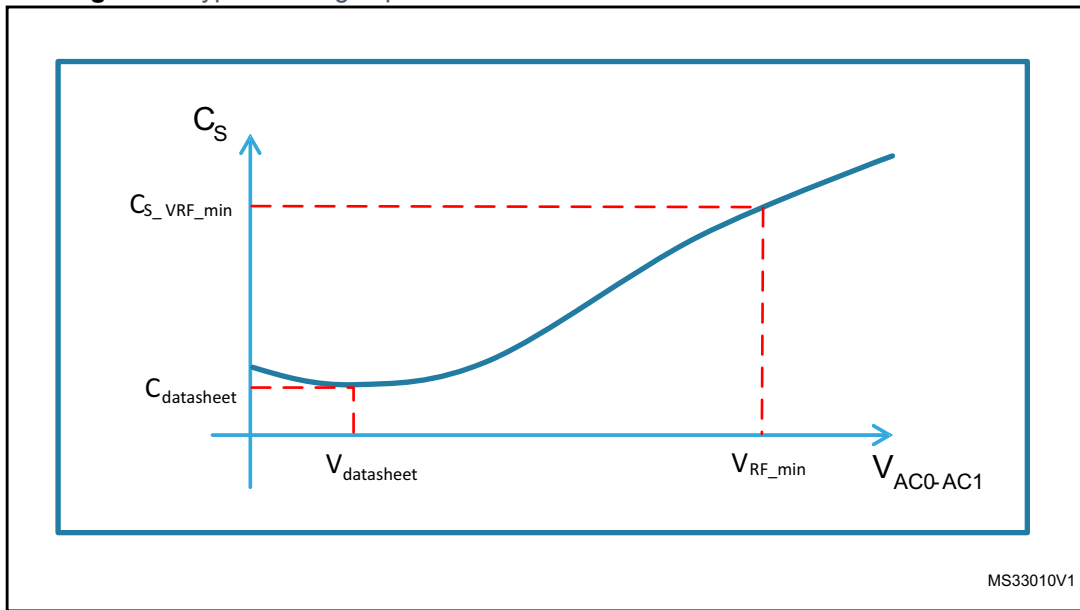
$$\frac{C_{S_{M24SR}}}{C_{S_{M24LR}}} = \left(\frac{13.8\text{MHz}}{14.2\text{MHz}}\right)^2 \cong 0.94$$

The M24SRXX-Y and M24LRXXE-R internal tuning capacitance has been designed following this rule offering to customers a simple way to use the M24LRXXE-R or M24SRXX-Y Dual Interface EEPROMs in their application without changing their antenna design.

### 3 Tuning capacitance specification vs tuning reference value

Figure 2 shows the serial equivalent tuning capacitance typical variation of either the M24LRXXE-R or M24SRXX-Y according to the  $V_{AC0-AC1}$  RF input voltage:

Figure 2. Typical tuning capacitance variation of M24LRXXE-R and M24SRXX-Y



$V_{RF\_min}$  corresponds to the minimum RF voltage between AC0 and AC1 RF inputs of the RFID memory chips. The corresponding tuning capacitance  $C_{S\_VRF\_min}$  must be taken as reference for antenna design: in other words, customers have to design antennas which inductance satisfies the following relationship, showed by Equation 6:

#### Equation 6

$$f_{tun_{M24SR}} = \frac{1}{2\pi \sqrt{L_A \cdot C_{S_{VRF\_min}}}} \rightarrow L_A = \frac{1}{C_{S_{VRF\_min}} \cdot \omega^2}$$

$V_{datasheet}$  corresponds to the voltage level used for better correlation with measurements in production.

*Table 2* here after summarizes the M24LRXXE-R and M24SRXX-Y tuning parameters

**Table 2. Tuning parameters for M24LRXXE-R and M24SRXX-R**

	<b>M24LRXXE-R</b>	<b>M24SRXX-R</b>
Antenna tuning frequency	13.56MHz-14MHz	14MHz-14.4MHz
$C_{datasheet}$	27.5pF	25pF
$C_{S\_VRF\_min}$	29pF	27.3pF

For more information about the target tuning capacitance for antenna design, please refer to the application note AN3942 "M24LR series internal capacitance considerations for antenna tuning" that discusses this point in details for the M24LR series.

## 4 Revision history

Table 3. Document revision history

Date	Revision	Changes
19-Dec-2013	1	Initial release.

**Please Read Carefully:**

Information in this document is provided solely in connection with ST products. STMicroelectronics NV and its subsidiaries ("ST") reserve the right to make changes, corrections, modifications or improvements, to this document, and the products and services described herein at any time, without notice.

All ST products are sold pursuant to ST's terms and conditions of sale.

Purchasers are solely responsible for the choice, selection and use of the ST products and services described herein, and ST assumes no liability whatsoever relating to the choice, selection or use of the ST products and services described herein.

No license, express or implied, by estoppel or otherwise, to any intellectual property rights is granted under this document. If any part of this document refers to any third party products or services it shall not be deemed a license grant by ST for the use of such third party products or services, or any intellectual property contained therein or considered as a warranty covering the use in any manner whatsoever of such third party products or services or any intellectual property contained therein.

**UNLESS OTHERWISE SET FORTH IN ST'S TERMS AND CONDITIONS OF SALE ST DISCLAIMS ANY EXPRESS OR IMPLIED WARRANTY WITH RESPECT TO THE USE AND/OR SALE OF ST PRODUCTS INCLUDING WITHOUT LIMITATION IMPLIED WARRANTIES OF MERCHANTABILITY, FITNESS FOR A PARTICULAR PURPOSE (AND THEIR EQUIVALENTS UNDER THE LAWS OF ANY JURISDICTION), OR INFRINGEMENT OF ANY PATENT, COPYRIGHT OR OTHER INTELLECTUAL PROPERTY RIGHT.**

**ST PRODUCTS ARE NOT DESIGNED OR AUTHORIZED FOR USE IN: (A) SAFETY CRITICAL APPLICATIONS SUCH AS LIFE SUPPORTING, ACTIVE IMPLANTED DEVICES OR SYSTEMS WITH PRODUCT FUNCTIONAL SAFETY REQUIREMENTS; (B) AERONAUTIC APPLICATIONS; (C) AUTOMOTIVE APPLICATIONS OR ENVIRONMENTS, AND/OR (D) AEROSPACE APPLICATIONS OR ENVIRONMENTS. WHERE ST PRODUCTS ARE NOT DESIGNED FOR SUCH USE, THE PURCHASER SHALL USE PRODUCTS AT PURCHASER'S SOLE RISK, EVEN IF ST HAS BEEN INFORMED IN WRITING OF SUCH USAGE, UNLESS A PRODUCT IS EXPRESSLY DESIGNATED BY ST AS BEING INTENDED FOR "AUTOMOTIVE, AUTOMOTIVE SAFETY OR MEDICAL" INDUSTRY DOMAINS ACCORDING TO ST PRODUCT DESIGN SPECIFICATIONS. PRODUCTS FORMALLY ESCC, QML OR JAN QUALIFIED ARE DEEMED SUITABLE FOR USE IN AEROSPACE BY THE CORRESPONDING GOVERNMENTAL AGENCY.**

Resale of ST products with provisions different from the statements and/or technical features set forth in this document shall immediately void any warranty granted by ST for the ST product or service described herein and shall not create or extend in any manner whatsoever, any liability of ST.

ST and the ST logo are trademarks or registered trademarks of ST in various countries.

Information in this document supersedes and replaces all information previously supplied.

The ST logo is a registered trademark of STMicroelectronics. All other names are the property of their respective owners.

© 2013 STMicroelectronics - All rights reserved

STMicroelectronics group of companies

Australia - Belgium - Brazil - Canada - China - Czech Republic - Finland - France - Germany - Hong Kong - India - Israel - Italy - Japan - Malaysia - Malta - Morocco - Philippines - Singapore - Spain - Sweden - Switzerland - United Kingdom - United States of America

[www.st.com](http://www.st.com)