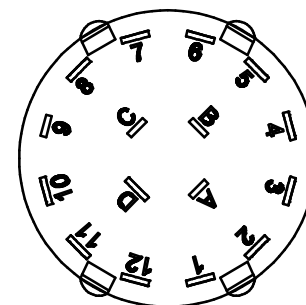
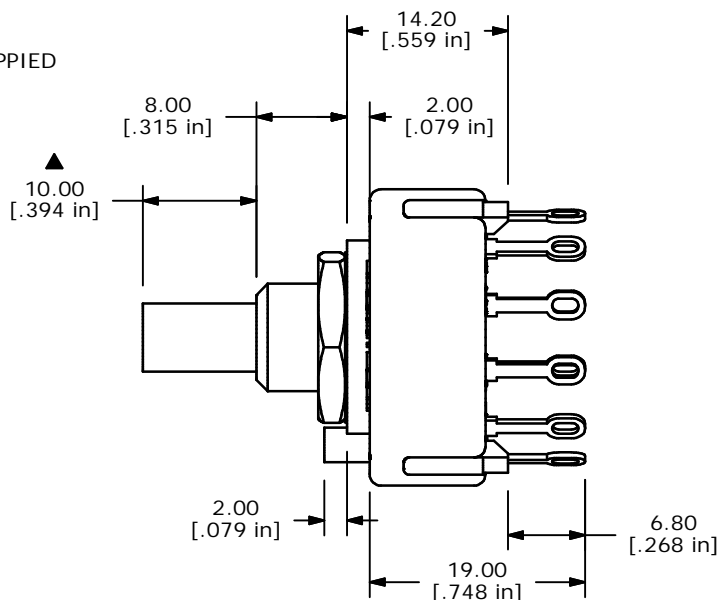
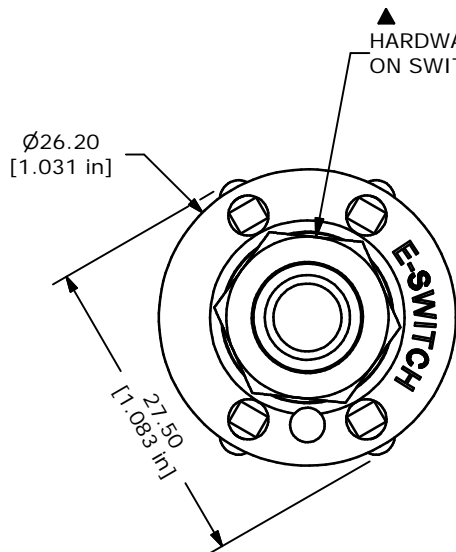
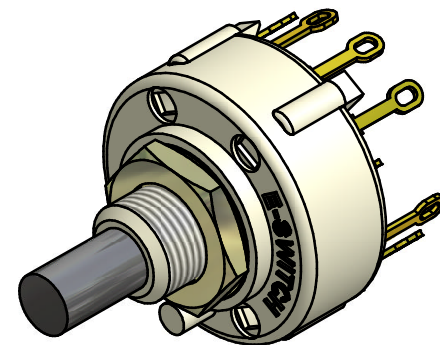


CONTACT CONFIGURATION  
TIMING (BBM) NON-SHORTING



- NOTE:
1. ALL DIMENSIONS IN MM[INCH].
  2. GENERAL TOLERANCE: X.X=±0.4  
X.XX=±0.25
  3. TERM. NOS. FOR REFERENCE ONLY.
  4. CONTACT MATERIAL: GOLD FLASH
  5. CONTACT RATING: 150MILLIAMPS, 250VAC/DC  
350MILLIAMPS, 110VAC/DC
  6. CONTACT RATING (NON-SWITCHING) 5A
  7. OPERATING FORCE 425±100CM/STANDARD
  8. OPERATING TEMP: -30°C TO 85°C
  - ▲ 9. CIRCUIT SP: 11 POSITION 30° INDEX.
  10. DIELECTRIC STRENGTH: 1000V RMS MIN.@ SEA LEVEL.
  - ▲ 11. HARDWARE SUPPLIED ON SWITCH:  
STOP RING, LOCKWASHER, HEXNUT
  12. ▲ DENOTES CRITICAL PARAMETER.

**E-SWITCH®**

A	13550	RELEASED FOR PRODUCTION	10/24/03	AR
REV	PCR NO	DESCRIPTION	DATE	BY

TITLE KC51B10.001NLF				
SCALE	DATE	DR	DWG	REV
1.5:1	10/22/03	AR	G510600	A

THE INFORMATION CONTAINED IN THIS DOCUMENT IS PROPRIETARY TO E-SWITCH AND IS NOT TO BE COPIED OR TRANSFERRED