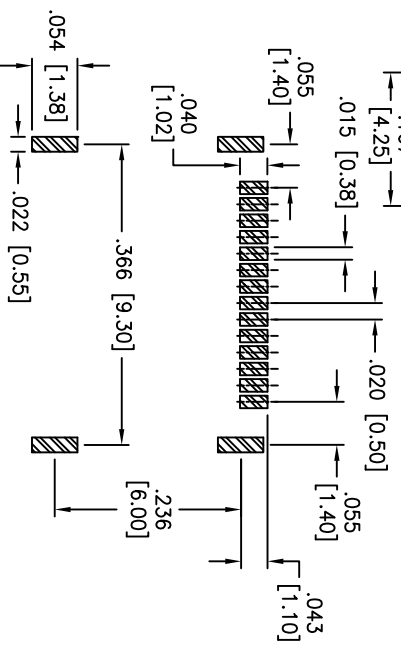
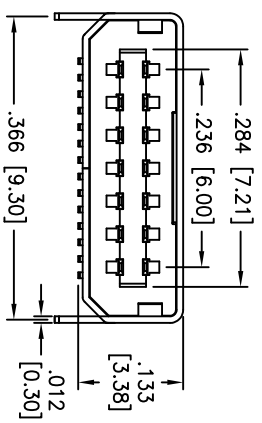
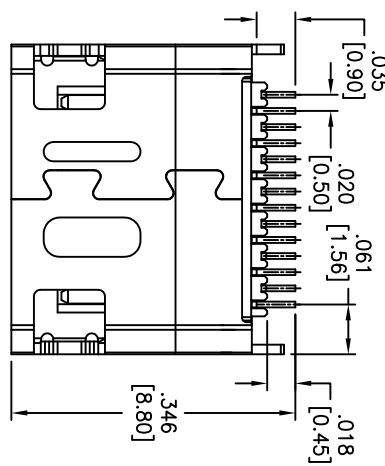
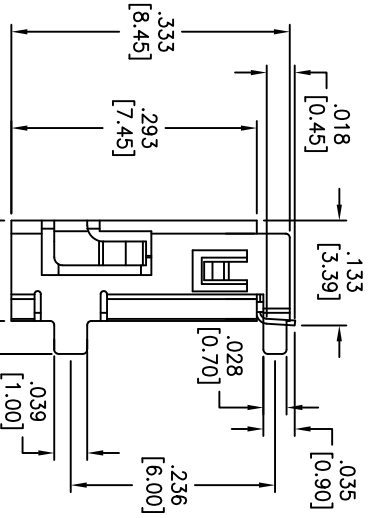
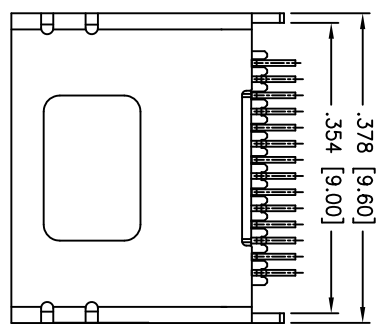
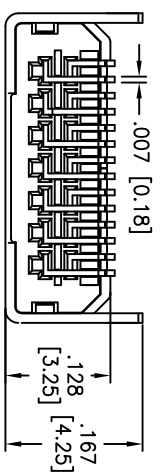


APPROVED: _____ TITLE: _____
 DATE: _____

Rev	AWO #	Description	Date	Appr
-		RELEASED	2/09/10	
A		ADDED DIMS	3/09/10	
B		REVISED DIMS	4/15/10	
C		REVISED SHAPE	11/23/10	
D		ADDED DIM.	3/08/11	



RECOMMENDED PCB LAYOUT

SPECIFICATIONS:
 Material:
 Insulator: LCP, glass reinforced, rated UL 94V-0
 Insulator color: Black
 Contacts: Phosphor Bronze
 Shell: Brass, Nickel plated
 Plating:

Gold Flash over Nickel underplate on contact area,
 Tin over Copper underplate on tails.

Electrical:
 Current rating: 1 Amp max.
 Contact resistance: 30 mohms max.
 Insulation resistance: 1000 Mohms min. @ 500 VDC
 Dielectric withstanding voltage: 500 VAC for 1 minute

Temperature Rating:
 Operating temperature: -55°C to +105°C

Environmental:
 Lead free, RoHS compliant.

Recommended soldering temp: 260°C for 5 sec.



UNLESS OTHERWISE SPECIFIED
 ALL DIMENSIONS ARE MM
 TOLERANCES: EXCEPT AS NOTED
 INCHES

.X	± .10	ØX	± .10
.XX	± .020	ØXX	± .015
.XXX	± .015	ØXXX	± .010

APPROVALS

APPROVALS	DATE
DRAWN	DY
CHECKED	
APPROVED	

ADAM TECH
 909 Railway Avenue, Union, NJ 07083
 Phone: 908-687-5000 Fax: 908-687-5710

TITLE: MINI USB, 14P, FEMALE, SINGLE PORT
 RIGHT ANGLE, THRU-HOLE

SIZE: X
 PART NO.: MUSB-14P-S-RA
 REF: S00079T SCALE: NTS SHEET 1 OF 1