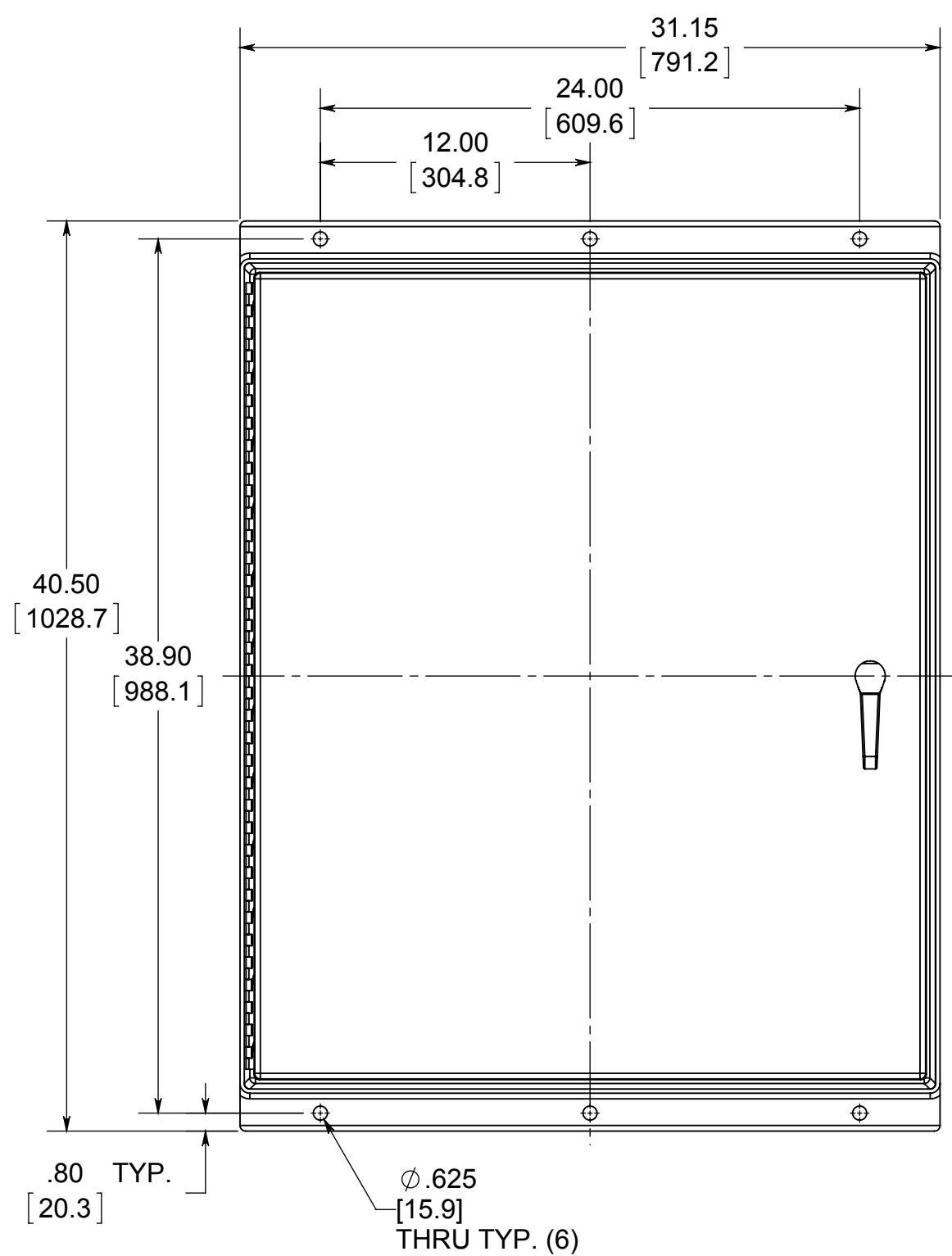
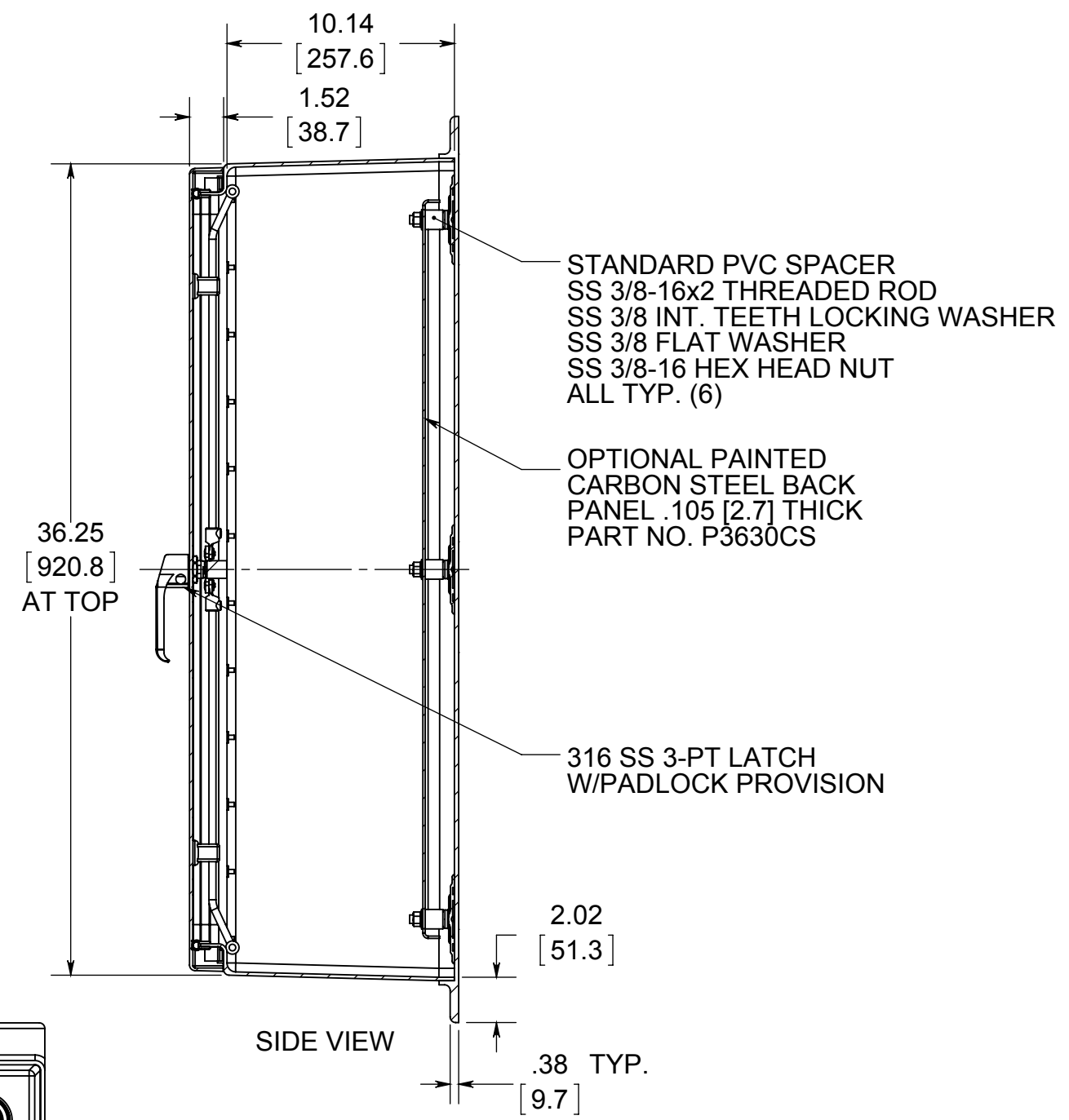


DATE	REV.	DESCRIPTION	DR	CK	REL

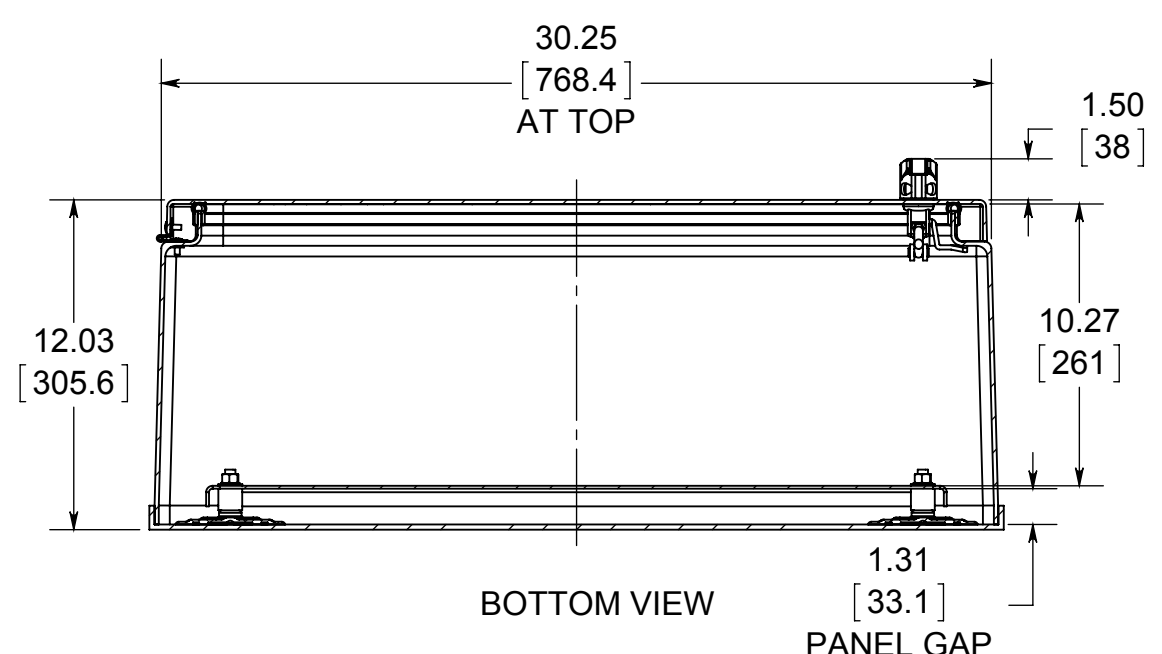


FRONT VIEW WITH COVER



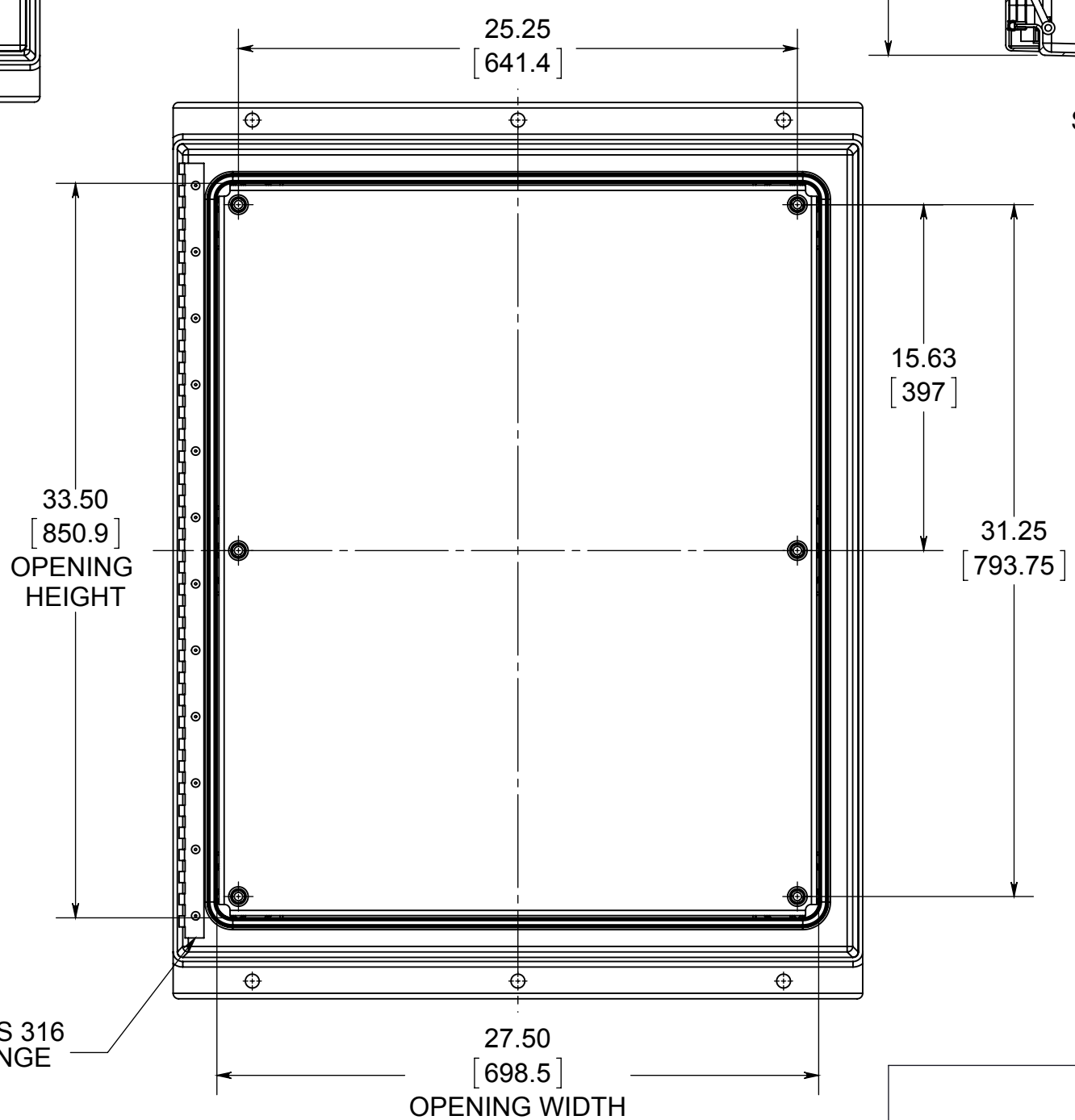
SIDE VIEW

- STANDARD PVC SPACER
- SS 3/8-16x2 THREADED ROD
- SS 3/8 INT. TEETH LOCKING WASHER
- SS 3/8 FLAT WASHER
- SS 3/8-16 HEX HEAD NUT
- ALL TYP. (6)
- OPTIONAL PAINTED CARBON STEEL BACK PANEL .105 [2.7] THICK
- PART NO. P3630CS



BOTTOM VIEW

PANEL GAP

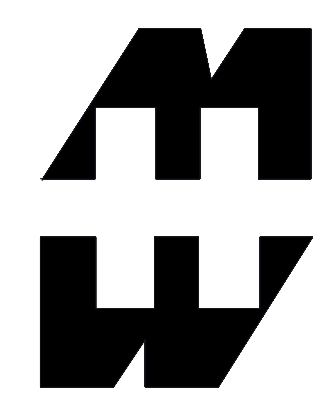


FRONT VIEW WITH COVER REMOVED

CONTINUOUS 316 SS PIANO HINGE

NOM. .19 [4.8] WALL THICKNESS

MATERIAL:  
 BOX- GEL-COAT, FIBERGLASS, RESIN  
 COVER- GEL-COAT, FIBERGLASS, RESIN  
 EPDM GASKET SEAL



**PART No. PJW363010L3PT**  
 for more information visit  
[www.hammfg.com](http://www.hammfg.com)  
 Data subject to change without notice  
 Drawing Not to Scale