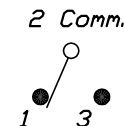
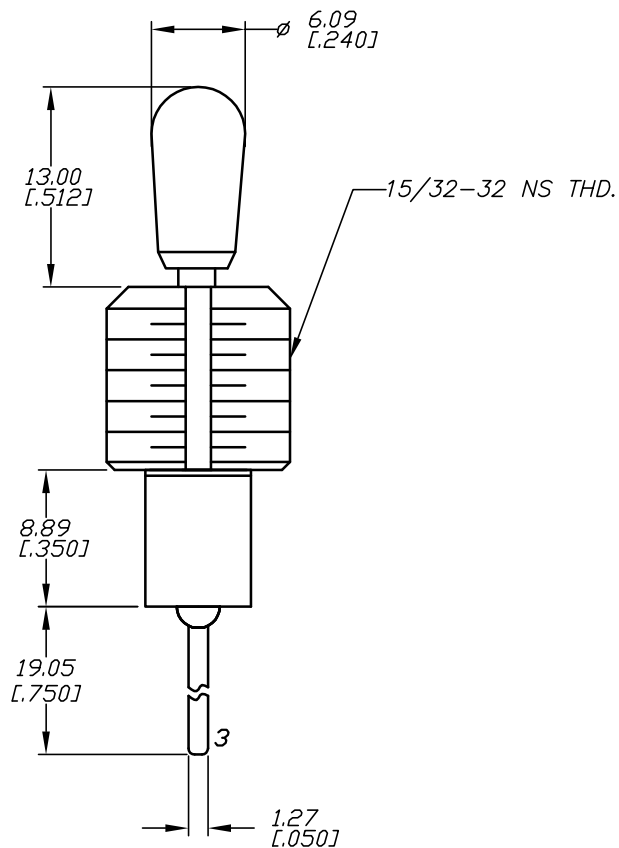
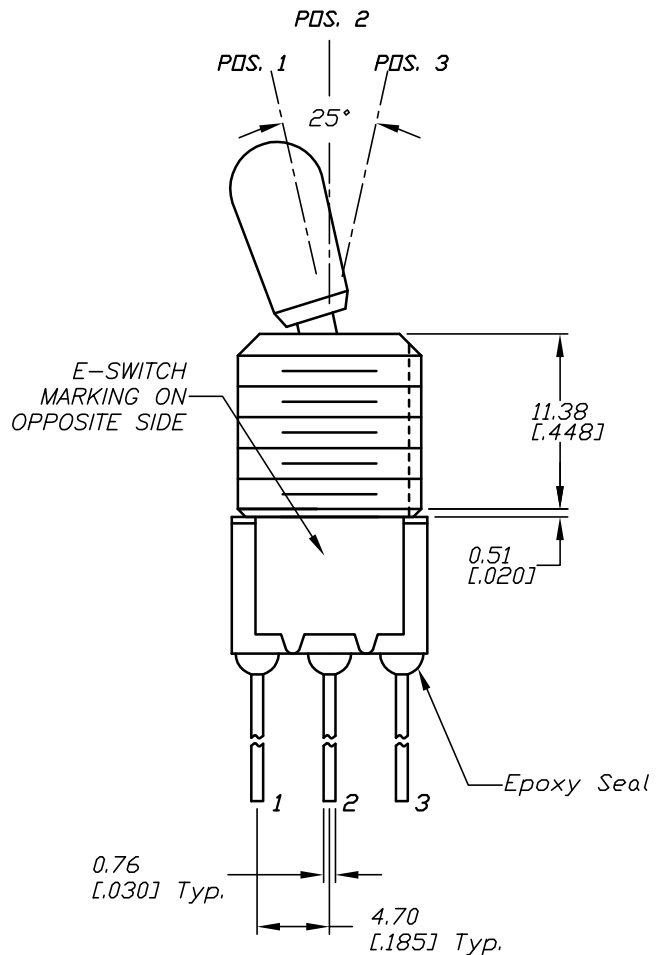


NOTES:

1. ALL DIMENSIONS IN MM [INCH]
2. GENERAL TOLERANCE: 0.0=±0.4
0.00=±0.25
3. TERM. NOS. FOR REF. ONLY
4. RATING: 0.4(VA) MAX. @20V MAX. (AC or DC)
5. ELECTRICAL LIFE: 50,000 MAKE-AND-BREAK CYCLES AT FULL LOAD.
6. INSULATION RESISTANCE: 1,000M OHM MIN.
7. DIELECTRIC STRENGTH: 1000V RMS @SEA LEVEL
8. OPERATING TEMP.: -30°C to 85°C



CIRCUIT: SPDT CONTACT CONFIGURATION

SWITCH FUNCTION		
PDS. 1	PDS. 2	PDS. 3
ON	OFF	ON
2-3	OPEN	2-1

E-SWITCH®

B	14164	UPDATE ACTUATOR	7/13/04	AR
A	10646	RELEASED FOR PRODUCTION	5/25/00	MM
REV.	ECN No.	DESCRIPTION	DATE	CHK'D

THE INFORMATION CONTAINED IN THIS DOCUMENT IS PROPRIETARY TO E-SWITCH AND IS NOT TO BE COPIED OR TRANSFERRED

TITLE					100 SP-3 T7 B13 M5-1 R E				
SCALE	DATE	DR	DWG	REV	2:1	5/25/00	MM	T113040	B