



SANYO Semiconductors

DATA SHEET

An ON Semiconductor Company

LB1638MC

Monolithic Digital IC — Low-Voltage, Low-Saturation Bidirectional Motor Driver

Overview

The LB1638MC are low-saturation bidirectional motor driver ICs for use in low-voltage applications. At an I_O of 500mA, they have a low saturation output of $V_O(\text{sat}) = 0.75\text{V}$. They are especially suited for use in compact motor of portable equipment.

Features

- Low voltage operation (2.5V min.)
- Low saturation voltage (upper transistor + lower transistor residual voltage; at $I_O = 500\text{mA}$, $V_O(\text{sat}) = 0.75\text{V}$ typ.)
- Low current drain at standby mode ($I_{\text{CCO}} = 0.1\mu\text{A}$ typ. or less)
- Separate logic power supply and motor power supply
- Brake function
- Built-in spark killer diodes

Specifications

Absolute Maximum Ratings at $T_a = 25^\circ\text{C}$

Parameter	Symbol	Conditions	Ratings	Unit
Maximum supply voltage	$V_{\text{CC max}}$		-0.3 to +10.5	V
	$V_{\text{S max}}$		-0.3 to +10.5	V
Output applied voltage	V_{OUT}		-0.3 to $V_{\text{CC}} + V_{\text{SF}}$	V
Input applied voltage	V_{IN}		-0.3 to +10.0	V
Ground pin flow-out current	I_{GND}		1.0	A
Allowable power dissipation	$P_d \text{ max}$	Mounted on a specified board	820	mW
Operating temperature	T_{opr}		-20 to +75	$^\circ\text{C}$
Storage temperature	T_{stg}		-40 to +125	$^\circ\text{C}$

* Specified board: 114.3mm × 76.1mm × 1.6mm, glass epoxy board.

Caution 1) Absolute maximum ratings represent the value which cannot be exceeded for any length of time.

Caution 2) Even when the device is used within the range of absolute maximum ratings, as a result of continuous usage under high temperature, high current, high voltage, or drastic temperature change, the reliability of the IC may be degraded. Please contact us for the further details.

■ Any and all SANYO Semiconductor Co.,Ltd. products described or contained herein are, with regard to "standard application", intended for the use as general electronics equipment. The products mentioned herein shall not be intended for use for any "special application" (medical equipment whose purpose is to sustain life, aerospace instrument, nuclear control device, burning appliances, transportation machine, traffic signal system, safety equipment etc.) that shall require extremely high level of reliability and can directly threaten human lives in case of failure or malfunction of the product or may cause harm to human bodies, nor shall they grant any guarantee thereof. If you should intend to use our products for new introduction or other application different from current conditions on the usage of automotive device, communication device, office equipment, industrial equipment etc. , please consult with us about usage condition (temperature, operation time etc.) prior to the intended use. If there is no consultation or inquiry before the intended use, our customer shall be solely responsible for the use.

■ Specifications of any and all SANYO Semiconductor Co.,Ltd. products described or contained herein stipulate the performance, characteristics, and functions of the described products in the independent state, and are not guarantees of the performance, characteristics, and functions of the described products as mounted in the customer's products or equipment. To verify symptoms and states that cannot be evaluated in an independent device, the customer should always evaluate and test devices mounted in the customer's products or equipment.

LB1638MC

Allowable Operating Conditions at $T_a = 25^\circ\text{C}$

Parameter	Symbol	Conditions	Ratings	Unit
Supply voltage range	V_{CC}		2.5 to 9.0	V
	V_S		2.2 to 9.0	V
Input high-level voltage	V_{IH}		2.0 to 9.0	V
Input low-level	V_{IL}		-0.3 to +0.7	V

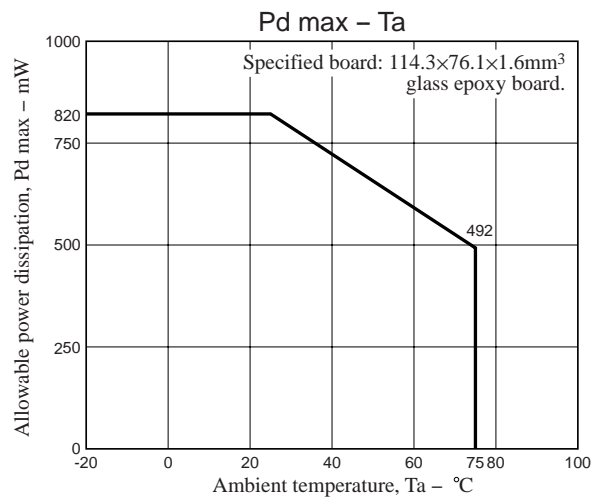
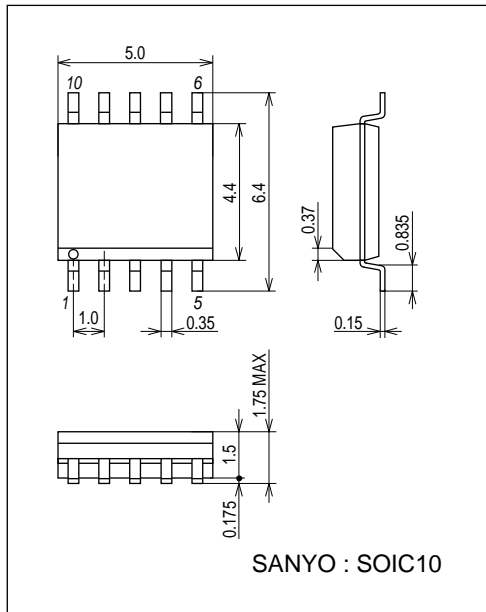
Electrical Characteristics at $T_a = 25^\circ\text{C}$, $V_{CC} = 5\text{V}$

Parameter	Symbol	Conditions	Ratings			Unit
			min	typ	max	
Current drain	I_{CC0}	$V_{IN1,2}$ $I_{CC} + I_S$			10	μA
	I_{CC1}	$V_{IN1} = 3\text{V}$, $V_{IN2} = 0\text{V}$ $I_{CC} + I_S$			20	mA
	I_{CC2}	$V_{IN1,2} = 3\text{V}$ $I_{CC} + I_S$			40	mA
Output saturation voltage (upper + lower)	V_{OUT1}	$I_{OUT} = 200\text{mA}$		0.25	0.5	V
	V_{OUT2}	$I_{OUT} = 500\text{mA}$		0.70	1.3	V
Output pin voltage difference		$I_O = 200\text{mA}$			0.1	V
Output sustain voltage	$V_{O(sus)}$	$I_{OUT} = 500\text{mA}$	9			V
Input current	I_{IN}	$V_{IN} = 7\text{V}$, $V_{CC} = 7\text{V}$			0.5	mA
Spark killer diode						
Reverse current	$I_S(\text{leak})$	V_{CC} , $V_S = 7\text{V}$			10	μA
Forward voltage	V_{SF}	$I_{OUT} = 200\text{mA}$			1.7	V

Package Dimensions

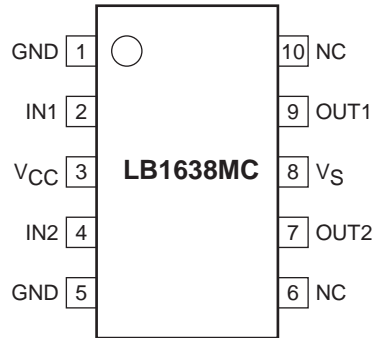
unit : mm (typ)

3426



LB1638MC

Pin Assignment

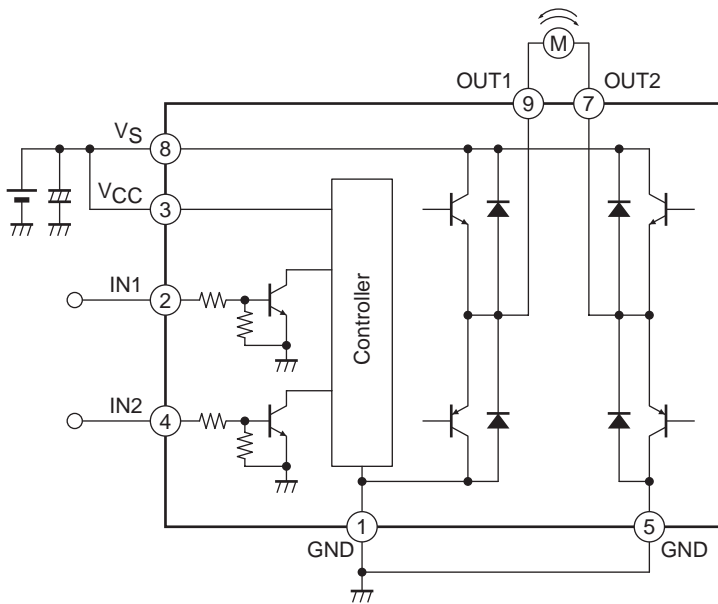


Note: both ground pins must be grounded.

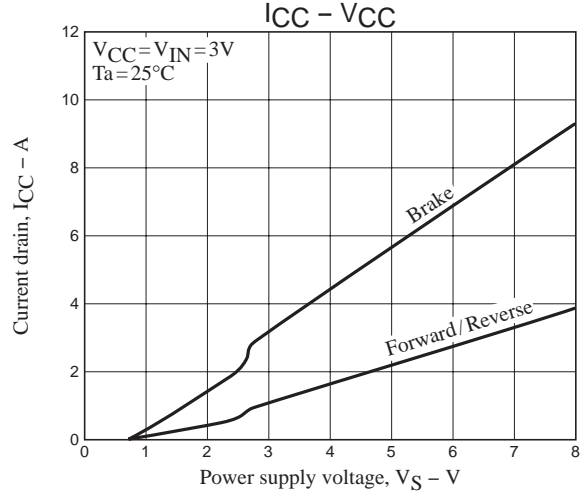
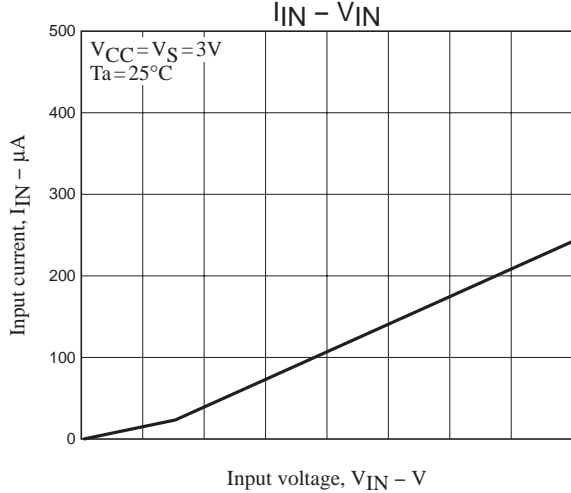
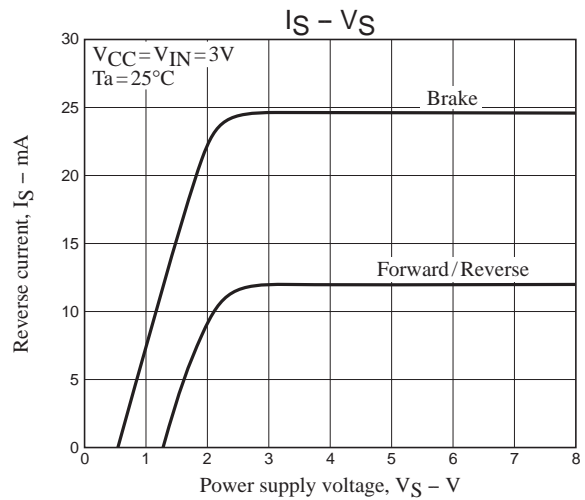
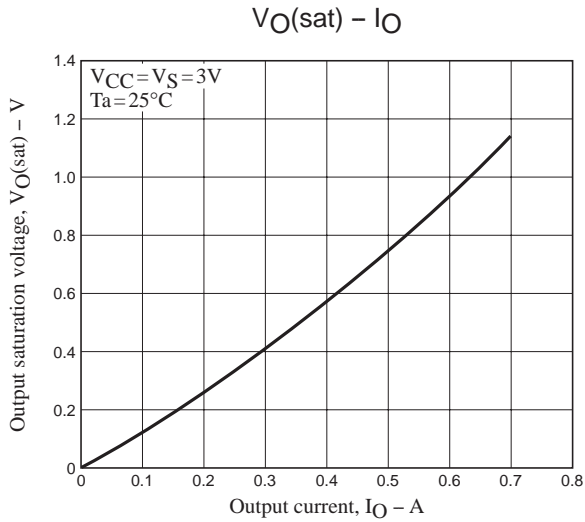
Truth Table

IN1	IN2	OUT1	OUT2	MMode
H	L	H	L	Forward
L	H	L	H	Reverse
H	H	L	L	Brake
L	L	OFF	OFF	Standby

Block Diagram and Sample Application Circuit



Note: When using the same power supply for VS and VCC, short the VCC and VS pins to each other or insert a capacitor in the VCC line.



- SANYO Semiconductor Co.,Ltd. assumes no responsibility for equipment failures that result from using products at values that exceed, even momentarily, rated values (such as maximum ratings, operating condition ranges, or other parameters) listed in products specifications of any and all SANYO Semiconductor Co.,Ltd. products described or contained herein.
- SANYO Semiconductor Co.,Ltd. strives to supply high-quality high-reliability products, however, any and all semiconductor products fail or malfunction with some probability. It is possible that these probabilistic failures or malfunction could give rise to accidents or events that could endanger human lives, trouble that could give rise to smoke or fire, or accidents that could cause damage to other property. When designing equipment, adopt safety measures so that these kinds of accidents or events cannot occur. Such measures include but are not limited to protective circuits and error prevention circuits for safe design, redundant design, and structural design.
- In the event that any or all SANYO Semiconductor Co.,Ltd. products described or contained herein are controlled under any of applicable local export control laws and regulations, such products may require the export license from the authorities concerned in accordance with the above law.
- No part of this publication may be reproduced or transmitted in any form or by any means, electronic or mechanical, including photocopying and recording, or any information storage or retrieval system, or otherwise, without the prior written consent of SANYO Semiconductor Co.,Ltd.
- Any and all information described or contained herein are subject to change without notice due to product/technology improvement, etc. When designing equipment, refer to the "Delivery Specification" for the SANYO Semiconductor Co.,Ltd. product that you intend to use.
- Upon using the technical information or products described herein, neither warranty nor license shall be granted with regard to intellectual property rights or any other rights of SANYO Semiconductor Co.,Ltd. or any third party. SANYO Semiconductor Co.,Ltd. shall not be liable for any claim or suits with regard to a third party's intellectual property rights which has resulted from the use of the technical information and products mentioned above.

This catalog provides information as of April, 2012. Specifications and information herein are subject to change without notice.