

Features

- ▶ Ultra high stability
- ▶ Compact 14-pin DIL package (SMD optional)
- ▶ 5.0V supply voltage
- ▶ Sinewave output
- ▶ Very fast warmup
- ▶ Low power consumption
- ▶ Wide temperature range available

Standard Frequencies

| Frequencies in MHz | |
|--------------------|----------|
| 10.00000 | 20.00000 |
| 12.00000 | 26.00000 |
| 12.80000 | 40.00000 |
| 14.74600 | 52.00000 |
| 16.00000 | 54.00000 |

Specifications

| Parameters | Product | Option Codes |
|---------------------------------------------------------------------------------------------------------------------------------------------------------------------------------------|-----------------------|--------------------|
| | SCOCXOVS | |
| Frequency range: 10.0kHz ~ 54.0MHz | ■ | |
| Frequency stability: ±0.3ppm max first year ±2.5ppm max in 10 years ±0.1ppm over V_{DD} ±0.2V ±10ppb max vs load ±5% | ■ ■ ■ ■ | |
| Short term stability: 5×10^{-10} , τ 0.1 to 30s 5×10^{-11} typ at 1s | ■ ■ | |
| Temperature stability: ±0.025ppm max, 0 to +60°C ±0.05ppm max, -20 to +70°C ±0.1ppm max, -40 to +85°C | □ □ □ | A B C |
| Storage temperature range: -55 to +125°C | ■ | |
| Output waveform: Sinewave from 50Ω Harmonics < -10dBc Spurii < -70dBc | ■ | |
| Level: ≥ 4dBm / 50Ω (≤20MHz) ≥ 0dBm / 50Ω (>20MHz) | ■ ■ | |
| Frequency adjustment: ±2.5ppm min Control voltage 0.5~5.0V, pin 1 Variable resistor 0~10kΩ, pins 1 to 7 None (int accuracy ±1.0ppm) None (int accuracy ±0.5ppm) | ■ □ □ □ □ | V5 R1 A B |
| Supply voltage (V_{DD}): +5.0V (±0.2V) | ■ | |
| Input current: 80mA max @ +25°C 110mA max @ -20°C | ■ ■ | |
| Warm up time (secs): current 250mA max @ 25°C to within ±0.1ppm @ 25°C | 10 60 | |
| Phase noise (typ @ 10MHz): -110dBc/Hz @ 10Hz -135dBc/Hz @ 100Hz -145dBc/Hz @ 1kHz -150dBc/Hz @ 10kHz | ■ ■ ■ ■ | |
| Shock & vibration: 5,000G, 0.3ms ½-sine 10.0 ~ 2,000Hz, 20G | ■ ■ | |
| Package: Through hole 14 pin DIL SMD options 1 or 2 | ■ □ | specify |

■ Standard. □ Optional - Please specify required code(s) when ordering

Ordering Information

Product name + option codes + frequency

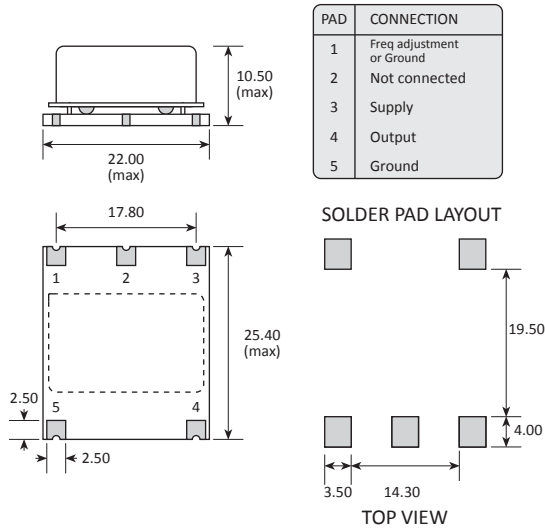
eg: **SCOCXOVS-AR1 10.0MHz**

SCOCXOVS-BV5 16.384MHz

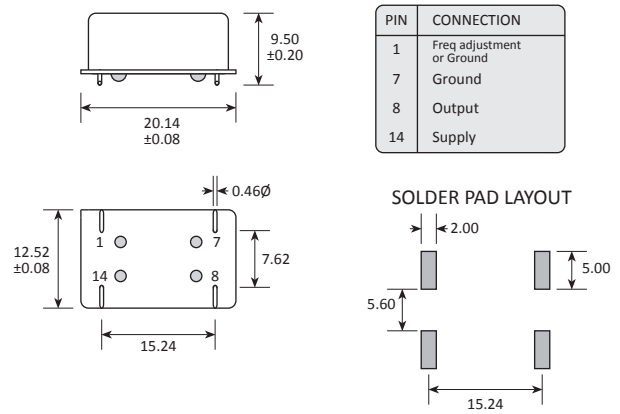
Option code X (eg SCOCXOVS/X) denotes a custom spec.

◆ Product is NOT designed to withstand 260°C reflow processing

Option D1



Option D2



Soldering Profile

