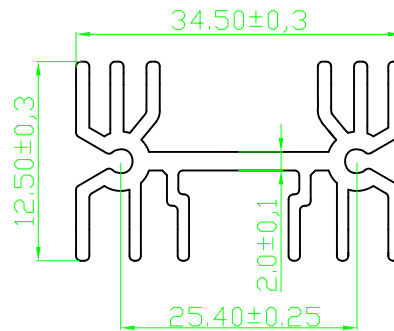
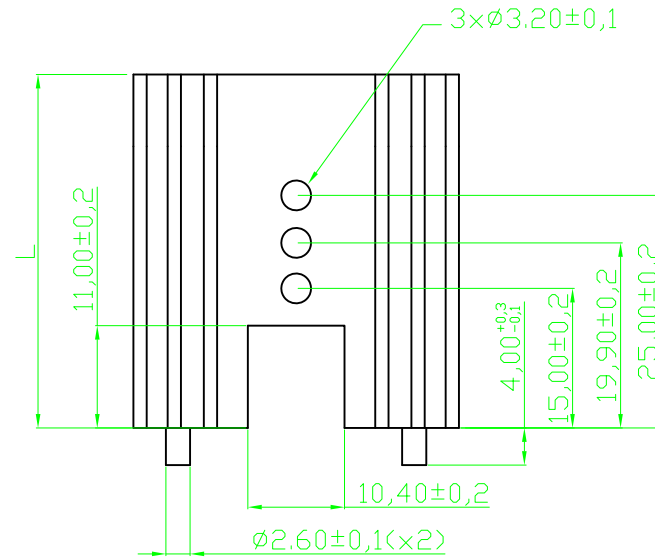


RoHS compliant



Notes
 Material : AL 6063
 Finished : Black Anodized
 Pin : Tin Plated

| Option | L | Thermal resistance(K/W) |
|--------|----|-------------------------|
| V8813W | 25 | 6.5 |
| V8813X | 38 | 5 |
| V8813Y | 50 | 4 |

| | | | | | | | | |
|-----------|-----|-----|-----------------------|------------|------|----------|----------------------------------|---------------------------|
| Scale | 1:1 | | | | | Date | Name | Customer-No. |
| TOLERANCE | | | | | | Drawn | 11.08.2009 | Dean |
| | | | | | | Approved | 08.03.2010 | Andy |
| UNIT | ±x | | | | | | | ASSMANN WSW-No. V8813x |
| DIM | TOL | ② | Modify drawing layout | 08.03.2010 | Dean | | Drawing-No. ASS 0870 HS rev02 | |
| X.° | ±X° | ① | Drawn | 11.08.2009 | Dean | | Replace | Sheet |
| X.X° | ±X° | | | | | | | |
| Angle | TOL | Id. | Modification | Date | Name | | | |

1

2

3

4

5

6

7