
PCB design guidelines for the STM32W108 platform

1 Introduction

STMicroelectronics provides a IEEE 802.15.4 product design engineer with a number of paths towards the successful design of a IEEE 802.15.4-compliant solution based on the STMicroelectronics STM32W108 family of system-on-chip (SoC) platforms. The STM32W108xx kits contain software, hardware, and documentation designed for developers to create applications efficiently on a tested and controlled platform. Once the design team is familiar with ST's STM32W108xx products and the available IEEE 802.15.4 software libraries and stacks, the next step in the design path involves designing application-specific hardware to meet product requirements.

This application note is intended to accompany the reference designs and provide detailed information regarding the design decisions employed within STMicroelectronics designs. In addition, it details the design guidelines for developing an application-specific IEEE 802.15.4 design using an STM32W108xx device.

After reading this document, developers should be able to successfully implement a design with an STM32W108xx device. For further information, visit the STMicroelectronics web site at www.st.com/stm32w.

Due to the application-specific nature of STMicroelectronics reference designs, ST recommends that hardware designers familiarize themselves with the most recent reference design available. This document is applicable to the following STM32W108xx kits:

- STM32W108xx starter kit (part number: STM32W-SK)
- STM32W108xx extension kit (part number: STM32W-EXT)
- STM32W108xx low-cost RF control kit (part number: STM32W-RFCKIT)

Note: The STM32W108 Reference Design is built on a 4-layer, FR-4 epoxy PCB.

The STM32W108-based Reference Design includes the following elements:

- Schematics (in PDF format)
- Bill of materials (BOM)
- Gerber files

While the Reference Design includes most of the information required to start an application-specific design, if additional items needed, please contact STMicroelectronics Customer Support on the STMicroelectronics web site www.st.com/stm32w.

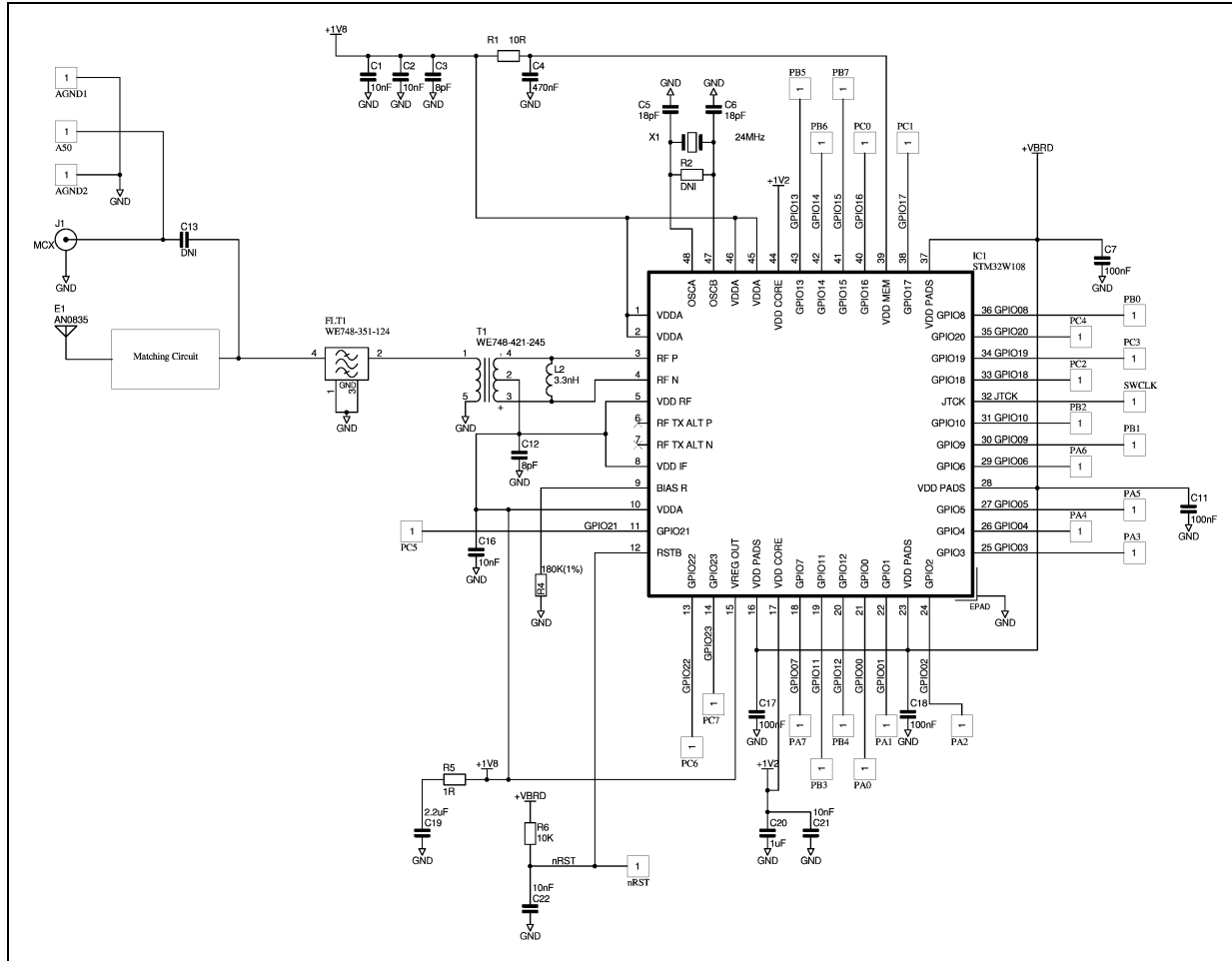
Contents

- 1 Introduction 1**
- 2 Reference design 3**
 - 2.1 RF design guidelines 4
 - 2.1.1 STM32W108 RF ports 4
 - 2.1.2 Optimizing for TX (Boost mode) 4
 - 2.1.3 Matching network circuit design 5
 - 2.1.4 Harmonic filter design 8
 - 2.1.5 Band-pass filter 8
 - 2.1.6 Antenna matching circuit 8
 - 2.2 RF layout guidelines 9
 - 2.2.1 PCB tolerance 9
 - 2.3 Other design considerations 9
- 3 Non-RF design considerations 10**
 - 3.1 High-frequency (24-MHz) crystal reference (X1, C5, and C6) 10
 - 3.2 Optional Low-frequency crystal reference (X2, C27 and C26) 11
 - 3.3 1.8V regulator load capacitor 12
 - 3.4 1.2V regulator loading 12
 - 3.5 1.8V net decoupling 12
 - 3.6 1.8V analog to 1.8V digital filtering 12
 - 3.7 RF test connector 13
- 4 Revision history 13**

2 Reference design

Figure 1 shows a block diagram of the reference design.

Figure 1. Block diagram of STM32W108 reference design (48-pin package)



The STM32W108 reference design uses an external 50/100 Balun as its primary RF component. It provides an unbalanced to differential 50-to-100 Ohms conversion to present the STM32W108 with its optimal load. A single inductor makes up the matching network and optimizes RF performance. A band pass filter keeps the conducted harmonics within FCC and ETSI limits.

Due to the market demand that IEEE 802.15.4 software maximize their communication range, this design has been optimized accordingly. In Boost mode, the STM32W108 reference design achieves a high transmit output power across the 16 channels. This section describes the design decisions behind each of the items shown in Figure 1.

2.1 RF design guidelines

2.1.1 STM32W108 RF ports

The STM32W108's bi-directional RF port (pins RF_P and RF_N) provides access to a low noise amplifier (LNA) and a power amplifier (PA) through a shared differential interface. The disabled high-Z state of either the PA or the LNA enables transmitting and receiving through the shared port without the need for a conventional T/R switch.

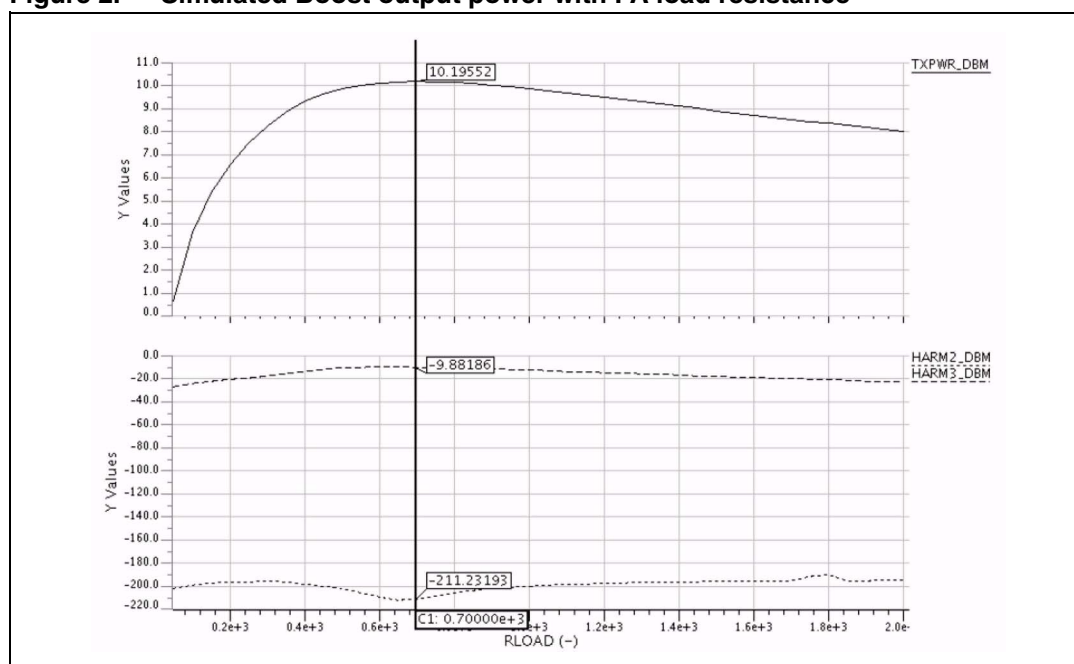
An 'alternate' PA-only port (pins RF_TX_ALT_P and RF_TX_ALT_N) is also provided. This function is achieved via an additional PA. Design considerations for this alternate PA are not covered in this document.

Note: The on-chip parasitic capacitance is different between the two ports and will slightly alter the off-chip matching component values.

2.1.2 Optimizing for TX (Boost mode)

The STM32W Reference Design has been optimized for maximum transmitter (TX) output power in Boost mode using practical components and readily available printed circuit board (PCB) substrates. The optimum load at the PA on the silicon die is approximately 700Ω when the PA/LNA device capacitance is resonated-out. This maximizes the voltage swing at the drains of the PA devices within the available supply voltage. Too large a load causes voltage limiting whereas too small a load does not make full use of the available supply voltage. [Figure 2](#) illustrates a die-level simulation of the load impedance and its effect on PA output power.

Figure 2. Simulated Boost output power with PA load resistance



Optimizing the TX output performance in Boost mode does not cause degradation in either Normal mode or RX sensitivity. Because the receiver is CMOS-based, it amplifies the input signal voltage, rather than its current. The receiver noise is a fixed value of noise voltage that may be referred to its input. It might be expected that increasing the transformation

would yield higher signal voltage swings at the LNA input, making the input referred noise less significant and thereby improving sensitivity. However, this also increases the source resistance, thereby increasing the source noise voltage. In practice at the 700Ω level, the improvement gradient is very small and the transmit output power exhibits far greater sensitivity to load variation than receiver sensitivity. The main objective for receive sensitivity is to minimize network loss, which is a common objective when transmitting.

The optimum load presented to the pins of the STM32W108 device must take into consideration not only the optimum PA load but also on-chip parasitic capacitance and package bond-wire inductance. It is estimated that the optimum load presented to the pins is $27 + j95\Omega$ (series impedance). This is equivalent to a parallel resistance of 368Ω combined with a parallel inductance of 6.6 nH.

Optimal Load for STM32W (series impedance)	$27 + j95$	Ohms
--	------------	------

2.1.3 Matching network circuit design

The term “matching” typically implies conjugate power matching. It is important to understand that the STM32W PA is not power matched according to the traditional definition. The term is used in this document to describe the design of an optimal PA impedance.

The best way to understand ST's approach towards optimizing the STM32W “matching” is to plot on the Smith chart the impedance of the ideal 700Ω PA load transformed by the chip/package parasitic elements. The combination of the ideal load with the parasitic elements is the conjugate of the ideal load presented to the package pins. Knowing the combined load and its conjugate allows the designer to approach matching in a more traditional sense, namely, “How do we get to 50Ω ?”

It is also necessary at some point in the network to include a balanced-to-unbalanced (balun) conversion. Use of a ‘proper’ balun has performance benefits related to common-mode suppression both on transmit and receive sides.

There are a variety of balun architectures and solutions available. The primary objective of any of ST's reference designs is to minimize design complexity and maximize time to market. Therefore, ST decided to implement its primary reference design with a ceramic balun. The cost of ceramic baluns is low, and they are available from a number of vendors.

Ceramic baluns are available in 1:1 (50 to 50Ω), 2:1 (100 to 50Ω), and 4:1 ratios (200 to 50Ω).

The magnitude of the reflection coefficient, $|\Gamma_L|$, in these three cases is:

- 1:1 (50Ω) \rightarrow 0.8
- 2:1 (100Ω) \rightarrow 0.76
- 4:1 (200Ω) \rightarrow 0.8

This implies that a 2:1 ceramic balun should offer the lowest network loss, assuming identical balun loss because it requires the least transformation.

Investigation into ceramic balun performance from various vendors reveals that 1:1 and 2:1 ratio baluns often have an approximate 0.3 dB insertion loss advantage over a 4:1 ratio. Thus the use of a 2:1 ceramic balun is preferred.

To minimize network loss, the matching topology should try to keep Smith chart loci towards the center of the Smith chart. To do that, the following impedance transformation options are available:

- Series inductance followed by Shunt capacitance
 - This option favors lower balun ratios.
 - It leads to comparatively large inductance values.
 - It requires either long PCB traces or two discrete inductors (balanced network) which means inductor Q becomes an issue.
- Series inductance followed by Shunt inductance
 - Similar to auto-transformer action.
 - Sweet-spot for 100 Ω balun if series inductance fabricated from PCB traces since neither too long nor too short.
- Shunt inductance followed by series capacitance
 - Not allowed because DC feed to PA is required from balun centre-tap.
- Shunt inductance followed by Series inductance
 - Favors lower balun ratios, but even at 1:1 the required series inductance is comparatively large.
 - It requires either long PCB traces or two discrete inductors (balanced network) which means inductor Q becomes an issue.

PCB parasitic elements play a part in the impedance transformation and even with the tightest of layouts, traces between the matching elements will add significant reactance at 2.4 GHz. In particular, there will be some series inductance between the package pins and the first matching element. This is significant when that element is shunted because it cannot be absorbed into that reactance. Since this effect cannot be avoided, it is best to take advantage of it.

The option with the lowest loss and least complex arrangement is series inductance followed by shunt inductance. To make use of the PCB traces, it must be recognized that they operate more like transmission lines which travel slightly differently on the Smith chart compared with real inductors and this affects the shunt inductance value.

Traces of 100 Ω which equate to 150 μ m wide on a 0.4mm thick FR-4 substrate should be used. In ST's simple single-ended representation in the Smith chart, the balanced pair must be modeled as a single 200 Ω transmission line. [Figure 3](#) illustrates the impedance transformation.

Figure 3. STM32W Ceramic Balun matching network

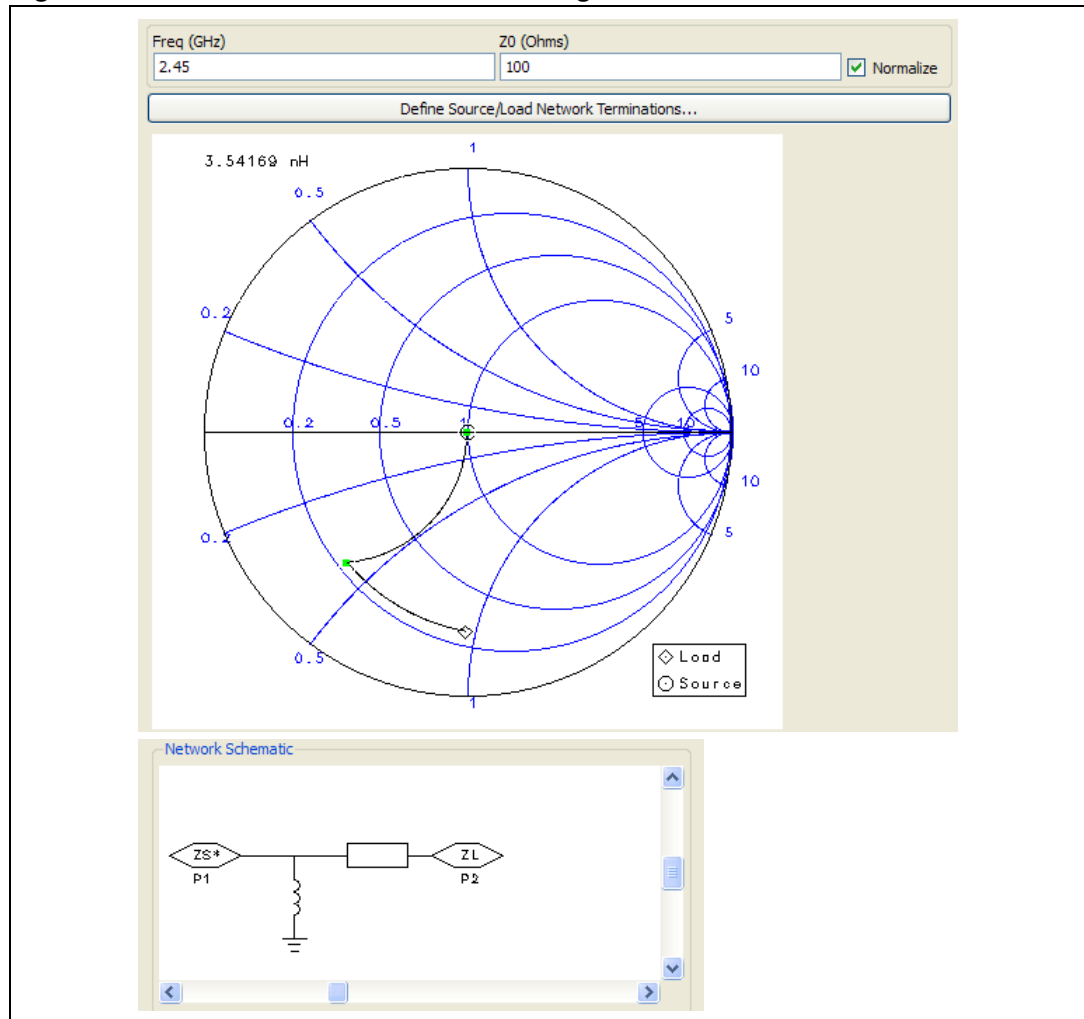
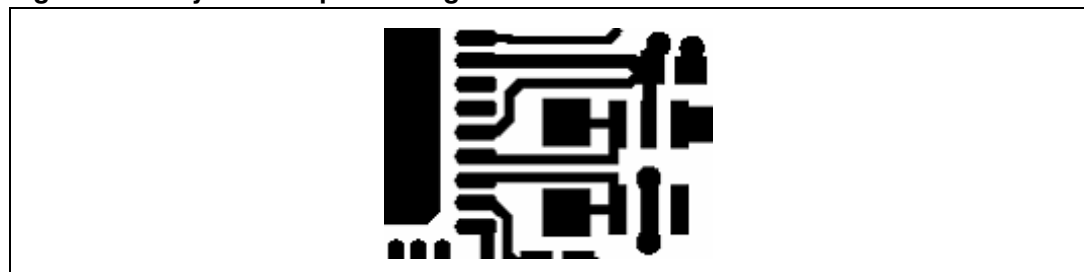


Figure 4 shows a PCB layout (layer 1). It is important that the PCB designer notice the routes between the STM32W and the balun. ST recommends the use of an 0603 inductor to allow ample space for the traces to go to the balun first with deterministic lengths. Trace inductance between the inductor and balun is then absorbed into the total shunt inductance, so it may be predictably offset by reducing the physical component value. The tuned value on the reference design came out to be 3.3 nH.

Figure 4. Layer 1 except showing the balun routes



The PCB designer has the option to route the traces to the inductor first and the balun second, but this has the effect of moving the components further away from the STM32W.

By routing in this manner, PCB area and cost are wasted. It also requires the model to be updated to a three-element match, generally making it more difficult to simulate.

An added benefit of using an 0603 inductor over an 0402 inductor is that better Q is obtainable. The STM32W Ceramic Balun Reference Design uses a Murata LQG18H series inductor which has a typical Q of approximately 100 at 2.4 GHz. Compare this to the commonly used LQP15M 0402 inductor, which has a typical Q of approximately 50. This is worth nearly 0.2 dB. The disadvantage is that it is not possible to get E24 values in 0603 style at these sorts of component values. So a small price is paid on design centering.

As previously mentioned, the balun center tap is fed with a 1.8V DC feed. A decoupling capacitor is required to define the common-mode RF potential. The balun decoupling capacitor needs to be as close as possible to the balun pins and with a high quality ground connection. Its value is chosen to be series resonant with its parasitic inductance at 2.4GHz. While it would be possible to tune-out longer tracks by using a smaller capacitor value, this has the effect of making the decoupling more narrow-band, which can impact common-mode harmonic suppression.

2.1.4 Harmonic filter design

FCC Rule 15.35 allows for a duty-cycle relaxation to the regulatory limits. For EmberZNet Pro, the relaxation is 6.9 dB.

FCC Rule 15.205 defines 'restricted bands' where harmonics must meet the levels set out in FCC Rule 15.209. This is defined as -41.2 dBm/MHz up to 12.5 GHz. This applies to the 2nd, 3rd, and 5th harmonics, but not the 4th harmonic.

ETSI EN 300 440-1 requires spurious emissions to be less than -30 dBm/MHz, 1GHz~24GHz, so this becomes the default limit for the 4th harmonic.

Generally, if FCC limits are met it is extremely unlikely that harmonics to 24 GHz would fail ETSI requirements, so frequencies above the 5th harmonic are not considered here.

The overall requirement is shown in [Table 1](#).

Table 1. Harmonic power limits

Harmonic	Frequency	Limit
2nd	4810~4960 MHz	≤ -34.3 dBm/MHz
3rd	7215~7440 MHz	≤ -34.3 dBm/MHz
4th	9620~9920 MHz	≤ -30.0 dBm/MHz
5th	12025~12400 MHz	≤ -34.3 dBm/MHz

2.1.5 Band-pass filter

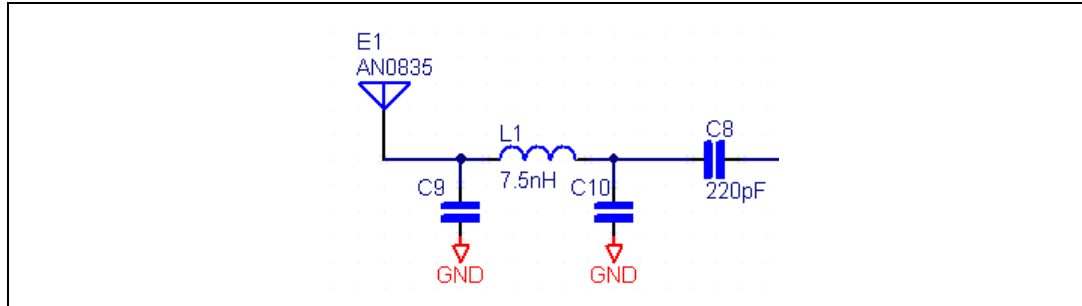
ST decided to use a band-pass filter as it is a convenient way to ensure that unwanted harmonics are filtered out and 50 Ohms adaptation is guaranteed between the balun and the antenna matching circuitry.

2.1.6 Antenna matching circuit

A matching circuit is needed to adapt the impedance between the 50-Ohm band-pass filter and the antenna. Ideally a 50-Ohm trace should be enough, but, in reality, antenna impedance varies with its environment. Once the antenna characteristics as been measured

using a vector network analyzer (VNA), it is easy to figure out with the help of a Smith chart the value needed to compensate the de-adaptation. In our practical case, a serial capacitor (C8) and inductor (L1) have been selected.

Figure 5. Antenna matching circuit



2.2 RF layout guidelines

At 2.4GHz it does not take much for a poorly designed PCB to build up enough parasitic reactance to noticeably compromise RF performance. The following notes describe how the PCB design was implemented and some of the pitfalls that could arise in transferring the design to a product.

2.2.1 PCB tolerance

Volume manufacturing requires the least expensive materials to be used while meeting an acceptable level of performance. The effects of component choice have already been discussed, but the PCB also plays a major part in the matching network and so you must consider its performance.

For the types of cost-sensitive applications targeted, a low-cost PCB substrate is mandatory, which means using a standard FR-4 epoxy. But within the FR4 classification there are cost trade-offs to be made against:

- Dissipation Factor, DF (also known as loss tangent, $\tan\delta$)
- Dielectric Constant, DK (also known as relative permittivity, ϵ_r)

Generally, materials are split into 'standard loss' and 'low loss' categories, with a corresponding cost penalty. Other product considerations such as flammability rating and lead-free assembly will narrow these choices. These are beyond the scope of this document.

Modern PCB manufacturing achieves very accurate etching and so this is not considered as a performance variable. Z-axis expansion depends on the FR-4 material and does not alter much between vendors' material.

2.3 Other design considerations

Please refer to [Section 3](#) for the non-RF requirements of the STM32W-based design.

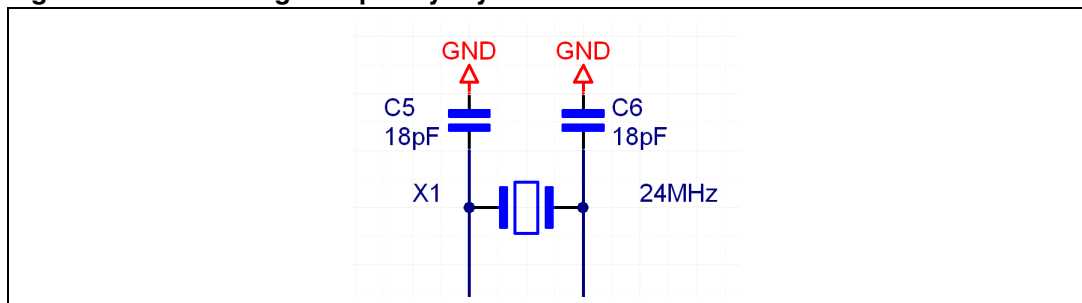
3 Non-RF design considerations

To operate properly, each STM32W Reference design contains additional, non-RF components. These include a 24-MHz crystal, appropriate decoupling capacitors and RF test point as well as an InSight Port connector.

3.1 High-frequency (24-MHz) crystal reference (X1, C5, and C6)

The STM32W requires a single, accurate 24-MHz crystal source in order to develop the proper STM32W clock distribution and IEEE 802.15.4 timing (see [Figure 6](#)).

Figure 6. 24MHz high-frequency crystal



ST recommends that the shunt loading capacitors, C5 and C6, be located fairly close together and share a common ground via. The shunt capacitors and the crystal form a resonant circuit with a reasonably high Q, so the circulating currents are high. As a result, despite only consuming 1mA (for example), the circulating current through the shunt capacitors may be several mA. If the grounds of the capacitors are widely separated, this several mA loop current has to flow through the ground plane to get between the two capacitors. The high current causes voltage to be developed due to the via inductance, as well as potentially inducing a voltage in the ground plane. Bringing the capacitors closer together means the majority of the loop current flows in surface tracks-only and an imbalance current flows to ground, which should be small if the signal across the crystal is symmetric and sinusoidal. It is difficult to say if this really makes a difference or not, and capacitors are commonly taken to ground separately. However, the crystal is very near the RF and the VCO in particular, and 24 MHz tones of the VCO are very detrimental, so the problem is best avoided.

Due to the timing requirements of the IEEE 802.15.4-2003 Standard, this 24-MHz crystal must meet an accuracy of ± 40 ppm over tolerance, temperature, and aging. In addition, the crystal must have a maximum ESR of 60Ω to control the integrated oscillator signal strengths.

A manufacturing token within the STM32W device stores the crystal bias register setting. This setting is automatically determined during PCB manufacturing testing when ST's NodeTest or MFG Library software is used, and it is dependent upon the selected crystal. For more information on this token, refer to application note *AN3188: Preparing custom devices for the STM32W108 platform*. Loading capacitors C5 and C6 should be chosen according to the crystal manufacturer's requirements.

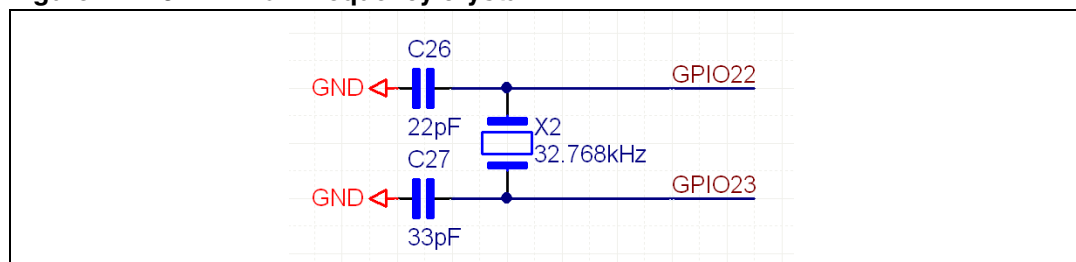
Table 2. High frequency crystal requirements

Parameter	Test Conditions	Min.	Typ.	Max.	Unit
Frequency			24		MHz
Duty cycle		40		60	%
Phase noise from 1kHz to 100kHz				- 120	dBc/Hz
Accuracy	Initial, temperature, and aging	- 40		+ 40	ppm
Crystal ESR	Load capacitance of 10pF			100	
Crystal ESR	Load capacitance of 18pF			60	
Start-up time to stable clock (max. bias)				1	ms
Start-up time to stable clock (optimum bias)				2	ms

3.2 Optional Low-frequency crystal reference (X2, C27 and C26)

The STM32W contains an integrated sleep timer that allows for software configuration of sleep/wake cycles of the wireless node. There are two options for driving the sleep timer: a 32.768 kHz crystal oscillator or an internal RC oscillator. The crystal oscillator is more accurate but consumes more current than the RC oscillator. The RC oscillator is sufficient for operating ST's IEEE 802.15.4 software libraries and stacks. Therefore, the application's sleep timing accuracy will decide if a 32-kHz crystal is required.

Figure 7 illustrates the crystal oscillator with its loading capacitors. To reduce the effects of overdriving the oscillator circuit within the STM32W, ST recommends an asymmetrical loading of the crystal.

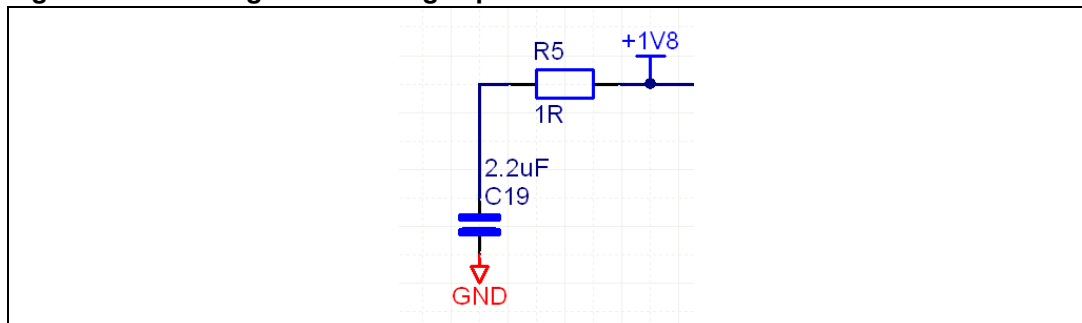
Figure 7. 32-kHz low-frequency crystal

If the application does not need the 32-kHz crystal, then the pins OSC32A (GPIO22) and OSC32B (GPIO23) can be used as a general-purpose IO.

3.3 1.8V regulator load capacitor

The STM32W operates over a supply voltage (V_{BRD}) of 2.1 to 3.6V. An integrated 1.8V regulator converts V_{BRD} down to a trimmed 1.8V. To stabilize the integrated regulator, a 2.2 μ F ceramic loading capacitor is required on the output of VREG_OUT of the STM32W. A series resistor (R5) is used to keep the minimum ESR of the loading capacitor below 1 Ohm. This is shown in [Figure 8](#).

Figure 8. 1.8V regulator loading capacitance



3.4 1.2V regulator loading

The STM32W contains an integrated 1.2V Regulator to drive the Core Logic. By driving the core at this lower V_{DD} potential, reduced current consumption is achieved. To utilize this regulated voltage, a PCB designer should connect pin VDD_CORE_0 to pin VDD_CORE_1. If you would like to drive the core at 1.8V, then the 1.8V net should be connected to both pins VDD_CORE_0 and VDD_CORE_1.

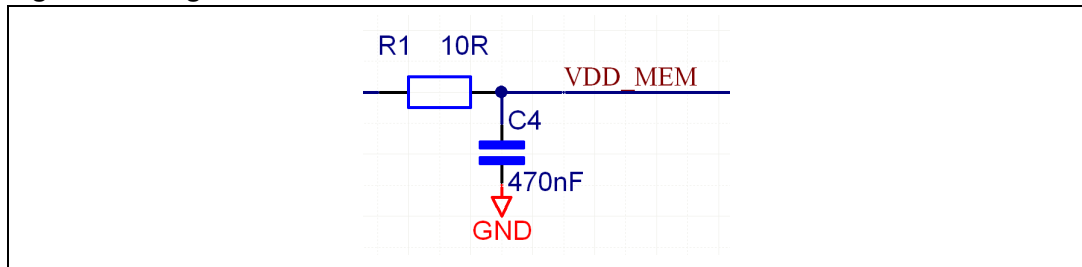
A 1 μ F ceramic loading capacitor should be placed close to pin VDD_CORE_0. In addition, a 10nF decoupling capacitor should be placed close to pin VDD_CORE_1.

3.5 1.8V net decoupling

To minimize noise and coupling paths into the STM32W, decoupling capacitors must be placed on each of the VDD pins. All decoupling capacitors should be placed as close to the STM32W as possible as well as in between the source point (via) and the STM32W pin. In addition, all values should be maintained as defined by the STM32W Reference Design.

3.6 1.8V analog to 1.8V digital filtering

To keep the Radio Active current at 36 mA, ST recommends adding a single element filter (resistor) between the digital and analog 1.8V nets, 1.8V_A and 1.8V_D, respectively (see [Figure 9](#)). This resistor maintains a reduced bias current for the digital logic within the STM32W. If this resistor is not used, the RX current will increase by 1mA to 37mA.

Figure 9. Digital VDD filter

The lower current consumption also allows for a reduction in the digital 1.8V Domain noise. This means the RX sensitivity improves by 2dB when using the 10-Ohm resistor.

3.7 RF test connector

To assist with manufacturing testing of the printed circuit assemblies, ST recommends having the possibility to solder an U.F.L type RF connector such as those from Hirose.

After reading this document

If you have questions or require assistance with the procedures described in this document, please contact STMicroelectronics support at <http://www.st.com/stm32w>.

4 Revision history

Table 3. Document revision history

Date	Revision	Changes
29-Apr-2010	1	Initial release.
08-Dec-2010	2	Updated Section 3.4: 1.2V regulator loading on page 12 .
16-Mar-2011	3	Added support for STM32W108xx kits; updated “ZigBee” and “EmberZNet” references with “IEEE 802.15.4”; and updated STM32W website URL.

Please Read Carefully:

Information in this document is provided solely in connection with ST products. STMicroelectronics NV and its subsidiaries ("ST") reserve the right to make changes, corrections, modifications or improvements, to this document, and the products and services described herein at any time, without notice.

All ST products are sold pursuant to ST's terms and conditions of sale.

Purchasers are solely responsible for the choice, selection and use of the ST products and services described herein, and ST assumes no liability whatsoever relating to the choice, selection or use of the ST products and services described herein.

No license, express or implied, by estoppel or otherwise, to any intellectual property rights is granted under this document. If any part of this document refers to any third party products or services it shall not be deemed a license grant by ST for the use of such third party products or services, or any intellectual property contained therein or considered as a warranty covering the use in any manner whatsoever of such third party products or services or any intellectual property contained therein.

UNLESS OTHERWISE SET FORTH IN ST'S TERMS AND CONDITIONS OF SALE ST DISCLAIMS ANY EXPRESS OR IMPLIED WARRANTY WITH RESPECT TO THE USE AND/OR SALE OF ST PRODUCTS INCLUDING WITHOUT LIMITATION IMPLIED WARRANTIES OF MERCHANTABILITY, FITNESS FOR A PARTICULAR PURPOSE (AND THEIR EQUIVALENTS UNDER THE LAWS OF ANY JURISDICTION), OR INFRINGEMENT OF ANY PATENT, COPYRIGHT OR OTHER INTELLECTUAL PROPERTY RIGHT.

UNLESS EXPRESSLY APPROVED IN WRITING BY AN AUTHORIZED ST REPRESENTATIVE, ST PRODUCTS ARE NOT RECOMMENDED, AUTHORIZED OR WARRANTED FOR USE IN MILITARY, AIR CRAFT, SPACE, LIFE SAVING, OR LIFE SUSTAINING APPLICATIONS, NOR IN PRODUCTS OR SYSTEMS WHERE FAILURE OR MALFUNCTION MAY RESULT IN PERSONAL INJURY, DEATH, OR SEVERE PROPERTY OR ENVIRONMENTAL DAMAGE. ST PRODUCTS WHICH ARE NOT SPECIFIED AS "AUTOMOTIVE GRADE" MAY ONLY BE USED IN AUTOMOTIVE APPLICATIONS AT USER'S OWN RISK.

Resale of ST products with provisions different from the statements and/or technical features set forth in this document shall immediately void any warranty granted by ST for the ST product or service described herein and shall not create or extend in any manner whatsoever, any liability of ST.

ST and the ST logo are trademarks or registered trademarks of ST in various countries.

Information in this document supersedes and replaces all information previously supplied.

The ST logo is a registered trademark of STMicroelectronics. All other names are the property of their respective owners.

© 2011 STMicroelectronics - All rights reserved

STMicroelectronics group of companies

Australia - Belgium - Brazil - Canada - China - Czech Republic - Finland - France - Germany - Hong Kong - India - Israel - Italy - Japan - Malaysia - Malta - Morocco - Philippines - Singapore - Spain - Sweden - Switzerland - United Kingdom - United States of America

www.st.com