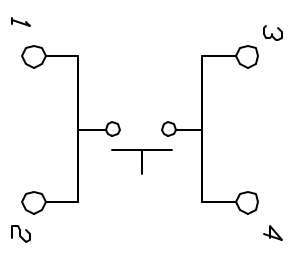
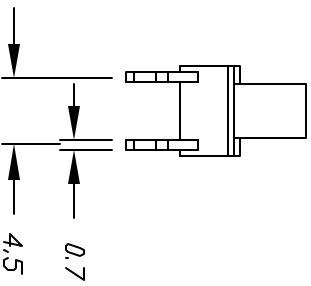
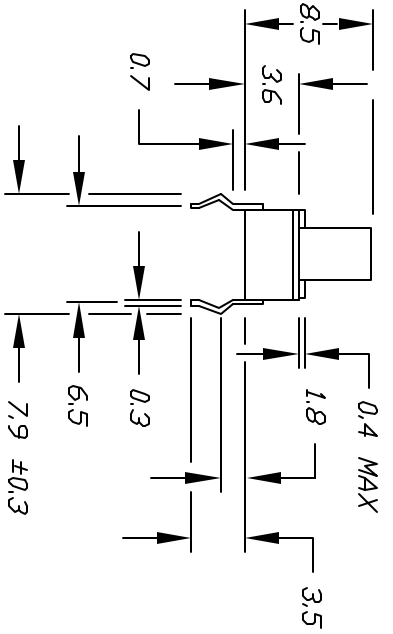


P.C.B. MOUNTING HOLES



CONTACT CONFIGURATION

NOTES:

- 1. ALL DIMENSIONS IN MM
- 2. TERM. NOS. FOR REF ONLY

E-SWITCH

TOLERANCES		TITLE		SCALE		DATE		DR		DWG		REV	
0.0	±0.4	TL 1105 P (160 GF/8.5mm BLACK)		2:1	8/14/96	MM		P010008	A				
0.00	±0.25												

REV.	DESCRIPTION	DATE	CHKD
A	RELEASED FOR PRODUCTION		

THE INFORMATION CONTAINED IN THIS DOCUMENT IS PROPRIETARY TO E-SWITCH AND IS NOT TO BE COPIED OR TRANSMITTED