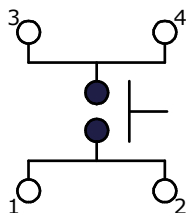
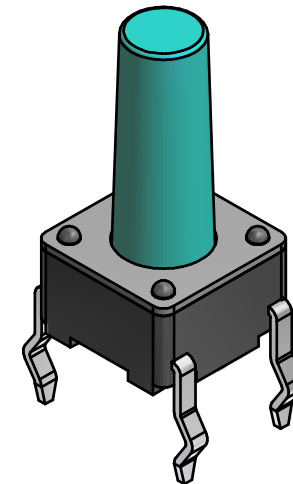
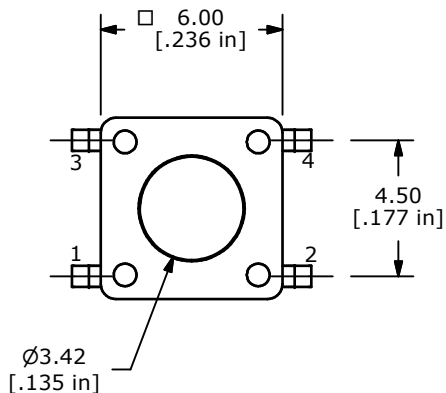


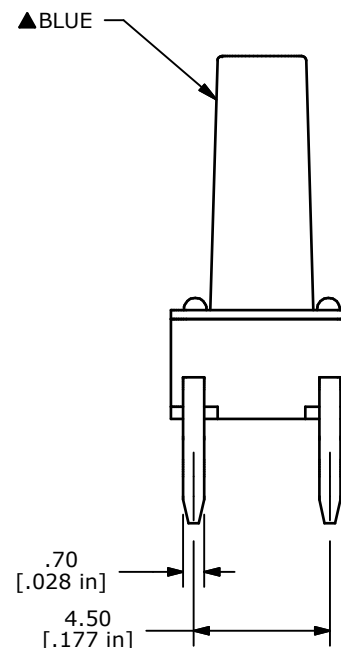
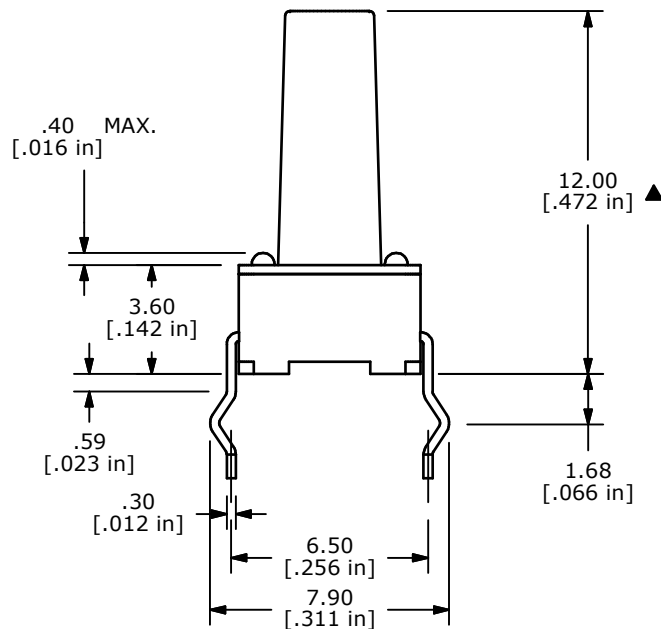
P.C.B. MOUNTING



CIRCUIT: SPST

NOTES:

1. ALL DIMENSIONS IN MM [INCH]
2. TERMINAL NUMBERS FOR REF. ONLY
3. TOLERANCE: X.X=± 0.4
X.XX=± 0.25
- ▲ 4. CONTACT MATERIAL: SILVER
5. RATING: 12VDC @ 50mA
6. TRAVEL: 0.25 +0.2/-0.1mm
- ▲ 7. OPERATING FORCE: 250 +/- 50 GRAMS
8. ELECTRICAL LIFE: 100,000 CYCLES MIN.
9. CONTACT RESISTANCE: 100 Milli-OHMS MAX.
10. ▲ DENOTES CRITICAL PARAMETER
11. 2002/95/EC (ROHS) COMPLIANT



TITLE TL1105UF250QBLUSTEM

A	20888	RELEASED FOR PRODUCTION	11/21/12	EBP
REV	PCR NO	DESCRIPTION	DATE	BY

THE INFORMATION CONTAINED IN THIS DOCUMENT IS PROPRIETARY TO E-SWITCH AND IS NOT TO BE COPIED OR TRANSFERRED

SCALE	DATE	DR	DWG	REV
	11/21/2012	EBP	P010214	A