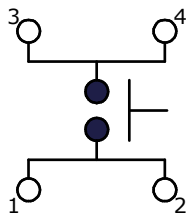
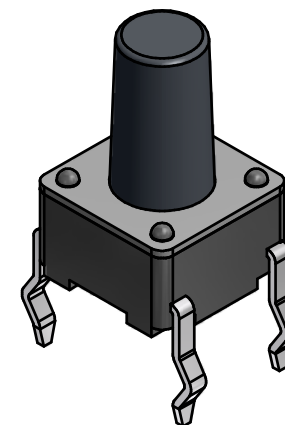
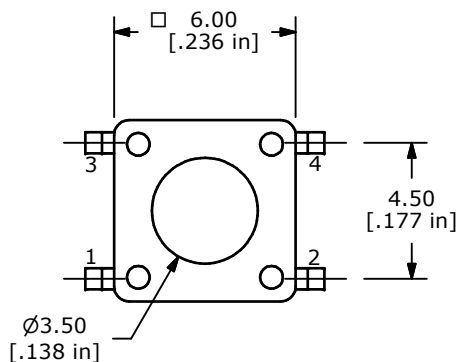


P.C.B. MOUNTING

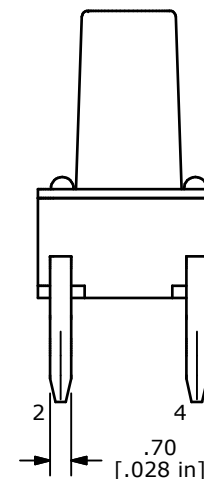
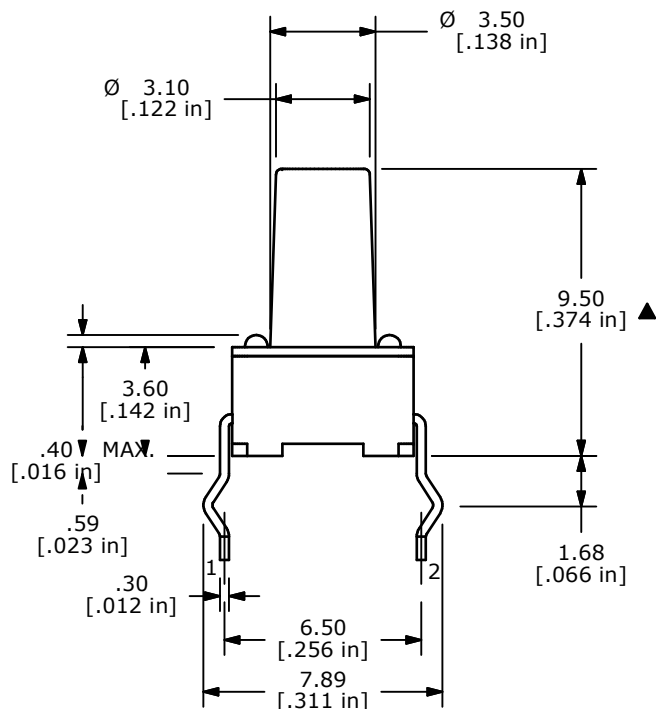


CIRCUIT: SPST

- NOTES:
1. ALL DIMENSIONS IN MM [INCH]
  2. TERMINAL NUMBERS FOR REF. ONLY
  3. TOLERANCE: X.X=± 0.4  
X.XX=± 0.25
  - ▲4. CONTACT MATERIAL: SILVER
  5. RATING: 12VDC @ 50mA
  6. TRAVEL: 0.25 +0.2/-0.1mm
  - ▲7. OPERATING FORCE: 65 ± 20gf
  8. ELECTRICAL LIFE: 5 MILLION CYCLES
  9. CONTACT RESISTANCE: 50mΩ MAX.
  10. ▲ DENOTES CRITICAL PARAMETER
  11. 2002/95/EC (ROHS) COMPLIANT
  - ▲12. PACKAGING: 750 PIECES/PER POLY BAG



ISOMETRIC



C	20957	CORRECT OPERATING FORCE	1/8/13	EBP
B	17226	FIXED TAPER	4/26/07	TN
A	17182	RELEASED FOR PRODUCTION	4/12/07	TN
REV	PCR NO	DESCRIPTION	DATE	BY



TITLE LL1105BF065Q

THE INFORMATION CONTAINED IN THIS DOCUMENT IS PROPRIETARY TO E-SWITCH AND IS NOT TO BE COPIED OR TRANSFERRED

SCALE	DATE	DR	DWG	REV
4:1	4/26/2007	TN	P010239	C