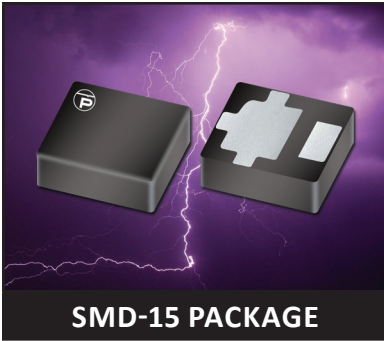


## 15kW SURFACE MOUNT POWER TVS COMPONENT



### DESCRIPTION

The SM15KPA Series are high-powered surface mount transient voltage suppression components designed to protect equipment and systems from the damaging effects of high voltage spikes. The surface mount package configuration provides a lower profile at a reduce cost compared to legacy axial lead package configurations.

These devices provide 15,000 Watts of peak pulse power dissipation for an 10/1000 $\mu$ s waveform. Applications include AC and DC power line protection, terrestrial base station protection as well as module lightning protection.

### FEATURES

- Compatible with IEC 61000-4-5 (Surge): 48A, 8/20 $\mu$ s - L3(Line-Ground), L4(Line-Line) & L1 (Power)
- 15,000 Watts Peak Pulse Power per Line (tp = 10/1000 $\mu$ s)
- Unidirectional and Bidirectional Configurations
- Easy Mounting to Printed Circuit Board
- Available in Multiple Voltages
- tClamping (0V to V<sub>(BR)</sub> Min) < 100ps, Theoretical for Unidirectional and 5ns for Bidirectional
- RoHS Complaint (Exemption #7)
- This series will continue to be supplied to current and/or new designs. However, ProTek recommends the SM15KPAxxxAN/CAN Series to be used in newer designs

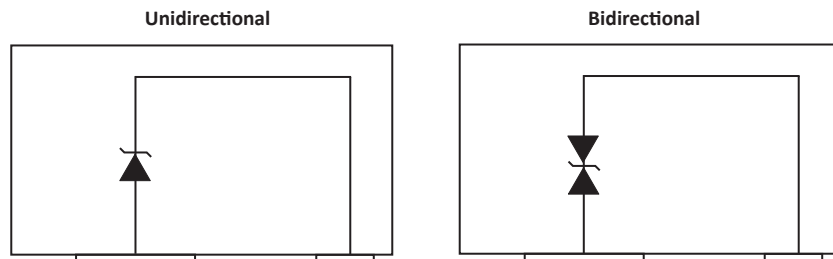
### APPLICATIONS

- Relay Drives
- Motor (Start/Stop) Back EMF Protection
- Module Lightning Protection
- Secondary Lightning Protection for AC/DC

### MECHANICAL CHARACTERISTICS

- Black Molded Case
- Approximate Weight: 1.2 grams
- Lead-Free Silver Plating
- Solder Reflow Temperature: 240-250°C
- Flammability Rating UL 94V-0
- Marking: Logo, Marking Code and Date Code

## CIRCUIT DIAGRAMS



## TYPICAL DEVICE CHARACTERISTICS

## MAXIMUM RATINGS @ 25°C Unless Otherwise Specified

PARAMETER	SYMBOL	VALUE	UNITS
Peak Pulse Power (tp = 10/1000µs) - See Figure 1	$P_{PP}$	15,000	Watts
Forward Surge Rating	$I_F$	200	Amps
Steady State Power Dissipation	$P_P$	1.0	Watts
Storage Temperature	$T_{STG}$	-55 to 150	°C
Operating Temperature	$T_L$	-55 to 150	°C

## ELECTRICAL CHARACTERISTICS PER LINE @ 25°C Unless Otherwise Specified

UNIDIRECTIONAL PART NUMBER (Notes 1 - 2)	MARKING CODE	RATED STAND-OFF VOLTAGE  $V_{WM}$ VOLTS	MINIMUM BREAKDOWN VOLTAGE		MAXIMUM LEAKAGE CURRENT  @ $V_{WM}$ $I_D$ µA	MAXIMUM CLAMPING VOLTAGE (Fig. 2)  @ 10/1000µS $V_C @ I_{PP}$	TEMPERATURE COEFFICIENT OF $V_{(BR)}$  q $V_{(BR)}$ mV/°C
			MIN $V_{(BR)}$ VOLTS	@ $I_T$ mA			
SM15KPA17A	17A	17.0	18.9	50	5000	29.3V @ 512.0A	17
SM15KPA30A	30A	30.0	33.3	5	15	50.7V @ 296.0A	34
SM15KPA33A	33A	33.0	36.7	5	10	54.8V @ 274.0A	38
SM15KPA48A	48A	48.0	53.3	5	10	77.7V @ 193.0A	56

## NOTES

1. Devices shown are preferred voltages. Consult factory for additional voltages.
2.  $V_{(MAX)}$  = 15 Volts @ 200A, 8.3ms (1/2 Sine Wave) - unidirectional configuration only.

## ELECTRICAL CHARACTERISTICS PER LINE @ 25°C Unless Otherwise Specified

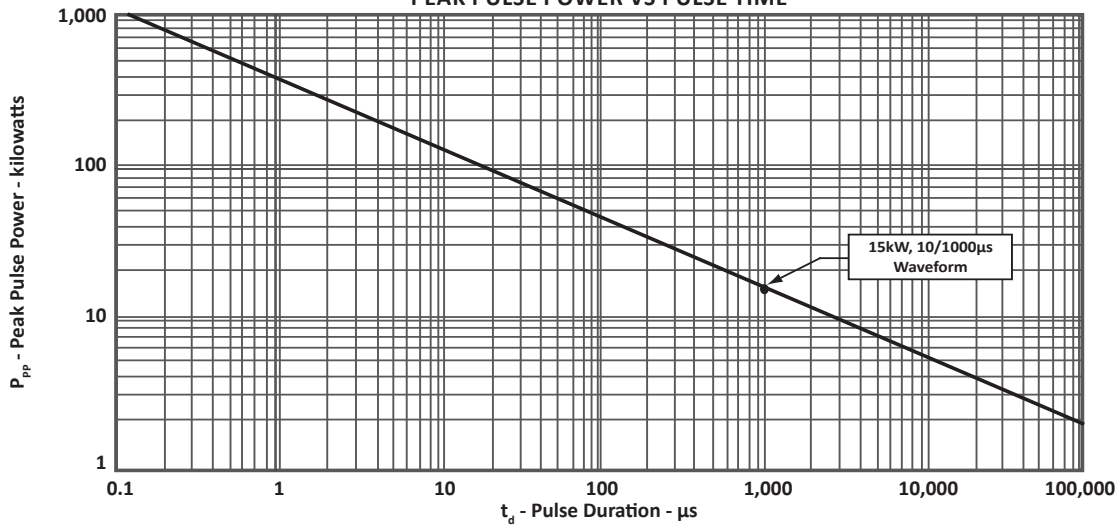
BIDIRECTIONAL PART NUMBER (Note 1)	MARKING CODE	RATED STAND-OFF VOLTAGE  $V_{WM}$ VOLTS	MINIMUM BREAKDOWN VOLTAGE		MAXIMUM LEAKAGE CURRENT  @ $V_{WM}$ $I_D$ µA	MAXIMUM CLAMPING VOLTAGE (Fig. 2)  @ 10/1000µS $V_C @ I_{PP}$	TEMPERATURE COEFFICIENT OF $V_{(BR)}$  q $V_{(BR)}$ mV/°C
			MIN $V_{(BR)}$ VOLTS	@ $I_T$ mA			
SM15KPA30CA	30C	30.0	33.3	5	15	50.7V @ 296.0A	34
SM15KPA43CA	43C	43.0	47.8	5	10	69.7V @ 215.0A	50
SM15KPA54CA	54C	54.0	60.0	5	10	87.5V @ 171.0A	63
SM15KPA58CA	58C	58.0	64.4	5	10	94.0V @ 160.0A	68
SM15KPA78CA	78C	78.0	86.7	5	10	126.0V @ 119.0A	93
SM15KPA220CA	220C	220.0	245.0	5	10	356.0V @ 42.0A	269

## NOTES

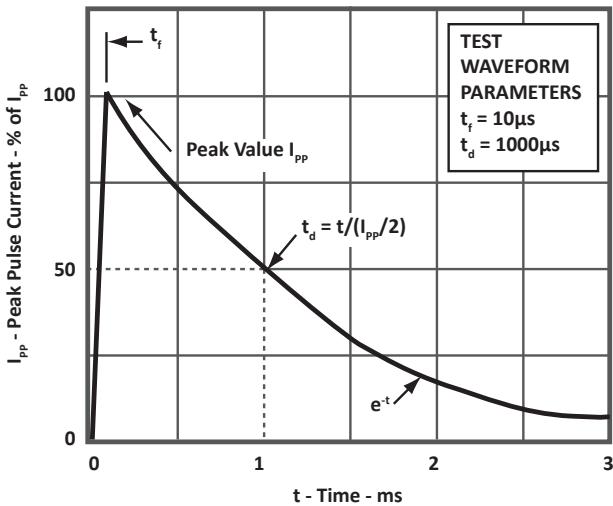
1. Devices shown are preferred voltages. Consult factory for additional voltages.

**TYPICAL DEVICE CHARACTERISTICS**

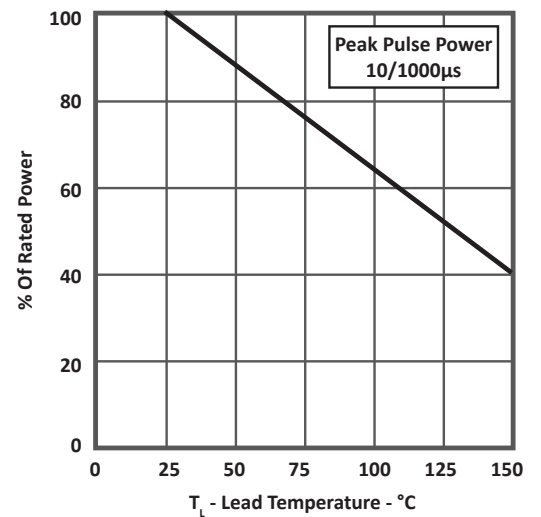
**FIGURE 1**  
**PEAK PULSE POWER VS PULSE TIME**



**FIGURE 2**  
**PULSE WAVEFORM**



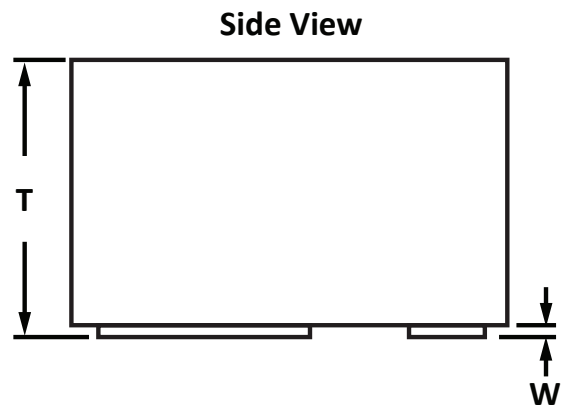
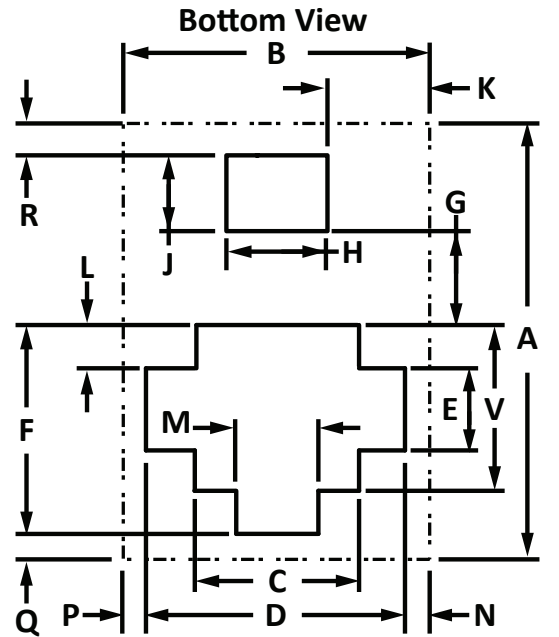
**FIGURE 3**  
**POWER DERATING CURVE**



## SMD-15 PACKAGE INFORMATION

## PACKAGE OUTLINE DIMENSIONS

DIM	MILLIMETERS		INCHES	
	MIN	MAX	MIN	MAX
A	13.46	14.22	0.530	0.560
B	9.52	9.78	0.375	0.385
C	5.08	5.18	0.200	0.204
D	8.15	8.25	0.321	0.325
E	2.55	2.65	0.100	0.104
F	6.65	6.75	0.262	0.266
G	2.65	3.15	0.104	0.124
H	3.15	3.25	0.124	0.128
J	2.25	2.54	0.090	0.100
K	3.15	3.25	0.124	0.128
L	1.25	1.35	0.049	0.053
M	2.51	2.61	0.099	0.103
N	0.70	0.80	0.028	0.031
P	0.70	0.80	0.028	0.031
Q	0.80	1.03	0.031	0.041
R	0.80	1.03	0.031	0.041
T	8.12	9.14	0.320	0.360
W	0.25	0.50	0.010	0.020
V	5.08	5.18	0.200	0.204

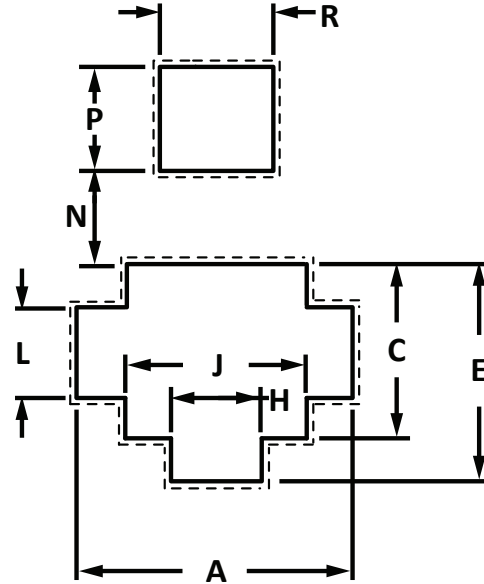


## SMD-15 PACKAGE INFORMATION

## SOLDER PAD OUTLINE DIMENSIONS

DIM	MILLIMETERS		INCHES	
	MIN	MAX	MIN	MAX
A	8.35	8.45	0.329	0.333
C	5.35	5.45	0.211	0.215
E	6.85	6.95	0.270	0.274
H	2.75	2.85	0.108	0.112
J	5.35	5.45	0.211	0.215
L	2.75	2.85	0.108	0.112
N	2.45	2.55	0.096	0.100
P	3.25	3.35	0.128	0.132
R	3.55	3.65	0.140	0.144

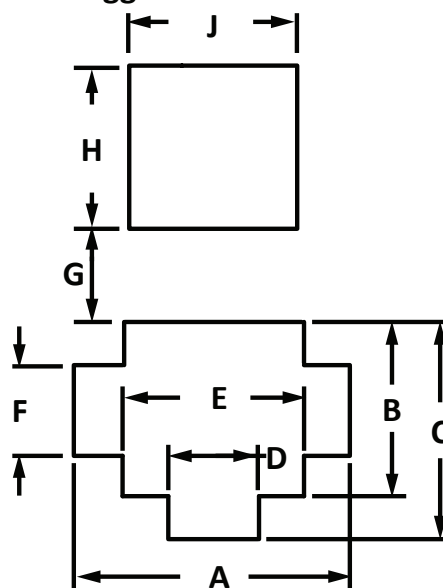
## Suggested Solder Pad



## SOLDER PRINT OUTLINE DIMENSIONS

DIM	MILLIMETERS		INCHES	
	MIN	MAX	MIN	MAX
A	5.75	5.85	0.226	0.23
B	4.15	4.25	0.163	0.167
C	4.95	5.05	0.195	0.199
D	1.55	1.65	0.061	0.065
E	4.15	4.25	0.163	0.167
F	1.55	1.65	0.061	0.065
G	2.65	2.75	0.104	0.108
H	4.05	4.15	0.159	0.163
J	4.05	4.15	0.159	0.163

## Suggest Solder Print



## COMPANY INFORMATION

---

### COMPANY PROFILE

In business more than 20 years, ProTek Devices™ is a privately held semiconductor company. The company offers a product line of overvoltage protection and overcurrent protection components. These include transient voltage suppressor array (TVS arrays) avalanche breakdown diode, steering diode TVS array and electronics SMD chip fuses. These components deliver circuit protection in electronic systems from numerous overvoltage and overcurrent events. They include lightning; electrostatic discharge (ESD); nuclear electromagnetic pulses (NEMP); inductive switching; and electromagnetic interference (EMI) / radio frequency interference (RFI). ProTek Devices also offers high performance interface and linear products. They include analog switches; multiplexers; LED drivers; LED wafer die for ESD protection; audio control ICs; RF and related high frequency products.

### CONTACT US

#### Corporate Headquarters

2929 South Fair Lane  
Tempe, Arizona 85282  
USA

#### By Telephone

General: 602-431-8101  
Sales: & Marketing: 602-414-5109  
Customer Service: 602-414-5114  
Product Technical Support: 602-414-5107

#### By Fax

General: 602-431-2288

#### By E-mail:

Asia Sales: [asiasales@protekdevices.com](mailto:asiasales@protekdevices.com)  
Europe Sales: [europesales@protekdevices.com](mailto:europesales@protekdevices.com)  
U.S. Sales: [ussales@protekdevices.com](mailto:ussales@protekdevices.com)  
Distributor Sales: [distysales@protekdevices.com](mailto:distysales@protekdevices.com)  
Customer Service: [service@protekdevices.com](mailto:service@protekdevices.com)  
Technical Support: [support@protekdevices.com](mailto:support@protekdevices.com)

#### ProTek Devices (Asia Pacific) Pte. Ltd.

8 Ubi Road 2, #06-19  
Zervex  
Singapore - 408538  
Tel: +65-67488312  
Fax: +65-67488313

#### Web

[www.protekdevices.com](http://www.protekdevices.com)

COPYRIGHT © ProTek Devices 2010 - This literature is subject to all applicable copyright laws and is not for resale in any manner.

SPECIFICATIONS: ProTek reserves the right to change the electrical and or mechanical characteristics described herein without notice.

DESIGN CHANGES: ProTek reserves the right to discontinue product lines without notice and that the final judgement concerning selection and specifications is the buyer's and that in furnishing engineering and technical assistance. ProTek assumes no responsibility with respect to the selection or specifications of such products. ProTek makes no warranty, representation or guarantee regarding the suitability of its products for any particular purpose, nor does ProTek assume any liability arising out of the application or use of any product or circuit and specifically disclaims any and all liability without limitation special, consequential or incidental damages.

LIFE SUPPORT POLICY: ProTek Devices products are not authorized for use in life support systems without written consent from the factory.