

# UT54ACS138E

3-Line to 8-Line Decoders/Demultiplexers

July, 2013

Datasheet

www.aeroflex.com/Logic



## FEATURES

- 0.6  $\mu\text{m}$  CRH CMOS process
  - Latchup immune
- High speed
- Low power consumption
- Wide power supply operating range of 3.0V to 5.5V
- Available QML Q or V processes
- 16-pin flatpack
- UT54ACS138E - SMD - 5962-96544

## DESCRIPTION

The UT54ACS138E is a 3-line to 8-line decoder/demultiplexer designed to be used in high-performance memory-decoding or data-routing applications requiring very short propagation delay times.

The conditions at the binary select inputs and the three enable inputs select one of eight output lines. Two active-low and one active-high enable inputs reduce the need for external gates of inverters when expanding. A 24-line decoder can be implemented without external inverters and a 32-line decoder requires only one inverter. An enable input can be used as a data input for demultiplexing applications.

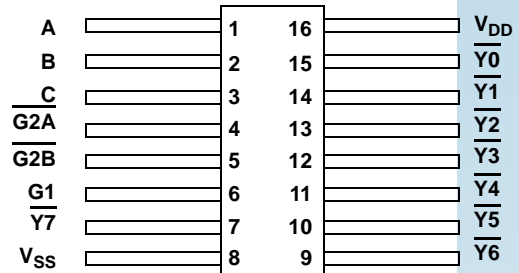
The device is characterized over full military temperature range of  $-55^{\circ}\text{C}$  to  $+125^{\circ}\text{C}$ .

## FUNCTION TABLE

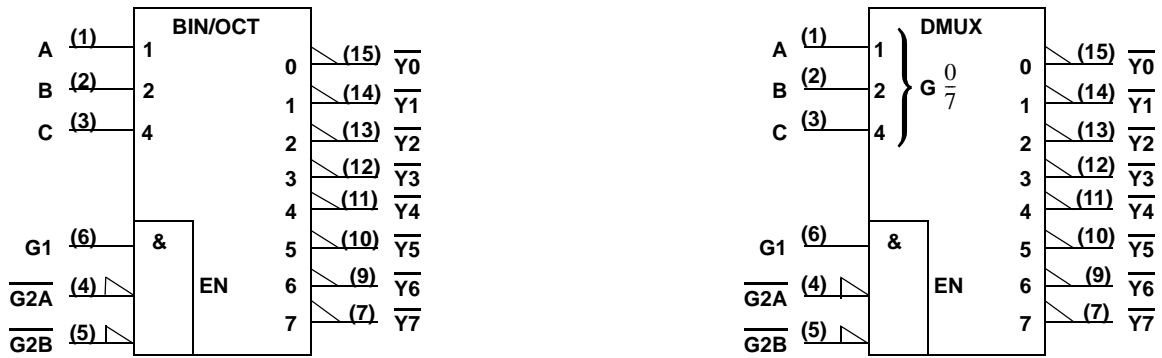
ENABLE INPUTS			SELECT INPUTS			OUTPUT							
G1	$\overline{\text{G2A}}$	$\overline{\text{G2B}}$	C	B	A	$\overline{\text{Y0}}$	$\overline{\text{Y1}}$	$\overline{\text{Y2}}$	$\overline{\text{Y3}}$	$\overline{\text{Y4}}$	$\overline{\text{Y5}}$	$\overline{\text{Y6}}$	$\overline{\text{Y7}}$
X	X	H	X	X	X	H	H	H	H	H	H	H	H
L	X	X	X	X	X	H	H	H	H	H	H	H	H
X	H	X	X	X	X	H	H	H	H	H	H	H	H
H	L	L	L	L	L	L	H	H	H	H	H	H	H
H	L	L	L	L	H	H	L	H	H	H	H	H	H
H	L	L	L	H	L	H	H	L	H	H	H	H	H
H	L	L	L	H	H	H	H	H	L	H	H	H	H
H	L	L	H	L	L	H	H	H	H	L	H	H	H
H	L	L	H	H	L	H	H	H	H	H	H	L	H
H	L	L	H	H	H	H	H	H	H	H	H	H	L

## PINOUT

16-Lead Flatpack  
Top View



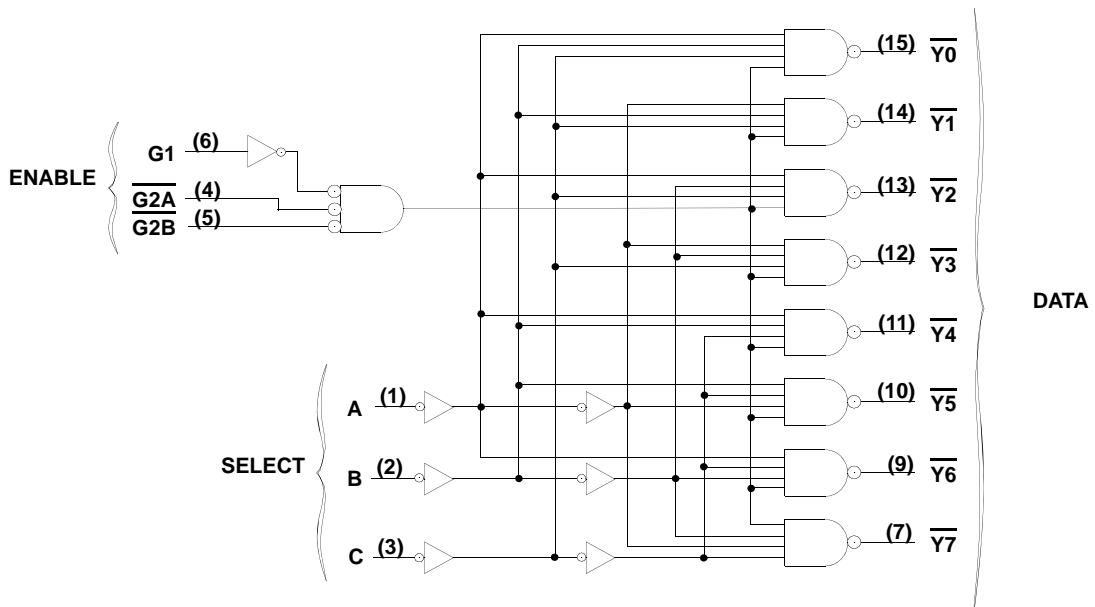
## LOGIC SYMBOL



### Note:

1. Logic symbols in accordance with ANSI/IEEE standard 91-1984 and IEC Publication 617-12.

## LOGIC DIAGRAM





## OPERATIONAL ENVIRONMENT<sup>1</sup>

PARAMETER	LIMIT	UNITS
Total Dose	1.0E6	rads(Si)
SEU Threshold <sup>2</sup>	108	MeV-cm <sup>2</sup> /mg
SEL Threshold	120	MeV-cm <sup>2</sup> /mg
Neutron Fluence	1.0E14	n/cm <sup>2</sup>

**Notes:**

1. Logic will not latchup during radiation exposure within the limits defined in the table.
2. Device storage elements are immune to SEU affects.

## ABSOLUTE MAXIMUM RATINGS

SYMBOL	PARAMETER	LIMIT	UNITS
V <sub>DD</sub>	Supply voltage	-0.3 to 7.0	V
V <sub>I/O</sub>	Voltage any pin	-.3 to V <sub>DD</sub> +.3	V
T <sub>STG</sub>	Storage Temperature range	-65 to +150	°C
T <sub>J</sub>	Maximum junction temperature	+175	°C
T <sub>LS</sub>	Lead temperature (soldering 5 seconds)	+300	°C
Θ <sub>JC</sub>	Thermal resistance junction to case	15.0	°C/W
I <sub>I</sub>	DC input current	±10	mA
P <sub>D</sub> <sup>2</sup>	Maximum power dissipation permitted @ T <sub>c</sub> =125°C	3.3	W

**Note:**

1. Stresses outside the listed absolute maximum ratings may cause permanent damage to the device. This is a stress rating only, functional operation of the device at these or any other conditions beyond limits indicated in the operational sections is not recommended. Exposure to absolute maximum rating conditions for extended periods may affect device reliability.

2. Per MIL-STD-883, method 1012.1, Section 3.4.1,  $P_D = (T_{j(max)} - T_{c(max)}) / \Theta_{jc}$

## RECOMMENDED OPERATING CONDITIONS

SYMBOL	PARAMETER	LIMIT	UNITS
V <sub>DD</sub>	Supply voltage	3.0 to 5.5	V
V <sub>IN</sub>	Input voltage any pin	0 to V <sub>DD</sub>	V
T <sub>C</sub>	Temperature range	-55 to + 125	°C

**DC ELECTRICAL CHARACTERISTICS (Pre and Post-Radiation)\***(V<sub>DD</sub> = 3.0V to 5.5V; V<sub>SS</sub> = 0V<sup>6</sup>, -55°C < T<sub>C</sub> < +125°C); Unless otherwise noted, Tc is per the temperature range ordered

SYMBOL	DESCRIPTION	CONDITION	MIN	MAX	UNIT
V <sub>IL</sub>	Low-level input voltage <sup>1</sup>	V <sub>DD</sub> from 3.0V to 5.5V		0.3 V <sub>DD</sub>	V
V <sub>IH</sub>	High-level input voltage <sup>1</sup>	V <sub>DD</sub> from 3.0V to 5.5V	0.7 V <sub>DD</sub>		V
I <sub>IN</sub>	Input leakage current	V <sub>IN</sub> = V <sub>DD</sub> or V <sub>SS</sub>	-1	1	μA
V <sub>OL</sub>	Low-level output voltage <sup>3</sup>	I <sub>OL</sub> = 100μA V <sub>DD</sub> from 3.0V to 5.5V		0.25	V
V <sub>OH</sub>	High-level output voltage <sup>3</sup>	I <sub>OH</sub> = -100μA V <sub>DD</sub> from 3.0V to 5.5V	V <sub>DD</sub> -0.25		V
I <sub>OS1</sub>	Short-circuit output current <sup>2,4</sup>	V <sub>O</sub> = V <sub>DD</sub> and V <sub>SS</sub> V <sub>DD</sub> from 4.5V to 5.5V	-200	200	mA
I <sub>OS2</sub>	Short-circuit output current <sup>2,4</sup>	V <sub>O</sub> = V <sub>DD</sub> and V <sub>SS</sub> V <sub>DD</sub> from 3.0V to 3.6V	-100	100	mA
I <sub>OL1</sub>	Low level output current <sup>8</sup> (sink)	V <sub>IN</sub> = V <sub>DD</sub> or V <sub>SS</sub> V <sub>OL</sub> = 0.4V V <sub>DD</sub> from 4.5V to 5.5V	8		mA
I <sub>OL2</sub>	Low level output current <sup>8</sup> (sink)	V <sub>IN</sub> = V <sub>DD</sub> or V <sub>SS</sub> V <sub>OL</sub> = 0.4V V <sub>DD</sub> from 3.0V to 3.6V	6		mA
I <sub>OH1</sub>	High level output current <sup>8</sup> (source)	V <sub>IN</sub> = V <sub>DD</sub> or V <sub>SS</sub> V <sub>OH</sub> = V <sub>DD</sub> -0.4V V <sub>DD</sub> from 4.5V to 5.5V	-8		mA
I <sub>OH2</sub>	High level output current <sup>8</sup> (source)	V <sub>IN</sub> = V <sub>DD</sub> or V <sub>SS</sub> V <sub>OH</sub> = V <sub>DD</sub> -0.4V V <sub>DD</sub> from 3.0V to 3.6V	-6		mA
P <sub>total1</sub>	Power dissipation <sup>7,8</sup>	C <sub>L</sub> = 50pF V <sub>DD</sub> = 4.5V to 5.5V		1.1	mW/ MHz
P <sub>total2</sub>	Power dissipation <sup>7,8</sup>	C <sub>L</sub> = 50pF V <sub>DD</sub> = 3.0V to 3.6V		0.5	mW/ MHz
I <sub>DDQ</sub>	Quiescent Supply Current	V <sub>IN</sub> = V <sub>DD</sub> or V <sub>SS</sub> V <sub>DD</sub> from 3.6V to 5.5V		10	μA

$C_{IN}$	Input capacitance <sup>5</sup>	$f = 1\text{MHz}$ $V_{DD} = 0\text{V}$		15	pF
$C_{OUT}$	Output capacitance <sup>5</sup>	$f = 1\text{MHz}$ $V_{DD} = 0\text{V}$		15	pF

**Notes:**

\* For devices procured with a total ionizing dose tolerance guarantee, the post-irradiation performance is guaranteed at 25°C per MIL-STD-883 Method 1019, Condition A up to the maximum TID level procured.

- Functional tests are conducted in accordance with MIL-STD-883 with the following input test conditions:  $V_{IH} = V_{IH}(\text{min}) + 20\%$ ,  $- 0\%$ ;  $V_{IL} = V_{IL}(\text{max}) + 0\%$ ,  $- 50\%$ , as specified herein, for TTL, CMOS, or Schmitt compatible inputs. Devices may be tested using any input voltage within the above specified range, but are guaranteed to  $V_{IH}(\text{min})$  and  $V_{IL}(\text{max})$ .
- Supplied as a design limit but not guaranteed or tested.
- Per MIL-PRF-38535, for current density  $\leq 5.0\text{E}5$  amps/cm<sup>2</sup>, the maximum product of load capacitance (per output buffer) times frequency should not exceed 3,765pF/MHz.
- Not more than one output may be shorted at a time for maximum duration of one second.
- Capacitance measured for initial qualification and when design changes may affect the value. Capacitance is measured between the designated terminal and  $V_{SS}$  at frequency of 1MHz and a signal amplitude of 50mV rms maximum.
- Maximum allowable relative shift equals 50mV.
- Power dissipation specified per switching output.
- Parameter guaranteed by design and characterization, but is not tested.

**AC ELECTRICAL CHARACTERISTICS (Pre and Post-Radiation)\***

( $V_{DD} = 3.0\text{V}$  to  $5.5\text{V}$ ;  $V_{SS} = 0\text{V}$  <sup>1</sup>,  $-55^\circ\text{C} < T_C < +125^\circ\text{C}$ ); Unless otherwise noted, Tc is per the temperature range ordered

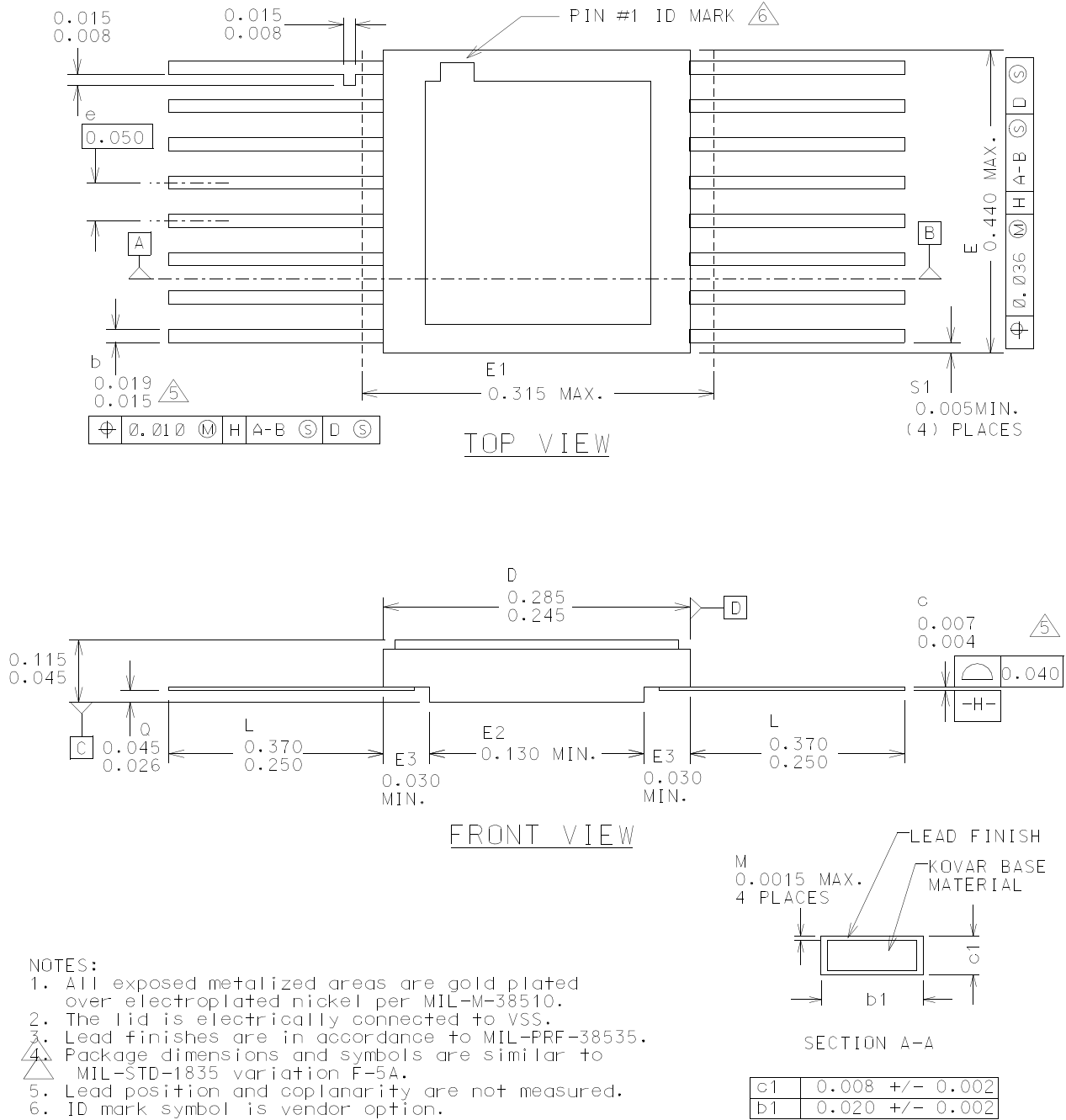
SYMBOL	PARAMETER	CONDITION	$V_{DD}$	MINIMUM	MAXIMUM	UNIT
$t_{PLH1}$	Binary select to $\overline{Y}_n$	$C_L = 50\text{pF}$	3.0V to 3.6V	4	19	ns
			4.5V to 5.5V	3	10	
$t_{PHL1}$	Binary select to $\overline{Y}_n$	$C_L = 50\text{pF}$	3.0V to 3.6V	4	19	ns
			4.5V to 5.5V	3	10	
$t_{PLH2}$	Enable to Output $\overline{Y}_n$	$C_L = 50\text{pF}$	3.0V to 3.6V	3	19	ns
			4.5V to 5.5V	3	10	
$t_{PHL2}$	Enable to Output $\overline{Y}_n$	$C_L = 50\text{pF}$	3.0V to 3.6V	4	19	ns
			4.5V to 5.5V	3	10	

**Notes:**

\* For devices procured with a total ionizing dose tolerance guarantee, the post-irradiation performance is guaranteed at 25°C per MIL-STD-883 Method 1019, Condition A up to the maximum TID level procured.

- Maximum allowable relative shift equals 50mV.

# Packaging

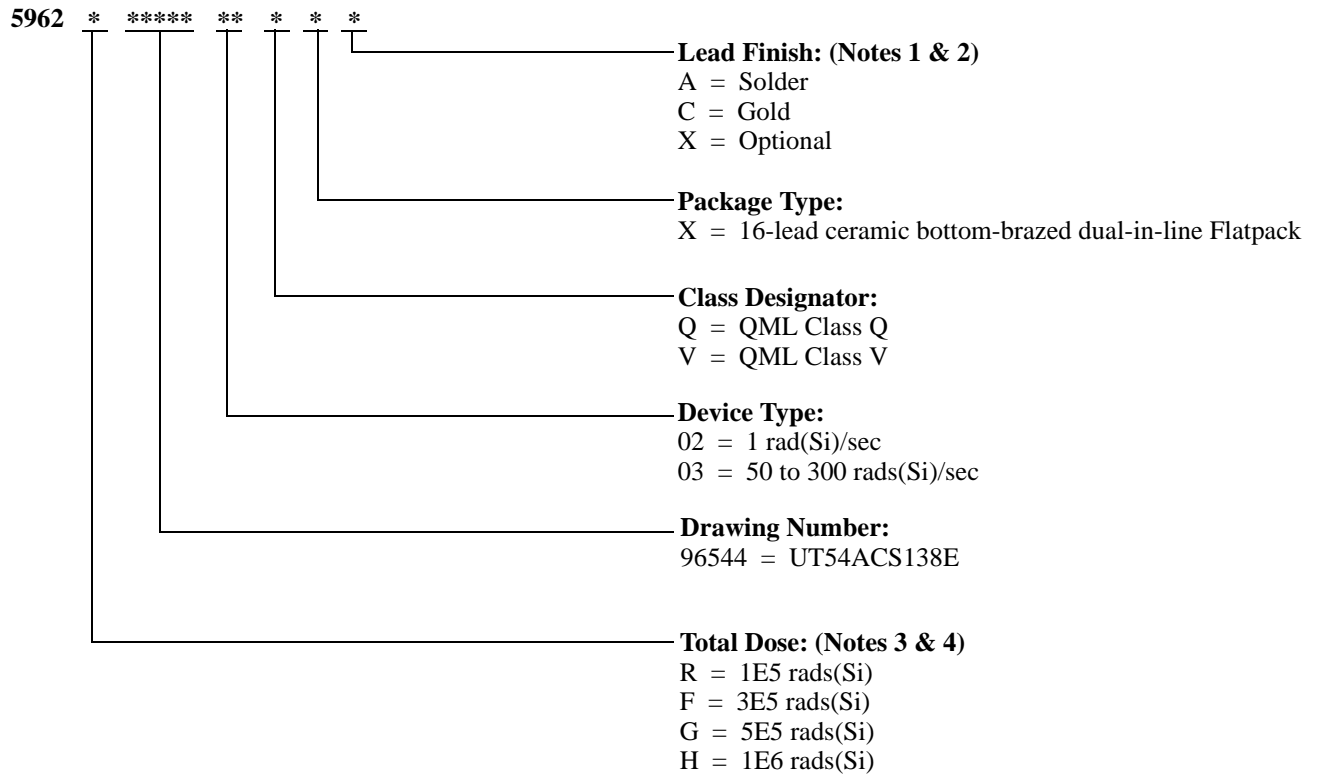


**NOTES:**

1. All exposed metalized areas are gold plated over electroplated nickel per MIL-M-38510.
2. The lid is electrically connected to VSS.
3. Lead finishes are in accordance to MIL-PRF-38535.
4. Package dimensions and symbols are similar to MIL-STD-1835 variation F-5A.
5. Lead position and coplanarity are not measured.
6. ID mark symbol is vendor option.

**Figure 1. 16-lead Flatpack**

**UT54ACS138E: SMD**



**Notes:**

1. Lead finish (A,C, or X) must be specified.
2. If an "X" is specified when ordering, part marking will match the lead finish and will be either "A" (solder) or "C" (gold).
3. Total dose radiation must be specified when ordering. QML Q and QML V not available without radiation hardening. For prototype inquiries, contact factory.
4. Device type 02 is only offered with a TID tolerance guarantee of 3E5 rads(Si) or 1E6 rads(Si) and is tested in accordance with MIL-STD-883 Test Method 1019 Condition A and section 3.11.2. Device type 03 is only offered with a TID tolerance guarantee of 1E5 rads(Si), 3E5 rads(Si), and 5E5 rads(Si), and is tested in accordance with MIL-STD-883 Test Method 1019 Condition A.



# *Aeroflex Colorado Springs - Datasheet Definition*

**Advanced Datasheet - Product In Development**

**Preliminary Datasheet - Shipping Prototype**

**Datasheet - Shipping QML & Reduced Hi-Rel**

**COLORADO**

Toll Free: 800-645-8862  
Fax: 719-594-8468

**INTERNATIONAL**

Tel: 805-778-9229  
Fax: 805-778-1980

**NORTHEAST**

Tel: 603-888-3975  
Fax: 603-888-4585

**SE AND MID-ATLANTIC**

Tel: 321-951-4164  
Fax: 321-951-4254

**WEST COAST**

Tel: 949-362-2260  
Fax: 949-362-2266

**CENTRAL**

Tel: 719-594-8017  
Fax: 719-594-8468

*[www.aeroflex.com](http://www.aeroflex.com)    [info-ams@aeroflex.com](mailto:info-ams@aeroflex.com)*

Aeroflex Colorado Springs (Aeroflex) reserves the right to make changes to any products and services herein at any time without notice. Consult Aeroflex or an authorized sales representative to verify that the information in this data sheet is current before using this product. Aeroflex does not assume any responsibility or liability arising out of the application or use of any product or service described herein, except as expressly agreed to in writing by Aeroflex; nor does the purchase, lease, or use of a product or service from Aeroflex convey a license under any patent rights, copyrights, trademark rights, or any other of the intellectual rights of Aeroflex or of third parties.



Our passion for performance is defined by three attributes represented by these three icons: solution-minded, performance-driven and customer-focused