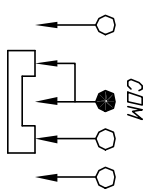


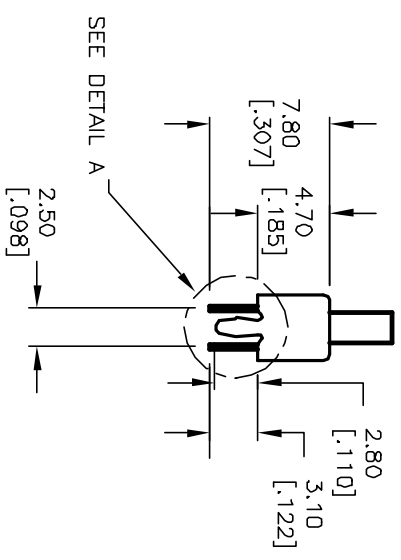
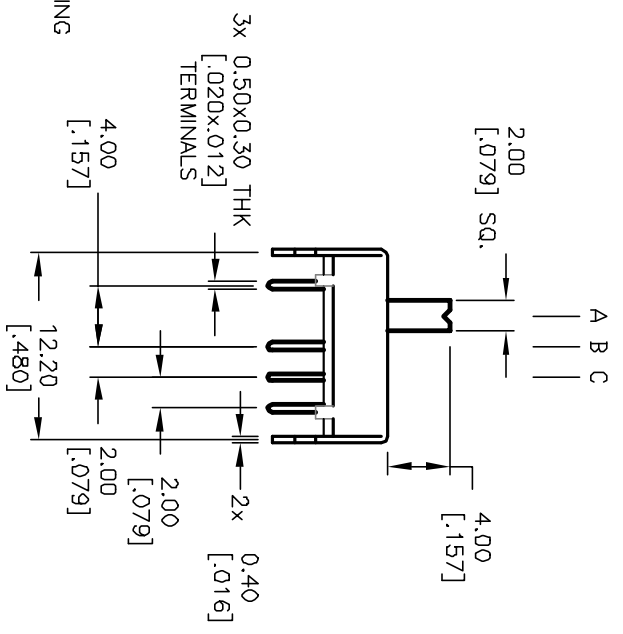
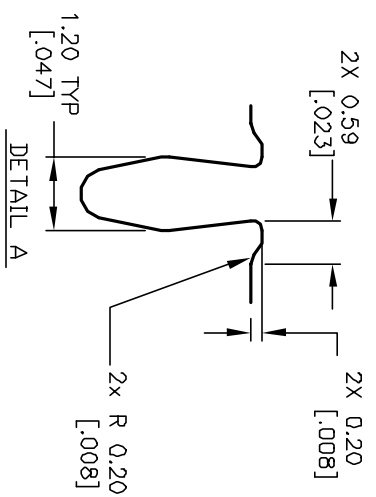
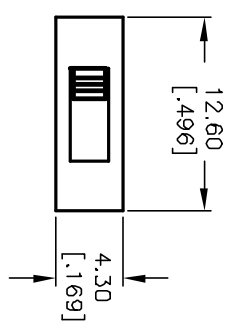
RECOMMENDED P.C.B. LAYOUT



CIRCUIT, SP3T

NOTES:

1. ALL DIMENSIONS IN MM [INCH]
2. GENERAL TOLERANCE: X.XX=±0.4 X.XX=±0.25
3. TERM. NOS. FOR REFERENCE ONLY.
4. CONTACT MATERIAL: COPPER ALLOY W/SILVER PLATING
5. RATING: 0.3A @30V DC
6. CONTACT RESISTANCE: >20MILLI-OHMS max.
7. INSULATION RESISTANCE: 500VDC-100Mega-OHMS min.
8. WITHSTAND VOLTAGE: 500V-1minute
9. OPERATING FORCE: A-B, C-B 200±100gf B-A, B-C 250±150gf
10. STROKE: 2mm
11. FULL TRAVEL: 4mm
12. TIMING: NON-SHORTING



REV.	ECN No.	DESCRIPTION	DATE	CHKD
A	12159	RELEASED	5/20/02	CJC

TITLE	SCALE	DATE	DR	DWG	REV
EG 1230	2:1	5/20/02	CJC	P040032	A



THE INFORMATION CONTAINED IN THIS DOCUMENT IS PROPRIETARY TO E-SWITCH AND IS NOT TO BE COPIED OR TRANSFERRED