



N Female Right Angle Bulkhead Connector Solder
 Attachment Thru Hole PCB, .596 inch D Hole

TECHNICAL DATA SHEET

PE44398

Configuration

Connector	N Female
Connector Specification	MIL-STD-348A
Connector Interface Type	Thru Hole
Cable Attachment Method (Shield/Contact)	Solder
Body Style	Right Angle
Mount Method	Bulkhead

Electrical Specifications

Frequency Range, GHz	DC to 10
Impedance, Ohms	50
Maximum Operating Voltage, Volts	1,000
Dielectric Withstanding Voltage, Vrms	2,500

Mechanical Specifications

Temperature

Operating Range, deg C	-65 to +165
------------------------	-------------

Size

Length, in [mm]	1.631 [41.43]
Width/Dia., in [mm]	0.748 [19.00]
Height, in [mm]	1.04 [26.42]
Weight, lbs [g]	0.137 [62.14]

Connector

Type	N Female
Contact Material and Plating	Brass/Beryllium Copper, Silver
Contact Plating Specification	70µ in. minimum
Body Material and Plating	Brass, Nickel
Body Plating Specification	100µ in. minimum
Dielectric Type	Teflon

Compliance Certifications (visit www.Pasternack.com for current document)

RoHS Compliant	Yes
REACH Compliant	06/18/2012

Click the following link (or enter part number in "SEARCH" on website) to obtain additional part information including price, inventory and certifications: [N Female Right Angle Bulkhead Connector Solder Attachment Thru Hole PCB, .596 inch D Hole PE44398](#)

The information contained in this document is accurate to the best of our knowledge and representative of the part described herein. It may be necessary to make modifications to the part and/or the documentation of the part, in order to implement improvements. Pasternack reserves the right to make such changes as required. Unless otherwise stated, all specifications are nominal.





N Female Right Angle Bulkhead Connector Solder
Attachment Thru Hole PCB, .596 inch D Hole

TECHNICAL DATA SHEET

PE44398

Plotted and Other Data

Notes:

Values at 25 °C, sea level

N Female Right Angle Bulkhead Connector Solder Attachment Thru Hole PCB, .596 inch D Hole from Pasternack Enterprises has same day shipment for domestic and International orders. Our RF, microwave and fiber optic products maintain a 99% availability and are part of the broadest selection in the industry.

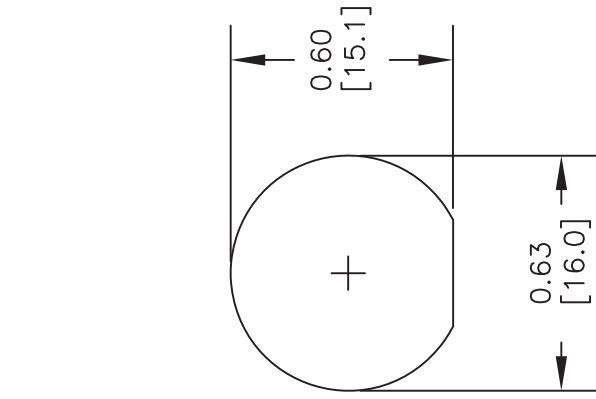
Click the following link (or enter part number in "SEARCH" on website) to obtain additional part information including price, inventory and certifications: [N Female Right Angle Bulkhead Connector Solder Attachment Thru Hole PCB, .596 inch D Hole PE44398](http://www.pasternack.com/n-female-right-angle-bulkhead-connector-solder-attachment-thru-hole-pcb-.596-inch-d-hole-pe44398)

URL: <http://www.pasternack.com/n-female-standard-thru-hole-pcb-connector-pe44398-p.aspx>

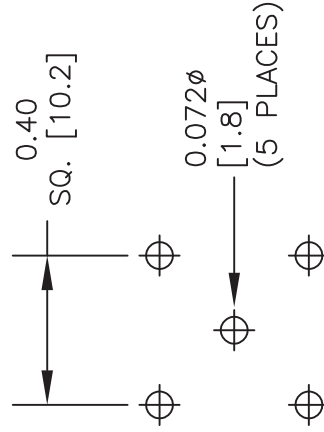
The information contained in this document is accurate to the best of our knowledge and representative of the part described herein. It may be necessary to make modifications to the part and/or the documentation of the part, in order to implement improvements. Pasternack reserves the right to make such changes as required. Unless otherwise stated, all specifications are nominal.

PE44398 CAD Drawing

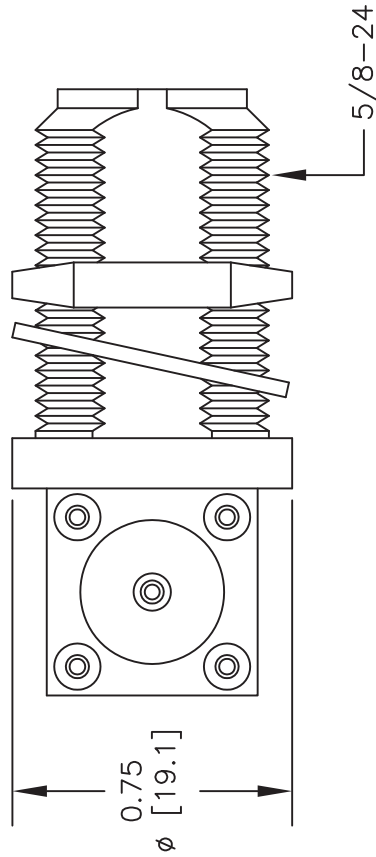
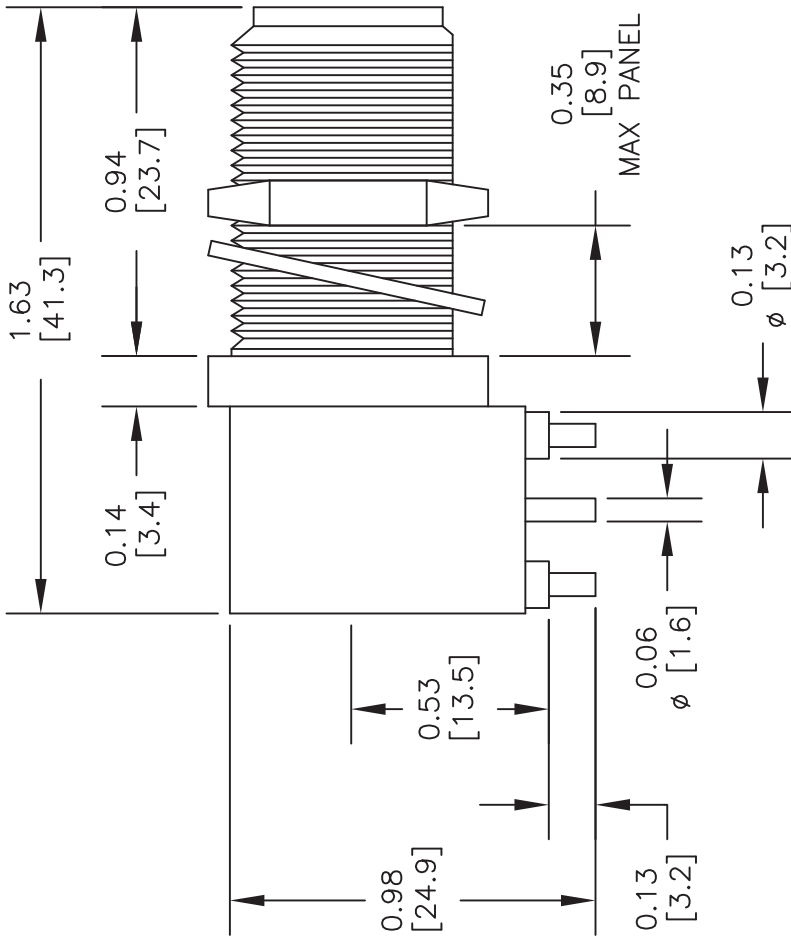
N Female Right Angle Bulkhead Connector Solder
Attachment Thru Hole PCB, .596 inch D Hole



MOUNTING HOLE



MOUNTING HOLES



DWG TITLE

PE44398

NOTES:
1. UNLESS OTHERWISE SPECIFIED ALL DIMENSIONS ARE NOMINAL.
2. ALL SPECIFICATIONS ARE SUBJECT TO CHANGE WITHOUT NOTICE AT ANY TIME.
3. DIMENSIONS ARE IN INCHES [mm].
4. FITS MIL-C-17 AND EQUIVALENT CABLES.

FSCM NO. 53919

CAD FILE 010614

SCALE N/A

SIZE A

2233

PE PASTERNAK®
Pasternack Enterprises, Inc.
P.O. Box 16759 | Irvine | CA | 92623
Phone: (949) 261-1920 | Fax: (949) 261-7451
Website: www.pasternack.com | E-Mail: sales@pasternack.com