

50 Amp Power PCB Relay PTRE-OT



OT2/OT3



OT4/OT5

FACTORY RATINGS

Load Type	Voltage	1 Form A (SPST-NO)	1 Form B (SPST-NC)	1 Form C (SPDT)	
				NO	NC
Resistive 6,000 Cycles	240 VAC 30 VDC	50 A	40 A	50 A	40 A
Lamp 3,000 Cycles	240 VAC	TV-5	—	TV-5	—
Electric Ballast 6,000 Cycles	280 VAC	5 A	—	5 A	—
Motor Load 3,000 Cycles	250 VAC	2 HP	1.5 HP	2 HP	1.5 HP

CHARACTERISTIC

Operate Time	15 ms Max.
Release Time	10 ms Max
Insulation Resistance	1,000 MΩ min, at 500 VDC
Dielectric Strength	50 Hz 2,500 V 1 Min Between Coil and Contacts
	50 Hz 1,500 V 1 min. Between Contacts
Shock Resistance	200 m/s ² , 11 ms
Vibration Resistance	10 - 55 Hz Double Amplitude
Terminal Strength	10N
Power Consumption	1.5 W

ORDERING INFORMATION

Example:	PTRE	-1C	-12	E
Model:	PTRE (PTRE-OT)			
Contact Form:	1A, 1B or 1C			
Coil Voltage:	3, 5, 6, 9, 12, 15, 24, 48, 110			
Enclosure:	C: Dust Cover; S: (OT2 & OT3 Only) Sealed; E: (OT4 & OT5 Only) Epoxy Sealed, Not Water Washable			
Contact Material:	Nil: AgCdO; T: AgSnO ₂			
Insulation Material:	F: Class F			
Mounting Type:	OT2: 1 Form A PCB & QC; OT3: 1 Form C PCB & QC; OT4: 1 Form A Panel all QC; OT5: 1 Form C Panel all QC			
RoHS Compliant:	-X			
Pinout:	A: Alternate Quick Connect Pinout (OT2 & OT3 Only)			

FEATURES

- Most Popular Power PCB Relay Footprint - T91
- 50 Amp 240 VAC General Purpose UL Rating
- 2 HP 250 VAC Rating
- Two Versions:
 - ◆ OT2 (1A), OT3 (1C) PC Pins & QC Pins
 - ◆ OT4 (1A), OT5 (1C) QC Pins with Mounting Tabs
- UL Class F Insulation Standard
- Meets UL 508 and UL 873 Spacing
- RoHS Compliant

UL 160644 at 40°C

Load Type	Cycles	Voltage	1 Form C (SPDT)	
			NO	NC
General Purpose (Resistive)	10,000	240 VAC/30 VDC	50 A	35 A
	50,000	240 VAC/30 VDC	40 A	30 A

UL 508 and UL 873 Spacing - 3.18 mm Through Air, 6.36 mm Over Surface.

CONTACT DATA

Material	AgCdO, AgSnO ₂	
Initial Contact Resistance	30 mΩ max @ 1 A, 6 VDC	
Maximum Switching Voltage	110 VDC, 300 VAC	
Maximum Switching Current	50 A	
Maximum Switching Power	1,500 W, 12,500 VA	
Service Life	Mechanical	1 X 10 ⁷ Operations
	Electrical	5 X 10 ⁴ Operations

CHARACTERISTIC Continued

Solderability	235 °C for 3 secs
Operating Temperature Range	-55°C to 85°C
Storage Temperature Range	-40°C to 155°C
Relative Humidity	85% (at 40°C)
Weight	30 grams
Material Compliant To	EU RoHS V2, EU REACH V3

COIL DATA

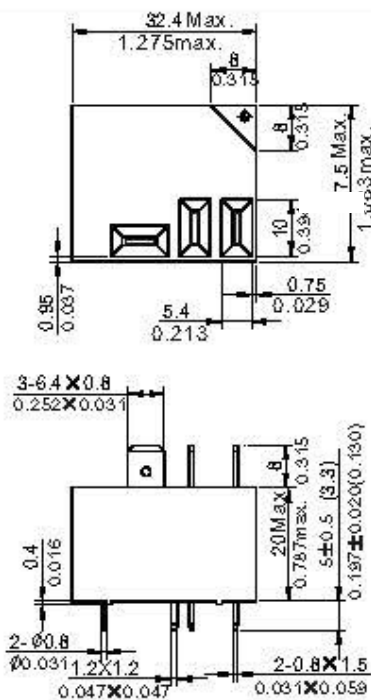
Coil Voltage		Resistance (Ohms ± 10%)	Must Operate Voltage Max (VDC)	Must Release Voltage Min. (VDC)	Coil Power (W)
Rated	Max				
3	3.9	6.0	2.25	0.3	1.5
5	6.5	16.7	3.75	0.5	
6	7.8	24.0	4.50	0.6	
9	11.7	54.0	6.75	0.9	
12	15.6	96.0	9.00	1.2	
15	19.5	150	10.25	1.5	
18	23.4	216	13.50	1.8	
24	31.2	384	18.00	2.4	
48	62.4	1,536	36.00	4.8	
110	143	8,067	82.50	11.0	

NOTES:

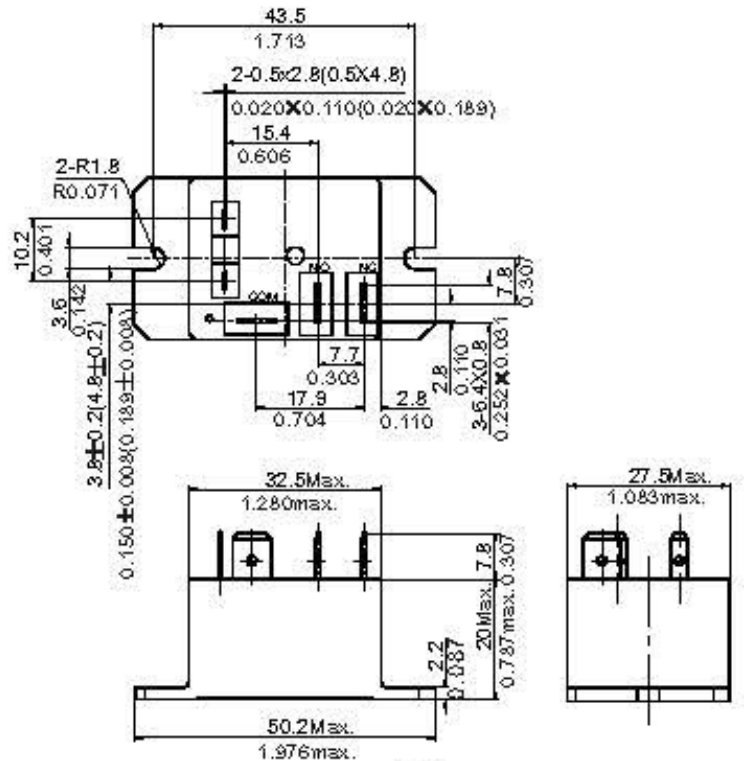
The use of any coil voltage less than the rated voltage will compromise the operation of the relays. Must Operate Voltage is listed for test purposes only and is not to be used as design criteria. Pickup and release voltages are for test purposes only and are not to be used as design criteria. Dimensions are in mm, Inches are listed for reference only.

MOUNTING TYPE (mm/inches)

Knock off, on top corner, nib for ventilation after soldering and water wash.



“OT2” & “OT3”



“OT4” & “OT5”



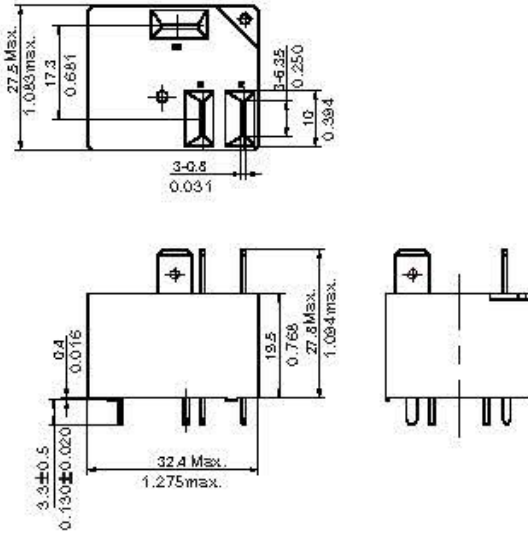
3220 Commander Drive, Suite 102 Carrollton, TX 75006
Sales: (972) 713-6272 (888) 997-3933

Fax: (972) 735-0964

www.PickerComponents.com
e-mail: sales@pickercomponents.com

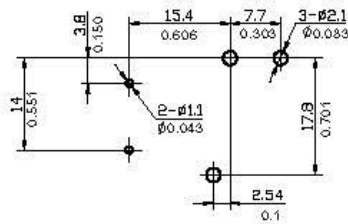
ALTERNATE MOUNTING TYPE (mm/inches)

Knock off, on top corner, nib for ventilation after soldering and water wash.



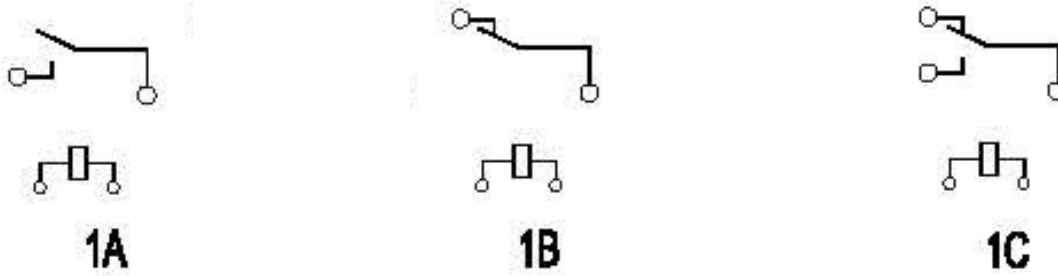
**“A”
OT2 & OT3**

PRINTED CIRCUIT BOARD LAYOUT



(Bottom View)

CONTACT FORMS



(Bottom View)



3220 Commander Drive, Suite 102 Carrollton, TX 75006
Sales: (972) 713-6272 (888) 997-3933

Fax: (972)735-0964

www.PickerComponents.com
e-mail: sales@pickercomponents.com