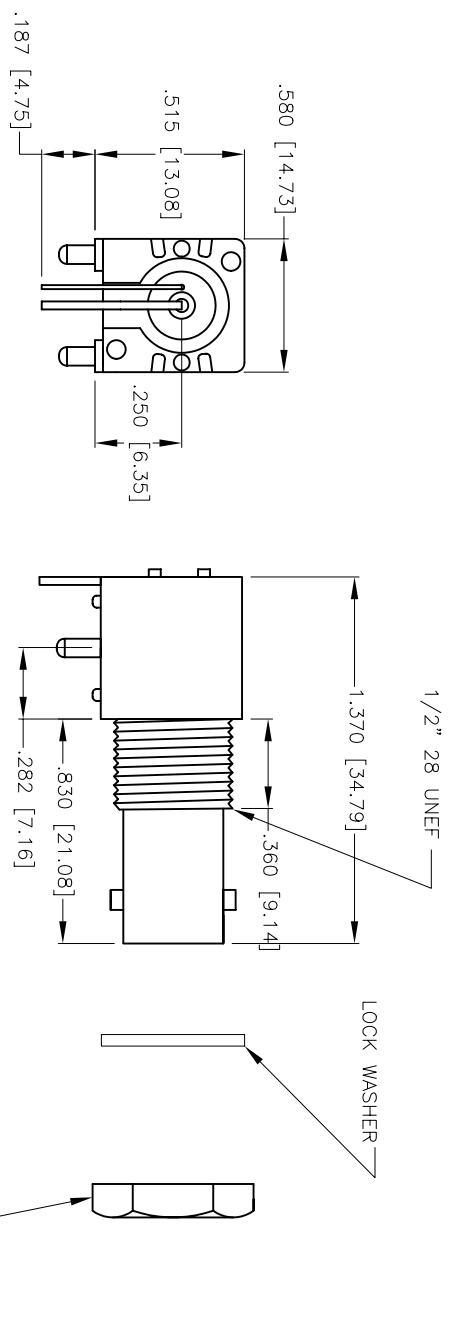
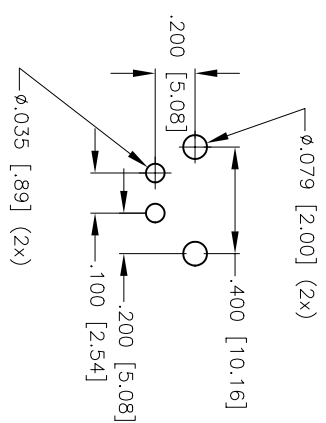


Rev	AWO #	Description	Date	Appr
-		RELEASED	4/2/04	

APPROVED: _____
 DATE: _____ TITLE: _____



**PC Board Layout
 Right Angle Mount**



CONNECTOR SPECIFICATIONS:

MATERIAL:

Shell: Zinc
 Insulator: PBT, rated UL94V-0
 Insulator Color: White
 Dielectric: Polypropylene
 Contacts: Phosphor Bronze

PLATING:

15 uin gold on mating area
 200 uin (min) tin-lead on solder tails

ELECTRICAL:

Operating Voltage: 500 VAC max.
 Impedance: 75 ohms; Frequency Range: 0-4 GHz
 Contact Resistance: Inner: 6 - Outer; 3 mohms
 Insulation Resistance: 5000 Mohms (min.) @ 1500 VDC
 between adjacent contacts (75°F and 50 % R.H.)
 Dielectric Withstanding Voltage: 1500 VAC (min.) rms

MECHANICAL:

insertion Force: 0 gms.
 Cable Retention: 60 lbs. (min.)
 Mating Durability: 500 cycles (min.)
TEMPERATURE RATING:
 Operating Temperature: -55°C to +85°C

UNLESS OTHERWISE SPECIFIED
 ALL DIMENSIONS ARE MM [INCHES]
 TOLERANCES: EXCEPT AS NOTED
 INCHES

.X	± .10	ØX	± .10
.XX	± .020	ØXXX	± .015
.XXX	± .015	ØXXXX	± .010

APPROVALS: _____ DATE: _____

DRAWN: SLS 4/2/04
 CHECKED: _____
 APPROVED: _____

ADAM TECH
 909 Rahway Avenue, Union, NJ 07083
 Phone: 908-687-5000 Fax: 908-687-5710

TITLE: **Right Angle BNC Connector, 75 OHM**

SIZE	PART NO.	REV.
X	RF1-01-P-00-75-WT-HDW	-

REF: _____ SCALE: NTS SHEET 1 OF 1