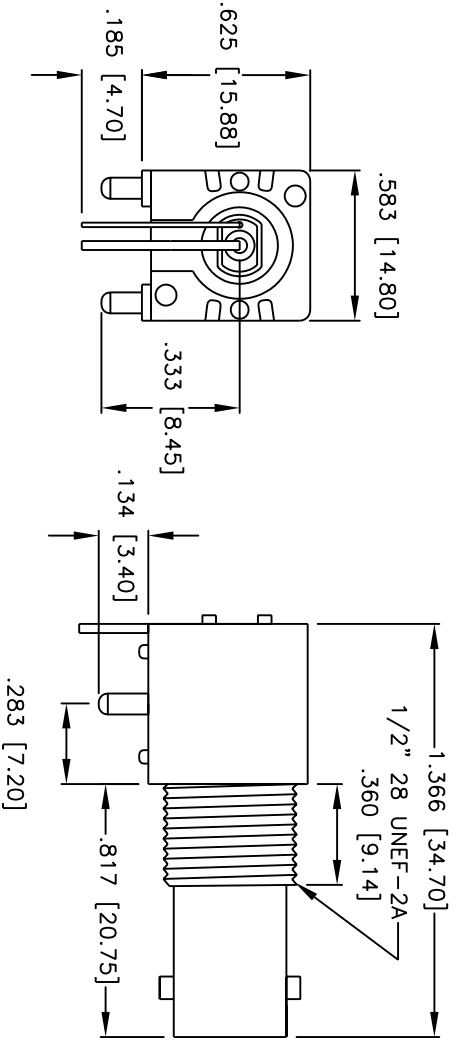
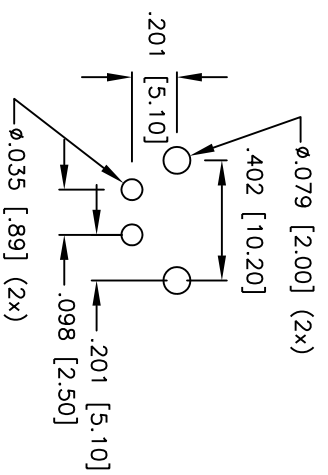


Rev	Description	Date	Appr
-	Preliminary	09/04/98	

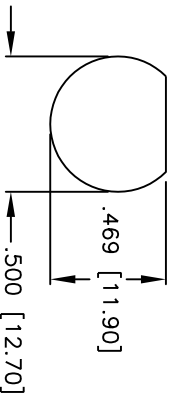
APPROVED: _____



RECOMMENDED
PCB LAYOUT
RIGHT ANGLE MOUNT



RECOMMENDED
PANEL CUTOUT



SPECIFICATIONS:

- Material: Housing: Polybutylene Terephthalate (PBT) Color White. Contact: Phosphor Bronze, gold & tin plating
- Body: Zinc Alloy
- Electrical:
 - Nominal Impedance: 50 ohms
 - Frequency range: 0-4 GHz
 - Maximum peak voltage: 500V
 - Insulation resistance: 5000 Mohm min @ 500 VDC
 - Dielectric withstanding voltage: 1500 VAC rms

<h1>ADAM TECH</h1>		DESCRIPTION: Right Angle BNC	
		PART NUMBER: RF1-01A-00-D-50-WT	
Dimension in IN [MM]		DRAWN : SS	SHEET 1
Tolerance (Unless Otherwise Specified) XX ± .01 XXX ± .005		APPR : -	LOG
Date: 09/04/98	SCALE : NTS		REF.
			REV. -