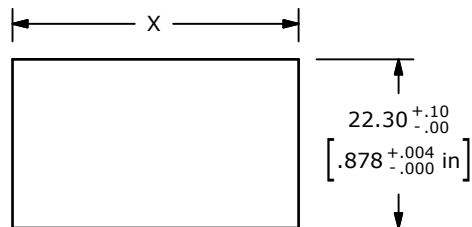
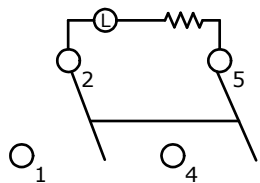
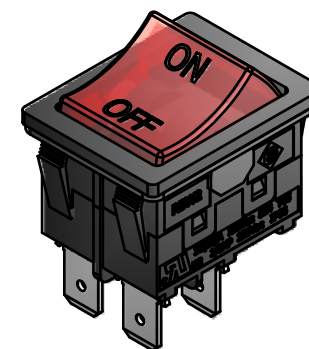
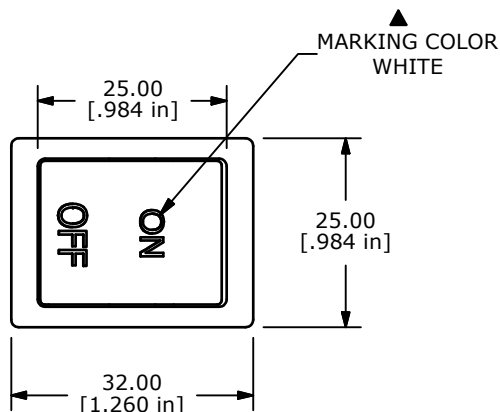


| SWITCH FUNCTION ▲ |        |          |
|-------------------|--------|----------|
| POS. 1            | POS. 2 | POS. 3   |
|                   |        |          |
| OFF               | NONE   | ON       |
| OPEN              | N/A    | 2-1, 5-4 |



RECOMMENDED PANEL MOUNTING

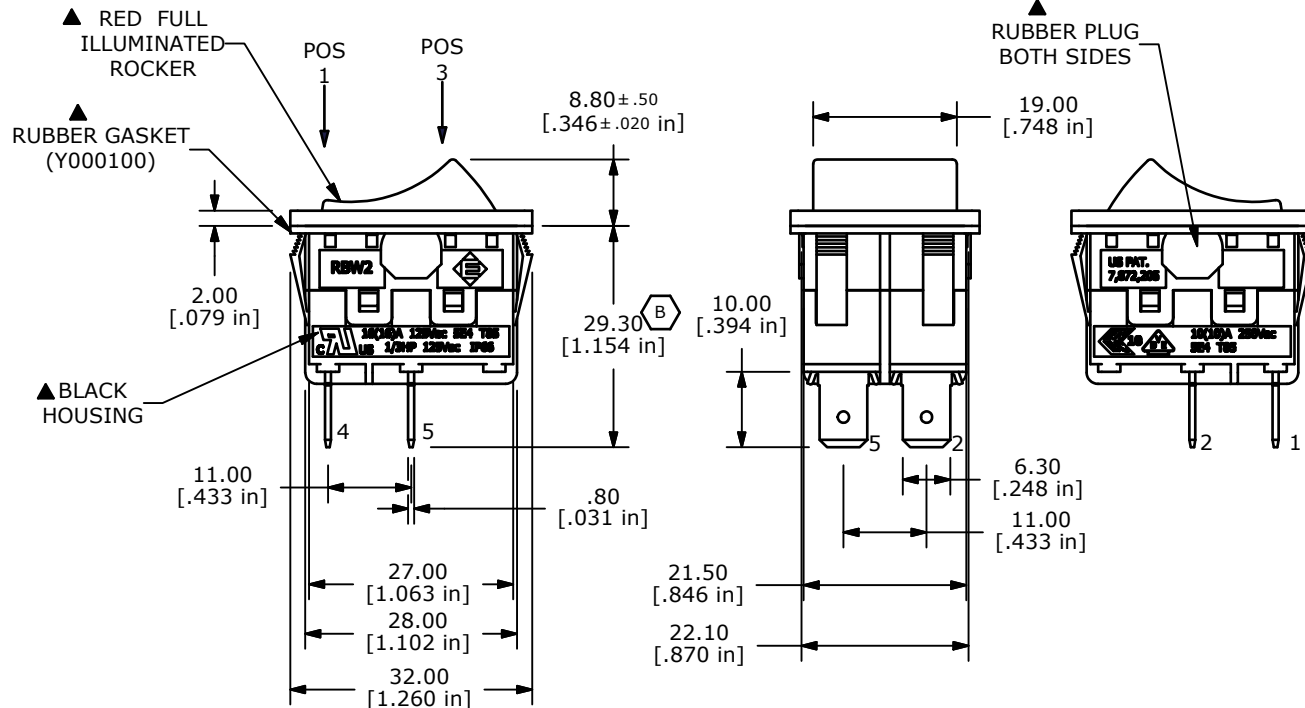
| PANEL THICKNESS | X         |
|-----------------|-----------|
| 1.2-1.8         | 29.9/30.0 |
| 1.8-2.4         | 30.3/30.4 |
| 2.4-3.0         | 30.7/30.8 |



CIRCUIT: SPDT FUNCTIONS

NOTES:

1. ALL DIMENSIONS IN MM [INCH]
2. GENERAL TOLERANCE: X.X=±0.4  
X.XX=±0.25
3. TERM. NOS. FOR REF. ONLY
4. RATING: CUL: 16(16)A 125VAC 5E4 T85  
1/3HP 125VAC IP66  
VDE: 10(10)A 250VAC 5E4 T85
5. MECHANICAL LIFE: 50,000 CYCLES
6. CONTACT RESISTANCE: <30 MILLI-OHMS INITIAL
7. DIELECTRIC STRENGTH: 1000V AC 1MIN
8. ▲ DENOTES CRITICAL PARAMETER.
9. INSULATION RESISTANCE: 500M OHMS AT 500VDC
10. OPERATING TEMP: -20°C to 85°C
- ▲11. LAMP: 125VAC NEON
12. RATING: IP66
13. 2002/95/EC (ROHS) COMPLIANT



| REV | PCR NO | DESCRIPTION                      | DATE    | BY  |
|-----|--------|----------------------------------|---------|-----|
| B   | 20086  | ADD RUBBER GASKET, DIM was 29.00 | 8/10/11 | BGL |
| A   | 19860  | New Release                      | 4/19/11 | BGL |

|                      |                |        |             |       |
|----------------------|----------------|--------|-------------|-------|
| TITLE RBW2ABLKRILIF1 |                |        |             |       |
| SCALE 2:1            | DATE 4/19/2011 | DR BGL | DWG Y100008 | REV B |