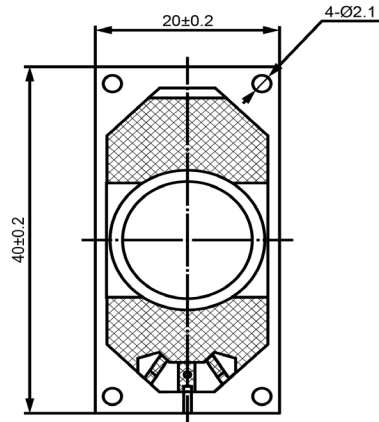
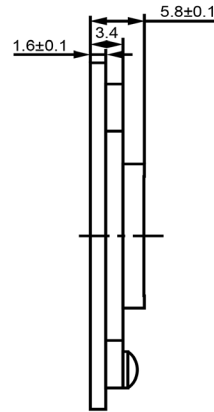


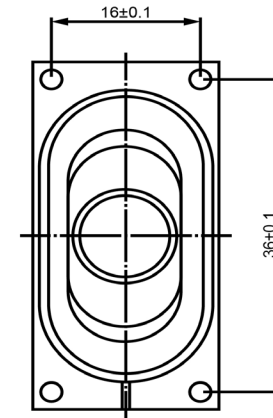
TOP VIEW





SIDE VIEW



BOTTOM VIEW



Specifications			Notes	Revision History					
Description	Value	Unit		Version	Description	Date	Approved		
Shape	Rectangle		1) All dimensions are in mm unless otherwise noted 2) All parts meet RoHS	1	Released from Engineering	2/5/2014	J.S.		
Resonant Frequency	650	(Hz)							
Frequency Range	200 ~ 20,000	(Hz)							
SPL @ 10cm	90	(dBA)							
Impedance	8	(Ohm)							
Cone Material	Cloth								
Nominal Power	2.0	(W)							
Max Power	2.5	(W)							
Mount Type	Frame Mount								
Operating Temperature	-40 ~ +85	°C							
Storage Temperature	-40 ~ +85	°C							
Weight	7.6	(g)							
 DB UNLIMITED						High Temp Dynamic Speaker		SC400608-1	
						Drawn by: G.W. Date: 1/27/2014 Checked by: C.E. Date: 2/5/2014 Approved by: J.S. Date: 2/5/2014			