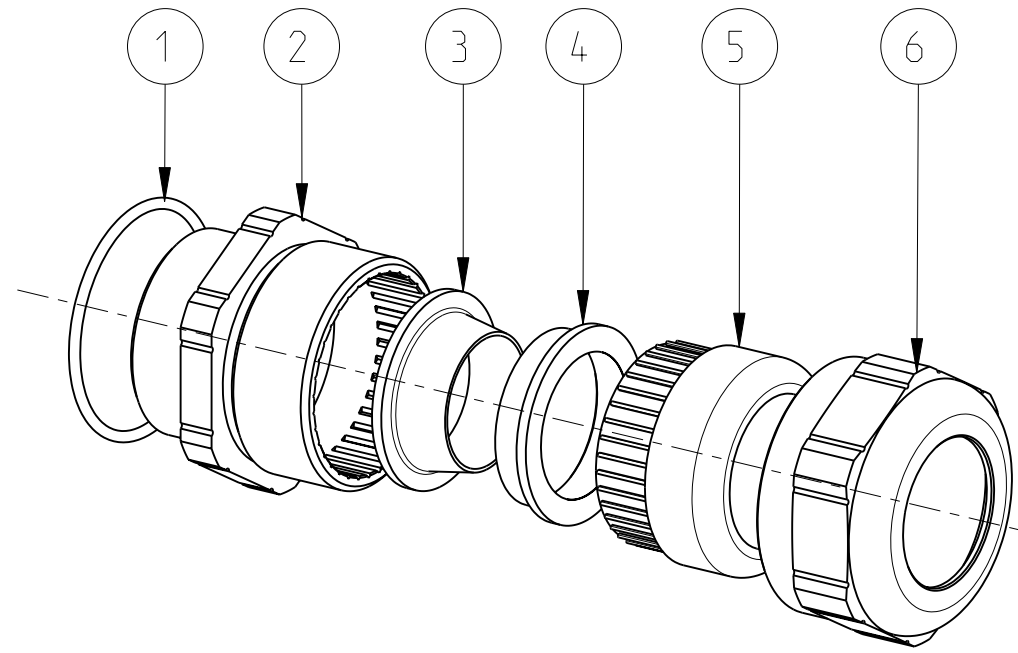
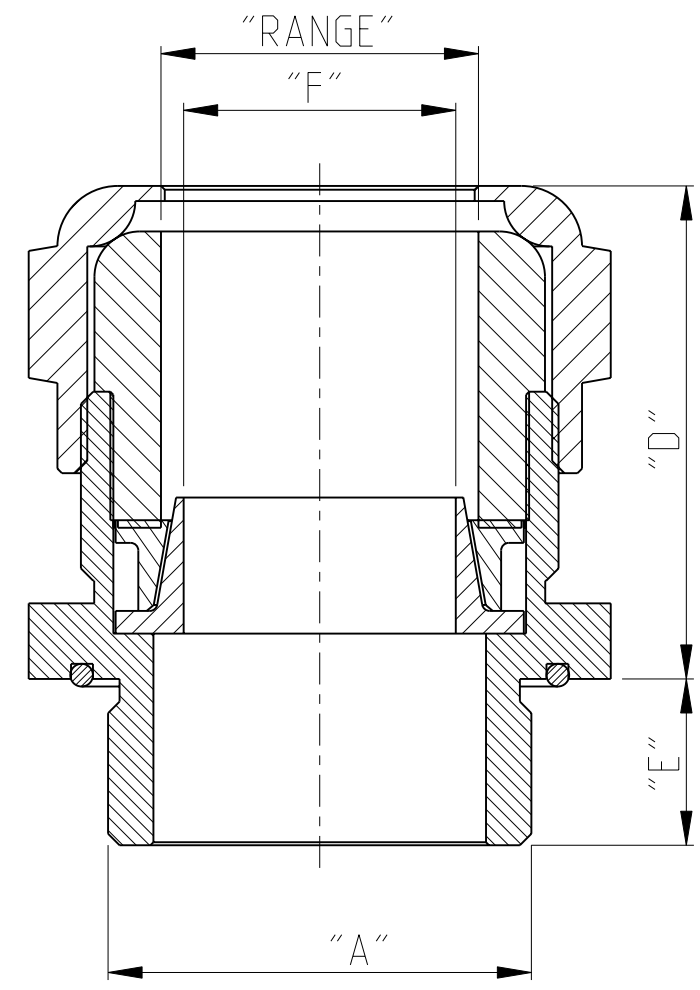


THIS DRAWING IS UNPUBLISHED. RELEASED FOR PUBLICATION 2006
 © COPYRIGHT 2006 BY TYCO ELECTRONICS CORPORATION. ALL RIGHTS RESERVED.

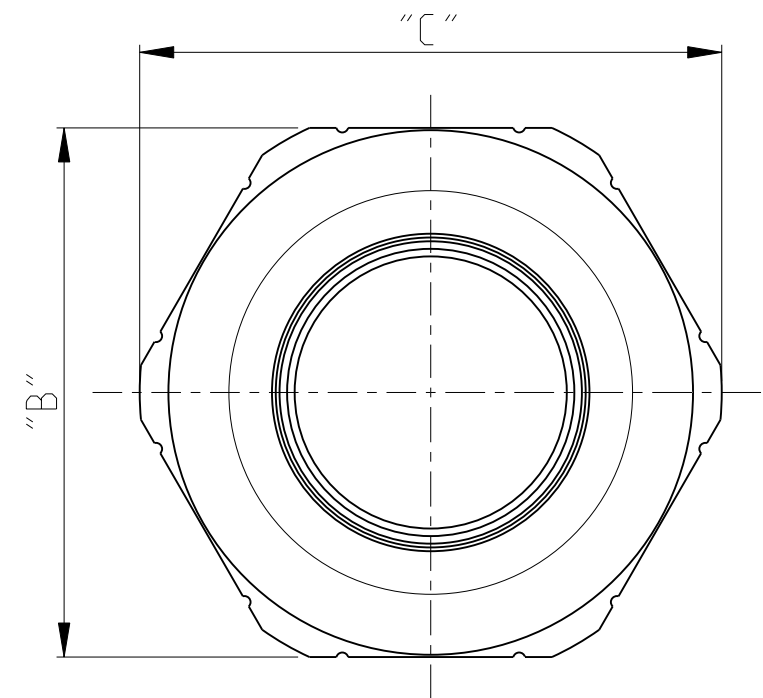
| LOC | DIST | REVISIONS | | | |
|-----|------|-------------|-----------|-----------|-------|
| P | LTR | DESCRIPTION | DATE | DWN | APVD |
| A1 | - | A1 | NEW DRAWN | 21JUL2009 | GW BR |



Notes
 1 PACKAGING: 10 PIECES IN A CARTON
 2 PACKAGING: 5 PIECES IN A CARTON

| QTY. | DESCRIPTION | MATERIAL | SURFACE / COLOR | ITEM |
|------|----------------|----------|-----------------|------|
| 1 | SEALING INSERT | TPE-V | | 6 |
| 1 | PRESSURE NUT | BRASS | NICKEL PLATED | 5 |
| 1 | OUTER CONE | BRASS | NICKEL PLATED | 4 |
| 1 | INNER CONE | BRASS | NICKEL PLATED | 3 |
| 1 | DOUBLE NIPPLE | BRASS | NICKEL PLATED | 2 |
| 1 | O-RING | NBR | BLACK | 1 |

PARTS LIST



| 2 | 2-5 | PG 29 | 40 | 43.5 | 39 | 13 | 24 | 26.0-22.0 | 0.153 |
|----------|-----|---------|-----|------|-----|-----|---------|-------------|-------|
| 2 | 2-3 | PG 29 | 40 | 43.5 | 39 | 13 | 20 | 23.0-19.0 | 0.151 |
| 1 | 2-2 | PG 21 | 35 | 38.5 | 34 | 12 | 18 | 20.0-17.0 | 0.132 |
| 1 | 1-9 | PG 21 | 30 | 33.5 | 32 | 12 | 13 | 16.5-14.0 | 0.132 |
| 1 | 1-8 | PG 21 | 30 | 35.5 | 32 | 12 | 10.5 | 14.0-10.0 | 0.132 |
| 1 | 1-6 | PG 16 | 30 | 33.5 | 32 | 11 | 13 | 16.5-14.0 | 0.096 |
| 1 | 1-4 | PG 16 | 30 | 33.5 | 32 | 11 | 8 | 11.5-10.0 | 0.095 |
| 1 | 1-1 | PG 16 | 30 | 33.5 | 32 | 11 | 7 | 10.5-8.0 | 0.095 |
| 1 | 0-7 | PG 13.5 | 24 | 26.7 | 31 | 10 | 3.3 | 6.5-4.0 | 0.081 |
| 1 | 0-6 | PG 11 | 24 | 26.7 | 31 | 10 | 7 | 11.0-8.0 | 0.072 |
| 1 | 0-4 | PG 11 | 24 | 26.7 | 31 | 10 | 6 | 6.5-4.0 | 0.073 |
| PART NO. | "A" | "B" | "C" | "D" | "E" | "F" | "RANGE" | WEIGHT [kg] | |

| | | | |
|---|---|--|---|
| <small>THIS DRAWING IS A CONTROLLED DOCUMENT FOR TYCO ELECTRONICS CORPORATION IT IS SUBJECT TO CHANGE AND THE CONTROLLING ENGINEERING ORGANIZATION SHOULD BE CONTACTED FOR THE LATEST REVISION.</small> | | DWN H.J.BAUM 21JUL2009 CHK T.SCHNURPFIL 21JUL2009 APVD - PRODUCT SPEC - APPLICATION SPEC - WEIGHT - | tyco Electronics AMP GmbH 53757 Sankt Augustin (Germany) |
| DIMENSIONS: mm | TOLERANCES UNLESS OTHERWISE SPECIFIED: 0 PLC ±- 1 PLC ±- 2 PLC ±- 3 PLC ±- 4 PLC ±- ANGLES ±1° MATERIAL - FINISH - | NAME: CABLE GLAND ASS'Y SERIES EMV-DICHT, PG SIZE: A3 CAGE CODE: 00779 DRAWING NO: C-1106007 RESTRICTED TO: - CUSTOMER DRAWING SCALE: 1:1 SHEET 1 OF 1 REV: A1 | |