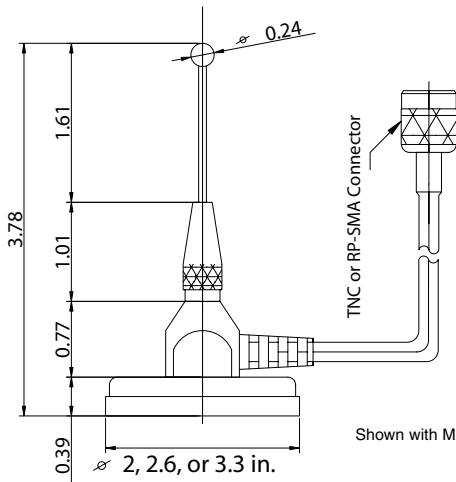




# ANT-ELE-S01-010

## Short Whip-Element for Mag. 1 Bases



Shown with MAG-1 Series Base (Not Included)

### ELECTRICAL SPECIFICATIONS

SPECIFICATION	
Frequency Range	860-960MHz
Gain	0dBi or Unity
V.S.W.R.	<1.5
Impedance	50Ω

*Other cable terminations available for volume orders.*