



10 BASE-T LOW PASS FILTER TRANSMITTER

P/N:FB2028D DATA SHEET

Feature



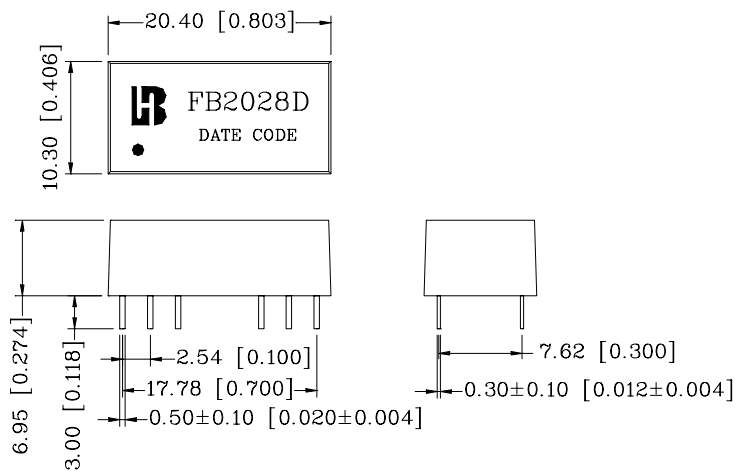
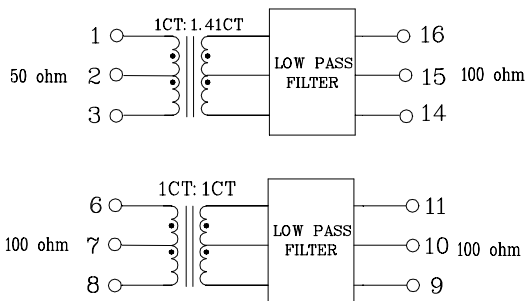
- IEEE 802.3 and IEEE 802.5 compatible.
- Operating temperature range: 0°C to +70°C.
- Storage temperature range: -25°C to +125°C.

Electrical Specifications @ 25°C				
Part Number	Turns Ratio (±5%)		CUT-OFF Frequency (MHz TYP)	HI-POT (Vrms)
	TX	RX		
FB2028D	1CT:1.41CT	1CT:1CT	17	2000

Continue					
Part Number	Insertion Loss (dB Max)TX/RX	Attenuation (dB Min)TX/RX		Return Loss (dB Min)	Cross talk Attenuation (dB Min)
		30MHz			
	5-10MHz	Transmit	Receive	5-10MHz	1-10MHz
FB2028D	-1.0	-27	-18	-20	-30

Schematic

Mechanical



Units: mm [Inches] Tolerances: xx.x0±0.25 [0.010]
 0.xx±0.05 [0.002]