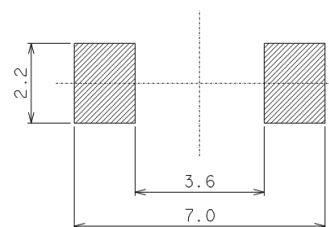
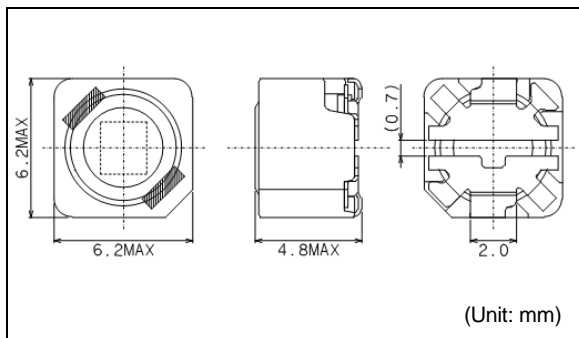


MBH6045C

Inductance Range: 1.0~470μH


Recommended patterns
 推奨パターン図


(Unit: mm)

FEATURES 特長

- AEC-Q200 Compliant.
- 6.2× 6.2mm Max. square, 4.8mm Max. height.
- Magnetically shielded.
- AEC-Q200準拠
- 6.2 × 6.2mm角Max. 高さ4.8mm Max.
- 閉磁路構造

STANDARD PART NUMBERS 標準品一覧
TYPE MBH6045C High current type (Quantity/reel; 1000 PCS)

品番	インダクタンス ⁽¹⁾	許容差	直流抵抗 ⁽²⁾	直流重畳許容電流 ⁽³⁾	温度上昇許容電流 ⁽³⁾
Part Number	Inductance ⁽¹⁾ (μH)	Tolerance (%)	DC Resistance ⁽²⁾ (mΩ) Tolerance ±20% or ±30%	Inductance Decrease Current ⁽³⁾ (A) Max.(Typ.) ΔL/L=10%	Temperature Rise Current ⁽³⁾ ΔT=40°C (A) Max. (Typ.)
MBH6045C-1R5NA=P3	1.5	±30	17 ±30	6.3 (8.4)	4.3 (5.4)
MBH6045C-3R3NA=P3	3.3	±30	24 ±30	4.1 (5.4)	3.4 (4.3)
MBH6045C-4R7NA=P3	4.7	±30	29 ±30	3.3 (4.4)	2.8 (3.6)
* MBH6045C-6R8NA=P3	6.8	±30	51 ±30	2.7 (3.6)	2.1 (2.7)
MBH6045C-100MA=P3	10	±20	63 ±20	2.3 (3.0)	2.0 (2.4)
* MBH6045C-150MA=P3	15	±20	99 ±20	1.8 (2.4)	1.5 (1.8)
MBH6045C-220MA=P3	22	±20	139 ±20	1.5 (2.0)	1.2 (1.5)
* MBH6045C-330MA=P3	33	±20	178 ±20	1.2 (1.6)	1.1 (1.4)
* MBH6045C-470MA=P3	47	±20	256 ±20	1.1 (1.4)	1.0 (1.2)
* MBH6045C-680MA=P3	68	±20	347 ±20	0.90 (1.2)	0.84 (0.99)
* MBH6045C-101MA=P3	100	±20	487 ±20	0.71 (0.95)	0.70 (0.82)
* MBH6045C-151MA=P3	150	±20	772 ±20	0.58 (0.77)	0.51 (0.60)
* MBH6045C-221MA=P3	220	±20	1080 ±20	0.47 (0.63)	0.48 (0.56)

* Under Development

- (1) Inductance is measured with a LCR meter 4284A(Agilent Technologies) or equivalent. Test frequency at 100kHz
- (2) DC resistance is measured with 34420A (Agilent Technologies) or 3541(HIOKI). (Reference ambient temperature 25°C)
- (3) Maximum allowable DC current is that which causes a 10% inductance reduction from the initial value, coil temperature to rise by 40°C, whichever is smaller.
(Reference ambient temperature 25°C)

- (1) インダクタンスはLCRメータ4284A(Agilent Technologies)または同等品により測定する。測定周波数は100kHz。
- (2) 直流抵抗は測定器34420A (Agilent Technologies) または3541 (HIOKI) と同等品により測定する。(周囲温度25°C)
- (3) 最大許容電流は、直流重畳電流を流した時インダクタンスの値が初期値より10%減少する直流電流値、または直流電流により、コイルの温度が40°C上昇の何れか小さい値。
(周囲温度25°C)

Continued on next page 次頁へ続く

continued from previous page 前頁より続く

STANDARD PART NUMBERS 標準品一覧
TYPE MBH6045C Low DC resistance type (Quantity/reel; 1000 PCS)

品番	インダクタンス ⁽¹⁾	許容差	直流抵抗 ⁽²⁾	直流重畳許容電流 ⁽³⁾	温度上昇許容電流 ⁽³⁾
Part Number	Inductance ⁽¹⁾ (μH)	Tolerance (%)	DC Resistance ⁽²⁾ (mΩ) Tolerance ±20% or ±30%	Inductance Decrease Current ⁽³⁾ (A) Max.(Typ.) ΔL/L=10%	Temperature Rise Current ⁽³⁾ ΔT=40°C (A) Max. (Typ.)
MBH6045C-1R0ND=P3	1.0	±30	14 ±30	4.4 (5.8)	4.4 (5.5)
MBH6045C-1R5NB=P3	1.5	±30	15 ±30	3.5 (4.7)	4.4 (5.5)
MBH6045C-3R3NB=P3	3.3	±30	19 ±30	2.3 (3.1)	3.5 (4.4)
MBH6045C-4R7NB=P3	4.7	±30	23 ±30	2.0 (2.6)	3.2 (4.1)
MBH6045C-6R8NB=P3	6.8	±30	27 ±30	1.6 (2.1)	2.6 (3.3)
MBH6045C-100MB=P3	10	±20	38 ±20	1.2 (1.7)	2.5 (3.0)
* MBH6045C-150MB=P3	15	±20	55 ±20	0.90 (1.2)	2.1 (2.5)
MBH6045C-220MB=P3	22	±20	78 ±20	0.90 (1.2)	1.7 (2.0)
MBH6045C-330MB=P3	33	±20	103 ±20	0.70 (0.93)	1.5 (1.7)
MBH6045C-470MB=P3	47	±20	130 ±20	0.56 (0.74)	1.1 (1.4)
MBH6045C-680MB=P3	68	±20	215 ±20	0.48 (0.64)	0.94 (1.1)
MBH6045C-101MB=P3	100	±20	340 ±20	0.40 (0.53)	0.83 (0.98)
* MBH6045C-151MB=p3	150	±20	480 ±20	0.32 (0.43)	0.71 (0.83)
* MBH6045C-221MB=P3	220	±20	780 ±20	0.26 (0.35)	0.56 (0.66)
* MBH6045C-331MB=P3	330	±20	970 ±20	0.23 (0.30)	0.48 (0.56)
MBH6045C-471MB=P3	470	±20	1420 ±20	0.18 (0.24)	0.41 (0.48)

* Under Development

- 1) Inductance is measured with a LCR meter 4284A(Agilent Technologies) or equivalent. Test frequency at 100kHz
- 2) DC resistance is measured with 34420A (Agilent Technologies) or 3541(HIOKI). (Reference ambient temperature 25°C)
- 3) Maximum allowable DC current is that which causes a 10% inductance reduction from the initial value, coil temperature to rise by 40°C, whichever is smaller. (Reference ambient temperature 25°C)

- (1) インダクタンスはLCRメータ4284A(Agilent Technologies)または同等品により測定する。測定周波数は100kHz。
- (2) 直流抵抗は測定器34420A (Agilent Technologies) または3541 (HIOKI) と同等品により測定する。(周囲温度25°C)
- (3) 最大許容電流は、直流重畳電流を流した時インダクタンスの値が初期値より10%減少する直流電流値、または直流電流により、コイルの温度が40°C上昇の何れか小さい値。(周囲温度25°C)