

PLEASE CHECK WWW.MOLEX.COM FOR LATEST PART INFORMATION

Part Number: [0780350202](#)
Status: **Active**
Overview: [MiniDIMM Sockets](#)
Description: 0.60mm Pitch miniDIMM DDR Socket, Surface Mount, 22.5° Reverse Angle, 0.76µm Gold (Au) Plating, Off-White Latches, with Pick-and-Place Cap, 200 Circuits, 2.5V Voltage Key, Lead-Free

Documents:

[3D Model](#) [Application Specification AS-87782-001 \(PDF\)](#)
[Drawing \(PDF\)](#) [RoHS Certificate of Compliance \(PDF\)](#)
[Product Specification PS-78035-001 \(PDF\)](#)

Agency Certification

CSA LR19980
 UL E29179

General

Product Family Memory Module Sockets
 Series [78035](#)
 Application Tooling Part Link 62100-1960
 Comments Latches in Off-White Color
 Component Type Socket
 Electrical Model Yes
 JEDEC Outline MO-258
 Overview [MiniDIMM Sockets](#)
 Product Name MiniDIMM
 UPC 822350714853

Physical

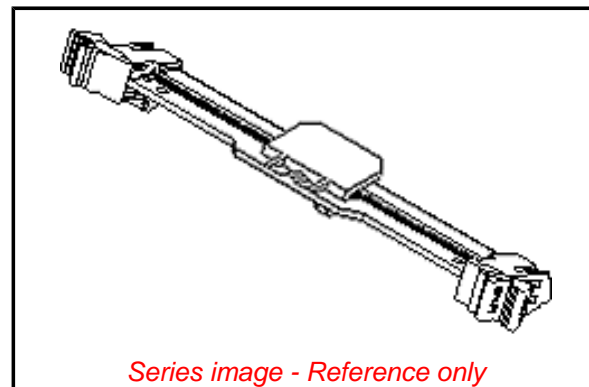
Circuits (Loaded) 200
 Color - Resin Black, Natural (White)
 Durability (mating cycles max) 25
 Entry Angle 22.5° Angle
 Flammability 94V-0
 Keying to Mating Part Yes
 Material - Metal Copper Alloy
 Material - Plating Mating Gold
 Material - Plating Termination Tin
 Material - Resin High Temperature Thermoplastic
 Net Weight 5.989/g
 PCB Locator Yes
 PCB Retention Yes
 Packaging Type Tray
 Pitch - Mating Interface 0.60mm
 Plating min - Mating 0.762µm
 Plating min - Termination 2.540µm
 Temperature Range - Operating -10°C to +85°C
 Termination Interface: Style Surface Mount

Electrical

Current - Maximum per Contact 1.0A
 Voltage - Maximum 30V
 Voltage Key 2.5V

Solder Process Data

Duration at Max. Process Temperature (seconds) 005
 Lead-free Process Capability REFLOW
 Max. Cycles at Max. Process Temperature 001



Series image - Reference only

EU ELV

Not Relevant

EU RoHS

Compliant

REACH SVHC

Contains SVHC(2015 June 15): No

Halogen-Free

Status

Not Low-Halogen

Need more information on product environmental compliance?

Email productcompliance@molex.com
 Please visit the [Contact Us](#) section for any non-product compliance questions.

China ROHS

ELV

Green Image

Not Relevant

Search Parts in this Series

[78035 Series](#)

Mates With

JEDEC MO-258 Modules

Application Tooling | FAQ

Tooling specifications and manuals are found by selecting the products below. Crimp Height Specifications are then contained in the Application Tooling Specification document.

Global

Description	Product #
MiniDIMM Memory Card Insertion Tool	0621001960

Process Temperature max. C 260

Material Info

Reference - Drawing Numbers

Application Specification	AS-87782-001
Electrical Model Document	EE-78035-001
Product Specification	PS-78035-001
S-Parameter Model	SP-78035-001
Sales Drawing	SD-78035-001

This document was generated on 10/30/2015

PLEASE CHECK WWW.MOLEX.COM FOR LATEST PART INFORMATION