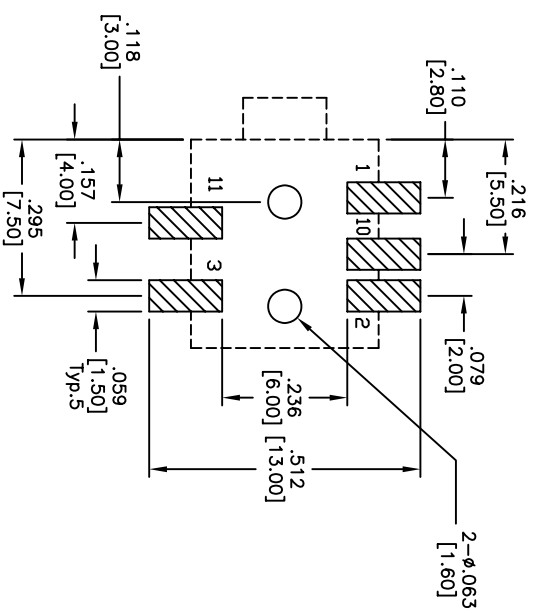
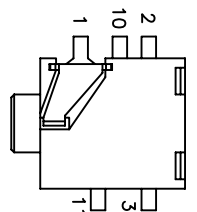
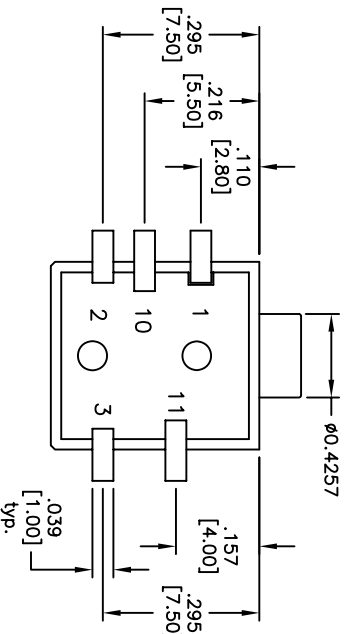
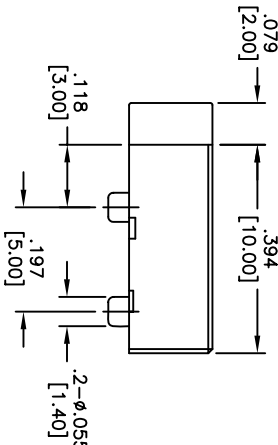
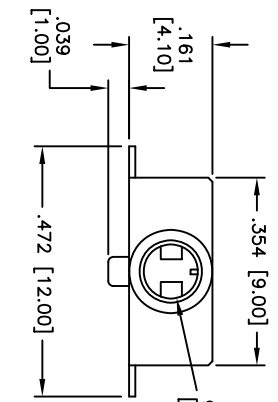


APPROVED: _____
 DATE: _____ TITLE: _____

Rev	AWO #	Description	Date	Appr
-		RELEASED	12/10/04	
A		REDRAWN	12/03/07	



RECOMMENDED
PCB LAYOUT

SPECIFICATIONS:

Material:
 Insulator: PA46, rated UL 94V-0
 Insulator color: Black
 Contacts: Copper Alloy
 Plating:
 Tin over Copper underplate

Electrical:
 Operating voltage: 30 VDC max.
 Current rating: 0.5 Amp max.
 Contact resistance: 30 mohms max. initial
 Insulation resistance: 100 Mohms min.
 Dielectric withstanding voltage: 500 VAC for 1 minute

Temperature Rating:
 Operating temperature: -65°C to +125°C

Environmental:
 Lead free, RoHS compliant.
 Recommended soldering temp: 260°C for 5 sec.

CONTACT FORM	ASJ-12-3	ASJ-12-3	ASJ-12-3A	ASJ-12-4B	ASJ-12-5
SCHEMATIC					

UNLESS OTHERWISE SPECIFIED
 ALL DIMENSIONS ARE IN INCHES [MM]
 TOLERANCES: EXCEPT AS NOTED
 INCHES ±.10 ØXX ±.015
 .XX ±.020 ØXXX ±.010
 .XXX ±.015 ØXXXX ±.010

ADAM TECH
 909 Rahway Avenue, Union, NJ 07083
 Phone: 908-687-5000 Fax: 908-687-5710

OPERATING TEMPERATURE: -65°C to +125°C



DRAWN	SS	DATE	10/4/04
CHECKED			
APPROVED			

SIZE	PART NO.	REV.
X	ASJ-12-XX	A
REF:	SCALE: NTS	SHEET 1 OF 1