

Pushbutton Switches



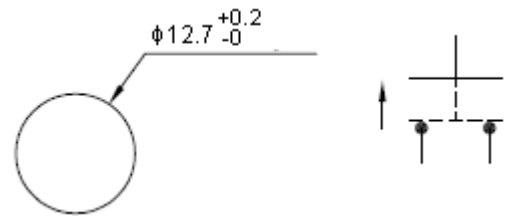
Features:

- Button : Red.
- Housing : Black.

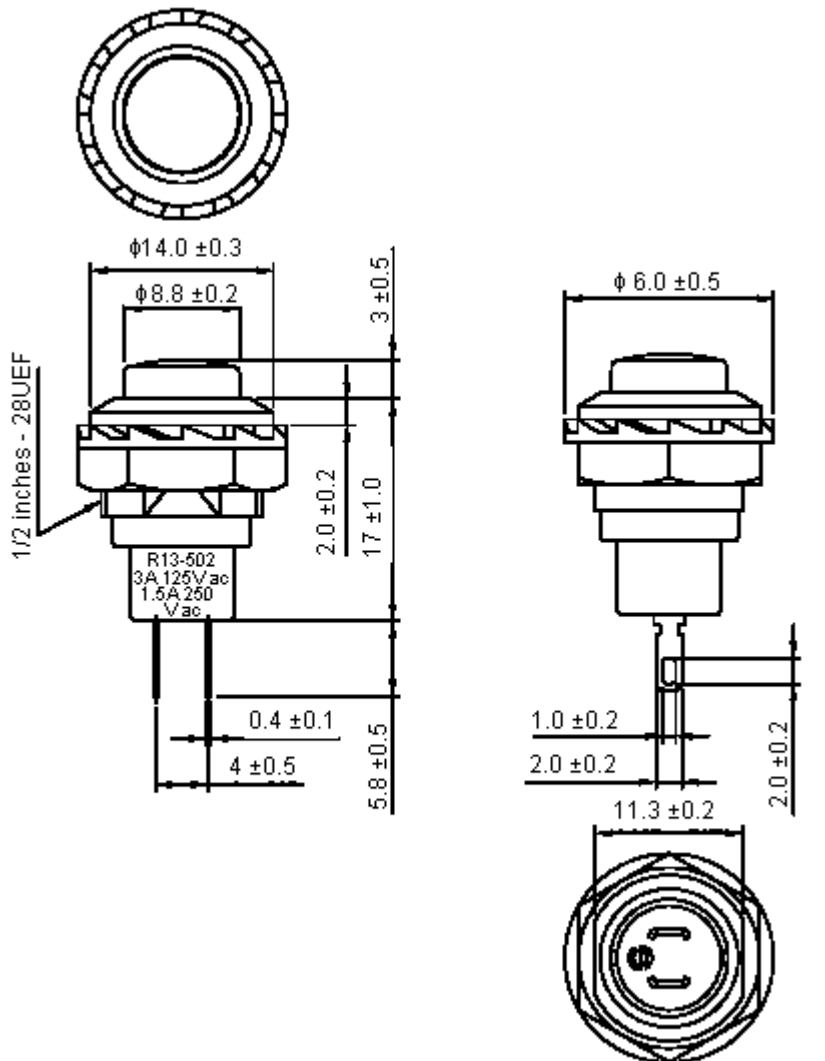
R13-502A-05-R and R13-502A-05-B

Mounting Hole

Circuit Diagram



Dimensions : Millimetres

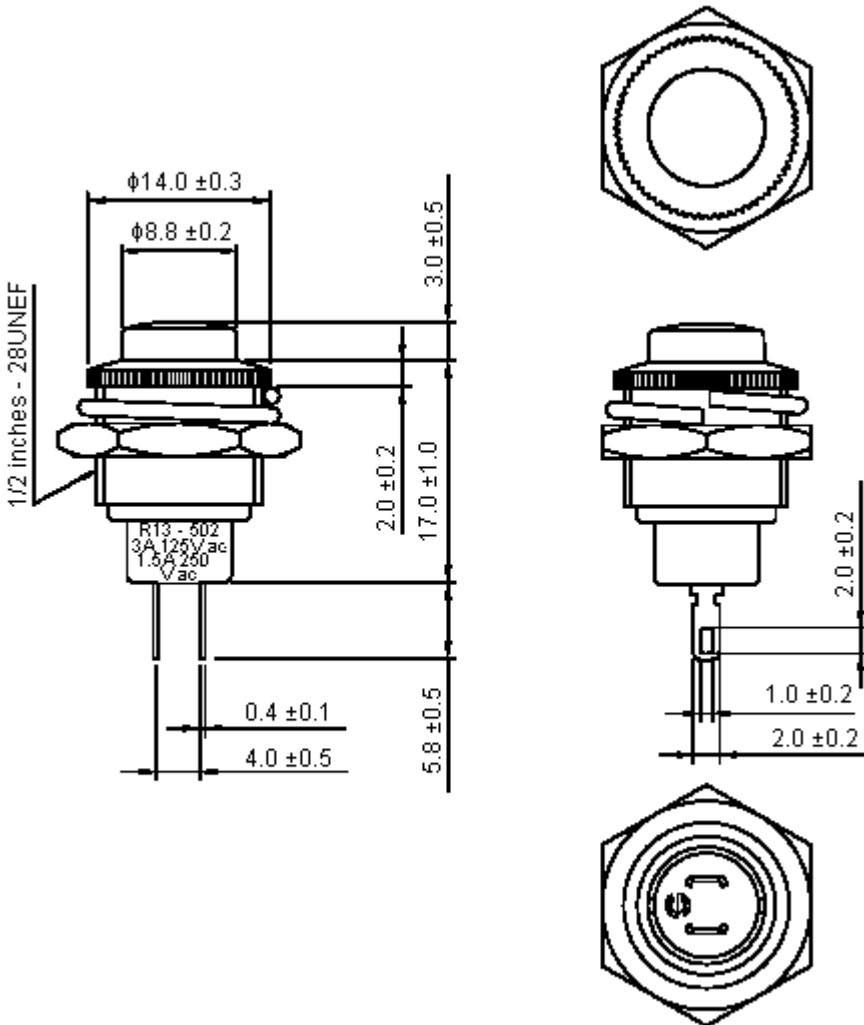


Dimensions : Millimetres

Pushbutton Switches

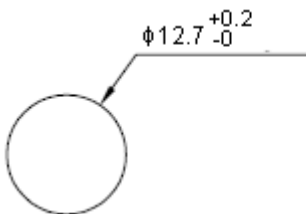


R13-502MA-05-R and R13-502MA-05-B



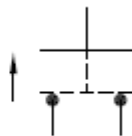
Dimensions : Millimetres

Mounting Hole



Dimensions : Millimetres

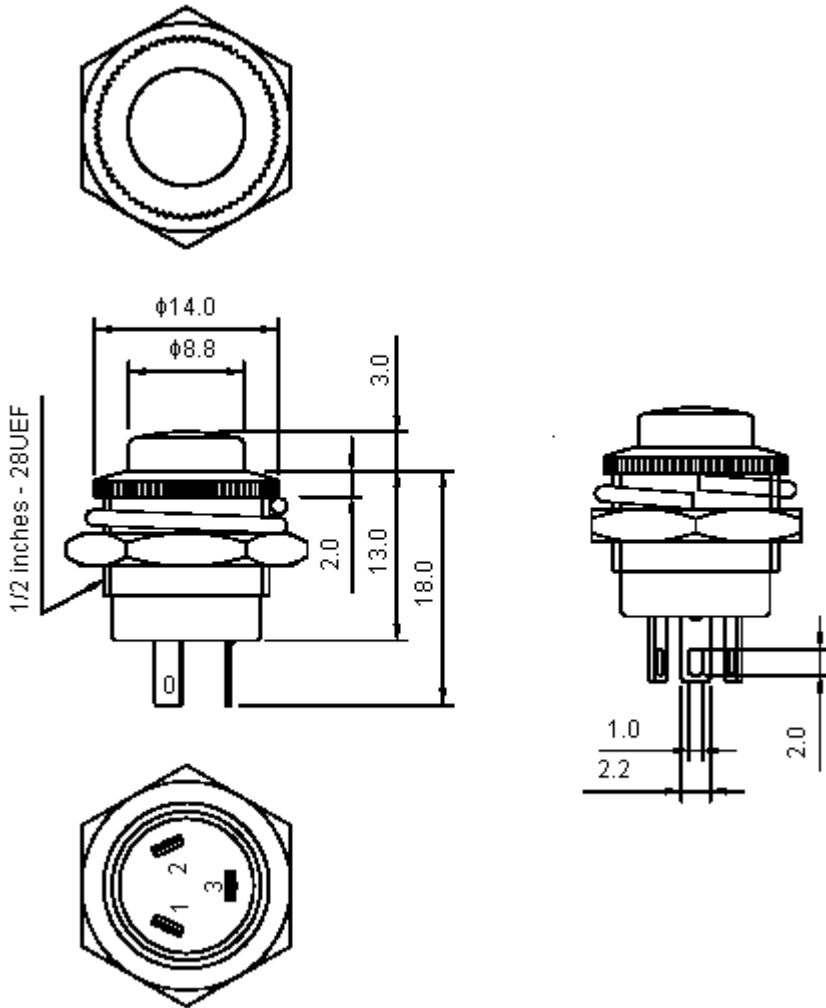
Circuit Diagram



Pushbutton Switches

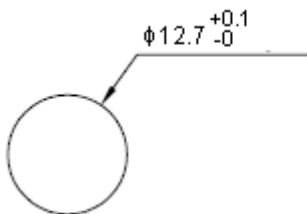


R13-502MC-05-R and R13-502MC-05-B



Dimensions : Millimetres

Mounting Hole



Dimensions : Millimetres

Circuit Diagram

