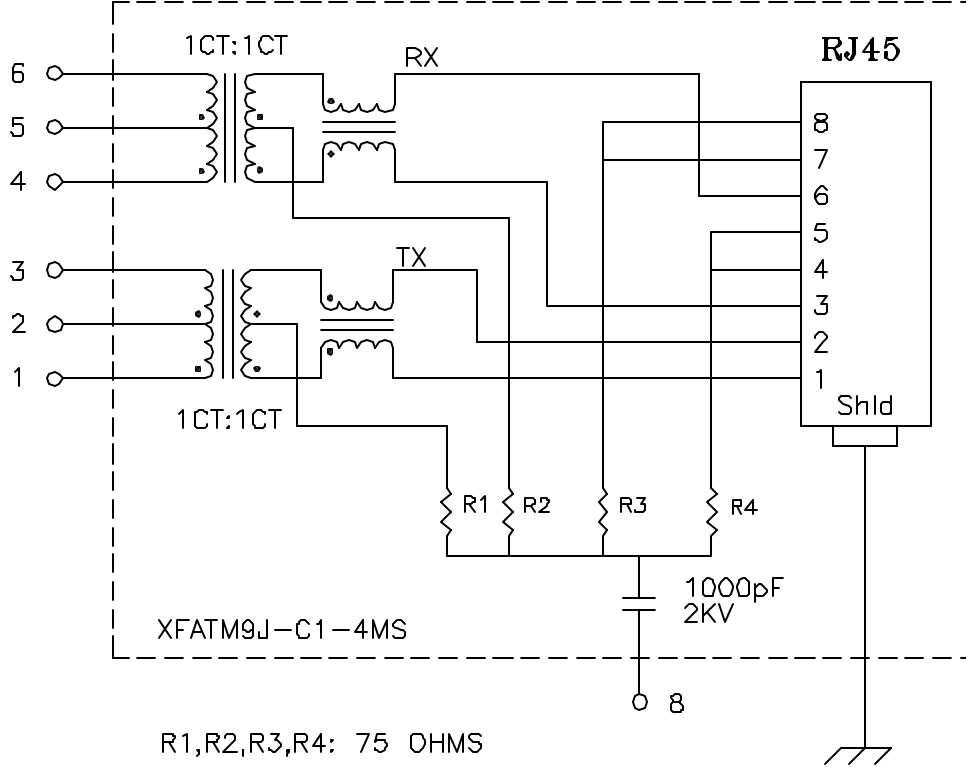


Schematic:



R1,R2,R3,R4: 75 OHMS

Electrical Specifications: @25°C

- Isolation Voltage: 1500 Vrms (Input to Output)
- Isolation Voltage: 500 Vrms (P1+2+3 to P4+5+6)
- Turns Ratio: TX 1CT:1CT ±3% RX 1CT:1CT ±3%
- CABLE SIDE OCL: 350uH Minimum @100KHz 100mV 8mADC
- Q: 16 Min @100KHz 0.1V
- Cw/w: 27pF Typical @100KHz 100mV
- Insertion Loss (300KHz-100MHz): -1.0dB Max
- Return Loss: @30MHz -18dB Minimum
- @80MHz -12dB Minimum

Notes:

1. Solderability: Leads shall meet MIL-STD-202G, Method 208H for solderability.
2. Flammability: UL94V-0
3. ASTM oxygen index: > 28%
4. Insulation System: Class F 155°C. UL file E151556
5. Operating Temperature Range: All listed parameters are to be within tolerance from 0°C to +70°C
6. Storage Temperature Range: -55°C to +125°C
7. Aqueous wash compatible
8. Electrical and mechanical specifications 100% tested
9. RoHS Compliant Component.

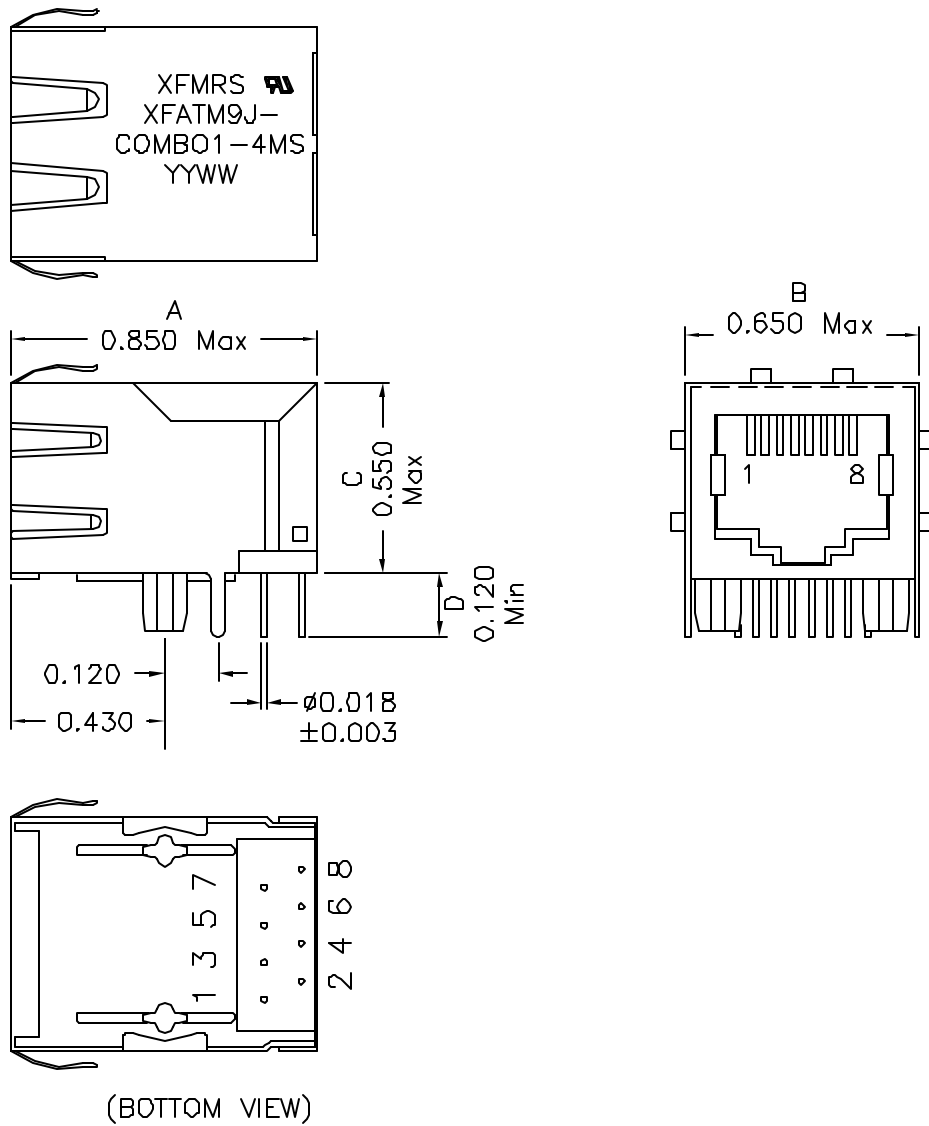
DOC. REV: A/4

XFMRs Inc. www.XFMRS.com		Title:	
		SINGLE PORT COMBO	
UNLESS OTHERWISE SPECIFIED		P/N: XFATM9J-COMBO1-4MS	REV. A
TOLERANCES:		DWN.	Mei Chen Feb-26-10
.xxx ±0.010		CHK.	YK Liao Feb-26-10
Dimensions in Inch		APP.	Joe Huff Feb-26-10
SHEET 1 OF 2			

PROPRIETARY:

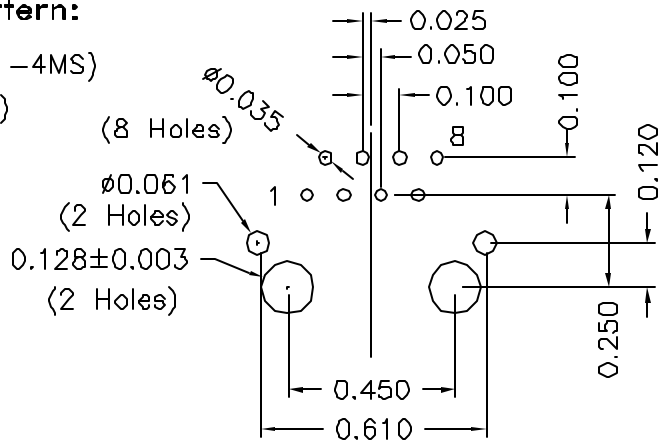
Document is the property of XFMRs Group & is not allowed to be duplicated without authorization.

Mechanical Dimensions:



Mounting Pattern:

(FOR COMBO1-4MS)
(COMP SIDE)



DOC REV: A/4

XFMRS Inc
www.XFMRs.com

Title: Mechanical Dimensions
For COMBO1-4MS Series

UNLESS OTHERWISE SPECIFIED
TOLERANCES:
.xxx ± 0.010
Dimensions in Inch

P/N: XFATM9J-COMBO1-4MS

REV. A

DWN.

Mei Chen

Feb-26-10

CHK.

YK Liao

Feb-26-10

APP.

Joe Huff

Feb-26-10

PROPRIETARY:

Document is the property of XFMRs Group & is not allowed to be duplicated without authorization.

SHEET 2 OF 2