

HD74LV540A

Octal Inverted Buffers / Drivers with 3-state Outputs

HITACHI

ADE-205-277 (Z)

1st Edition

April 1999

Description

The HD74LV540A has eight inverter drivers with three state outputs in a 20 pin package. When $\overline{OE1}$ and $\overline{OE2}$ is low level, this drivers set up output is enable. Low-voltage operation is suitable for battery-powered products (e.g., notebook computers), and the low-power consumption extends the battery life.

Features

- $V_{CC} = 2.0\text{ V}$ to 5.5 V operation
- All inputs V_{IH} (Max.) = 5.5 V (@ $V_{CC} = 0\text{ V}$ to 5.5 V)
- All outputs V_O (Max.) = 5.5 V (@ $V_{CC} = 0\text{ V}$)
- Typical V_{OL} ground bounce $< 0.8\text{ V}$ (@ $V_{CC} = 3.3\text{ V}$, $T_a = 25^\circ\text{C}$)
- Typical V_{OH} undershoot $> 2.3\text{ V}$ (@ $V_{CC} = 3.3\text{ V}$, $T_a = 25^\circ\text{C}$)
- Output current $\pm 8\text{ mA}$ (@ $V_{CC} = 3.0\text{ V}$ to 3.6 V), $\pm 16\text{ mA}$ (@ $V_{CC} = 4.5\text{ V}$ to 5.5 V)

Function Table

Inputs

| $\overline{OE1}$ | $\overline{OE2}$ | A | Output \overline{Y} |
|------------------|------------------|---|-----------------------|
| L | L | L | H |
| L | L | H | L |
| H | X | X | Z |
| X | H | X | Z |

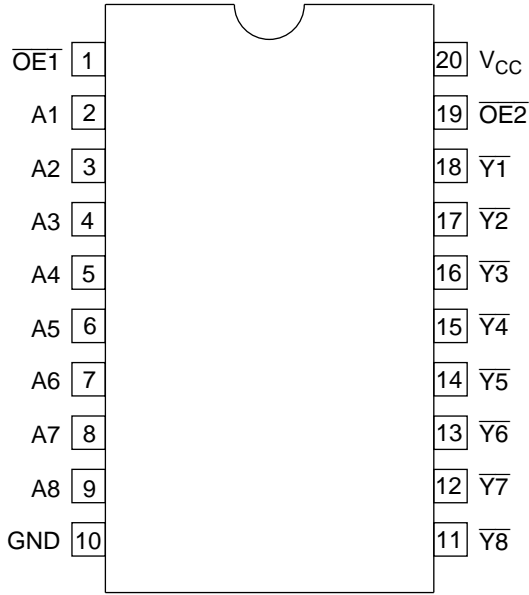
Note: H: High level

L: Low level

X: Immaterial

Z: High impedance

Pin Arrangement



(Top view)

Absolute Maximum Ratings

| Item | Symbol | Ratings | Unit | Conditions |
|--|-----------------------|---------------------------------------|------------------|---|
| Supply voltage range | V_{CC} | -0.5 to 7.0 | V | |
| Input voltage range* ¹ | V_I | -0.5 to 7.0 | V | |
| Output voltage range* ^{1,2} | V_O | -0.5 to $V_{CC} + 0.5$ -0.5 to 7.0 | V | Output: H or L V_{CC} : OFF or Output: Z |
| Input clamp current | I_{IK} | -20 | mA | $V_I < 0$ |
| Output clamp current | I_{OK} | ± 50 | mA | $V_O < 0$ or $V_O > V_{CC}$ |
| Continuous output current | I_O | ± 35 | mA | $V_O = 0$ to V_{CC} |
| Continuous current through V_{CC} or GND | I_{CC} or I_{GND} | ± 70 | mA | |
| Maximum power dissipation at $T_a = 25^\circ\text{C}$ (in still air)* ³ | P_T | 835 | mW | SOP |
| | | 757 | | TSSOP |
| Storage temperature | T_{stg} | -65 to 150 | $^\circ\text{C}$ | |

Notes: The absolute maximum ratings are values which must not individually be exceeded, and furthermore, no two of which may be realized at the same time.

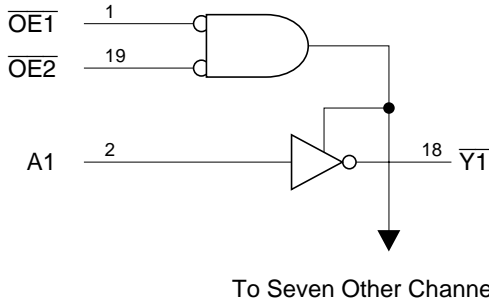
1. The input and output voltage ratings may be exceeded if the input and output clamp-current ratings are observed.
2. This value is limited to 5.5 V maximum.
3. The maximum package power dissipation was calculated using a junction temperature of 150°C .

Recommended Operating Conditions

| Item | Symbol | Min | Max | Unit | Conditions |
|------------------------------------|-----------------------|-----|----------|----------------------------------|----------------------------------|
| Supply voltage range | V_{CC} | 2.0 | 5.5 | V | |
| Input voltage range | V_I | 0 | 5.5 | V | |
| Output voltage range | V_O | 0 | V_{CC} | V | H or L |
| | | 0 | 5.5 | | High impedance state |
| Output current | I_{OH} | — | -50 | μA | $V_{CC} = 2.0 V$ |
| | | — | -2 | mA | $V_{CC} = 2.3 \text{ to } 2.7 V$ |
| | | — | -8 | | $V_{CC} = 3.0 \text{ to } 3.6 V$ |
| | | — | -16 | $V_{CC} = 4.5 \text{ to } 5.5 V$ | |
| | I_{OL} | — | 50 | μA | $V_{CC} = 2.0 V$ |
| | | — | 2 | mA | $V_{CC} = 2.3 \text{ to } 2.7 V$ |
| | | — | 8 | | $V_{CC} = 3.0 \text{ to } 3.6 V$ |
| | | — | 16 | $V_{CC} = 4.5 \text{ to } 5.5 V$ | |
| Input transition rise or fall rate | $\Delta t / \Delta v$ | 0 | 200 | ns/V | $V_{CC} = 2.3 \text{ to } 2.7 V$ |
| | | 0 | 100 | | $V_{CC} = 3.0 \text{ to } 3.6 V$ |
| | | 0 | 20 | | $V_{CC} = 4.5 \text{ to } 5.5 V$ |
| Operating free-air temperature | T_a | -40 | 85 | $^{\circ}C$ | |

Note: Unused or floating inputs must be held high or low.

Logic Diagram



DC Electrical Characteristics

- $T_a = -40$ to 85°C

| Item | Symbol | V_{CC} (V)* | Min | Typ | Max | Unit | Test Conditions |
|--------------------------|-----------|---------------|---------------------|-----|---------------------|---------------|---|
| Input voltage | V_{IH} | 2.0 | 1.5 | — | — | V | |
| | | 2.3 to 2.7 | $V_{CC} \times 0.7$ | — | — | | |
| | | 3.0 to 3.6 | $V_{CC} \times 0.7$ | — | — | | |
| | | 4.5 to 5.5 | $V_{CC} \times 0.7$ | — | — | | |
| | V_{IL} | 2.0 | — | — | 0.5 | | |
| | | 2.3 to 2.7 | — | — | $V_{CC} \times 0.3$ | | |
| | | 3.0 to 3.6 | — | — | $V_{CC} \times 0.3$ | | |
| | | 4.5 to 5.5 | — | — | $V_{CC} \times 0.3$ | | |
| Output voltage | V_{OH} | Min to Max | $V_{CC} - 0.1$ | — | — | V | $I_{OH} = -50 \mu\text{A}$ |
| | | 2.3 | 2.0 | — | — | | $I_{OH} = -2 \text{ mA}$ |
| | | 3.0 | 2.48 | — | — | | $I_{OH} = -8 \text{ mA}$ |
| | | 4.5 | 3.8 | — | — | | $I_{OH} = -16 \text{ mA}$ |
| | V_{OL} | Min to Max | — | — | 0.1 | | $I_{OL} = 50 \mu\text{A}$ |
| | | 2.3 | — | — | 0.4 | | $I_{OL} = 2 \text{ mA}$ |
| | | 3.0 | — | — | 0.44 | | $I_{OL} = 8 \text{ mA}$ |
| | | 4.5 | — | — | 0.55 | | $I_{OL} = 16 \text{ mA}$ |
| Input current | I_{IN} | 0 to 5.5 | — | — | ± 1 | μA | $V_{IN} = 5.5 \text{ V or GND}$ |
| Off-state output current | I_{OZ} | 5.5 | — | — | ± 5 | μA | $V_O = V_{CC} \text{ or GND}$ |
| Quiescent supply current | I_{CC} | 5.5 | — | — | 20 | μA | $V_{IN} = V_{CC} \text{ or GND, } I_O = 0$ |
| Output leakage current | I_{OFF} | 0 | — | — | 5 | μA | $V_I \text{ or } V_O = 0 \text{ V to } 5.5 \text{ V}$ |
| Input capacitance | C_{IN} | 3.3 | — | 3 | — | pF | $V_I = V_{CC} \text{ or GND}$ |

Note: For conditions shown as Min or Max, use the appropriate values under recommended operating conditions.

Switching Characteristics

- $V_{CC} = 2.5 \pm 0.2 \text{ V}$

| Item | Symbol | Ta = 25°C | | | Ta = -40 to 85°C | | Unit | Test Conditions | FROM (Input) | TO (Output) |
|------------------------|-----------|-----------|------|------|------------------|------|------|-----------------------|-----------------|-------------|
| | | Min | Typ | Max | Min | Max | | | | |
| Propagation delay time | t_{PLH} | — | 7.4 | 12.0 | 1.0 | 14.5 | ns | $C_L = 15 \text{ pF}$ | A | \bar{Y} |
| | t_{PHL} | — | 9.3 | 16.8 | 1.0 | 18.5 | | $C_L = 50 \text{ pF}$ | | |
| Enable time | t_{ZH} | — | 8.2 | 17.4 | 1.0 | 21.0 | ns | $C_L = 15 \text{ pF}$ | \overline{OE} | \bar{Y} |
| | t_{ZL} | — | 9.6 | 22.2 | 1.0 | 25.5 | | $C_L = 50 \text{ pF}$ | | |
| Disable time | t_{HZ} | — | 7.5 | 16.0 | 1.0 | 19.0 | ns | $C_L = 15 \text{ pF}$ | \overline{OE} | \bar{Y} |
| | t_{LZ} | — | 10.5 | 22.3 | 1.0 | 25.5 | | $C_L = 50 \text{ pF}$ | | |

- $V_{CC} = 3.3 \pm 0.3 \text{ V}$

| Item | Symbol | Ta = 25°C | | | Ta = -40 to 85°C | | Unit | Test Conditions | FROM (Input) | TO (Output) |
|------------------------|-----------|-----------|-----|------|------------------|------|------|-----------------------|-----------------|-------------|
| | | Min | Typ | Max | Min | Max | | | | |
| Propagation delay time | t_{PLH} | — | 5.3 | 7.0 | 1.0 | 8.5 | ns | $C_L = 15 \text{ pF}$ | A | \bar{Y} |
| | t_{PHL} | — | 6.8 | 10.5 | 1.0 | 12.0 | | $C_L = 50 \text{ pF}$ | | |
| Enable time | t_{ZH} | — | 6.2 | 10.5 | 1.0 | 12.5 | ns | $C_L = 15 \text{ pF}$ | \overline{OE} | \bar{Y} |
| | t_{ZL} | — | 7.6 | 14.0 | 1.0 | 16.0 | | $C_L = 50 \text{ pF}$ | | |
| Disable time | t_{HZ} | — | 5.3 | 10.5 | 1.0 | 12.5 | ns | $C_L = 15 \text{ pF}$ | \overline{OE} | \bar{Y} |
| | t_{LZ} | — | 7.0 | 15.4 | 1.0 | 17.5 | | $C_L = 50 \text{ pF}$ | | |

Switching Characteristics (cont)

- $V_{CC} = 5.0 \pm 0.5 \text{ V}$

Ta = 25°C **Ta = -40 to 85°C**

| Item | Symbol | Ta = 25°C | | | Ta = -40 to 85°C | | Unit | Test Conditions | FROM (Input) | TO (Output) |
|-----------------------------------|-----------|-----------|-----|-----|------------------|------|------|-----------------------|-----------------|----------------|
| | | Min | Typ | Max | Min | Max | | | | |
| Propa- gation delay time | t_{PLH} | — | 3.8 | 5.0 | 1.0 | 6.0 | ns | $C_L = 15 \text{ pF}$ | A | \bar{Y} |
| | t_{PHL} | — | 5.0 | 7.0 | 1.0 | 8.0 | | | | |
| Enable time | t_{ZH} | — | 4.6 | 7.2 | 1.0 | 8.5 | ns | $C_L = 15 \text{ pF}$ | \overline{OE} | \bar{Y} |
| | t_{ZL} | — | 5.8 | 9.2 | 1.0 | 10.5 | | | | |
| Disable time | t_{HZ} | — | 3.6 | 6.8 | 1.0 | 8.0 | ns | $C_L = 15 \text{ pF}$ | \overline{OE} | \bar{Y} |
| | t_{LZ} | — | 5.3 | 8.8 | 1.0 | 10.0 | | | | |

Output-skew Characteristics

| Item | Symbol | V _{CC} = (V) | Ta = 25°C | | Ta = -40 to 85°C | | Unit |
|-------------|--------------------|-----------------------|-----------|-----|------------------|-----|------|
| | | | Min | Max | Min | Max | |
| Output skew | t _{sk(O)} | 2.3 to 2.7 | — | 2.0 | — | 2.0 | ns |
| | | 3.0 to 3.6 | — | 1.5 | — | 1.5 | |
| | | 4.5 to 5.5 | — | 1.0 | — | 1.0 | |

Note: Skew between any outputs of the same package switching in the same direction. This parameter is warranted but not production tested.

Operating Characteristics

- C_L = 50 pF

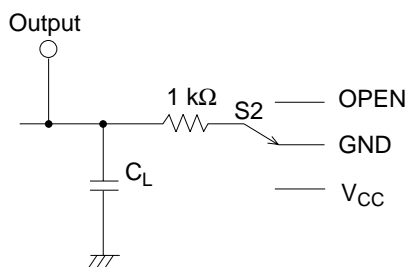
| Item | Symbol | V _{CC} = (V) | Ta = 25°C | | | Unit | Test Conditions |
|-------------------------------|-----------------|-----------------------|-----------|------|-----|------|-----------------|
| | | | Min | Typ | Max | | |
| Power dissipation capacitance | C _{PD} | 3.3 | — | 23.0 | — | pF | f = 10 MHz |
| | | 5.0 | — | 27.5 | — | | |

Noise Characteristics

- C_L = 50 pF

| Item | Symbol | V _{CC} = (V) | Ta = 25°C | | | Unit | Test Conditions |
|---|--------------------|-----------------------|-----------|------|------|------|-----------------|
| | | | Min | Typ | Max | | |
| Quiet output, maximum dynamic V _{OL} | V _{OL(P)} | 3.3 | — | 0.4 | 0.8 | V | |
| Quiet output, minimum dynamic V _{OL} | V _{OL(V)} | 3.3 | — | -0.3 | -0.8 | | |
| Quiet output, minimum dynamic V _{OH} | V _{OH(V)} | 3.3 | — | 2.9 | — | V | |
| High-level dynamic input voltage | V _{IH(D)} | 3.3 | 2.31 | — | — | | |
| Low-level dynamic input voltage | V _{IL(D)} | 3.3 | — | — | 0.99 | | |

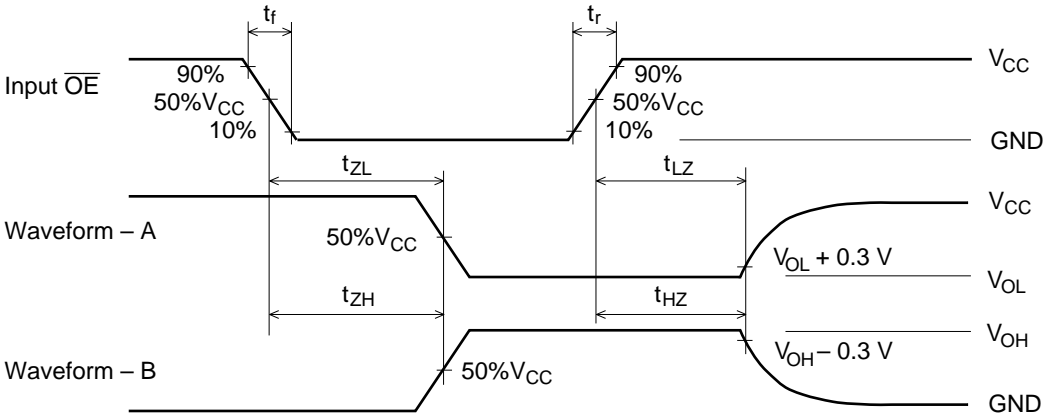
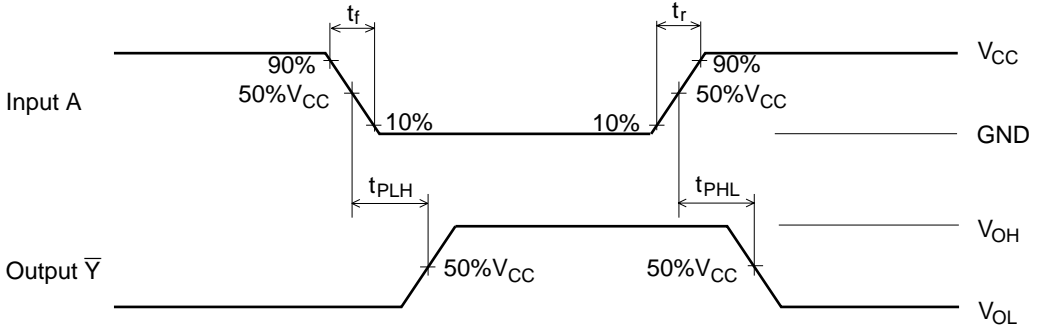
Test Circuit



| TEST | S2 |
|-------------------|-----------------|
| t_{PLH}/t_{PHL} | OPEN |
| t_{ZH}/t_{HZ} | GND |
| t_{ZL}/t_{LZ} | V _{CC} |

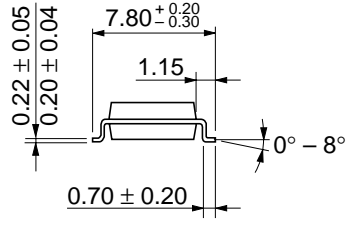
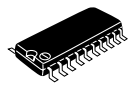
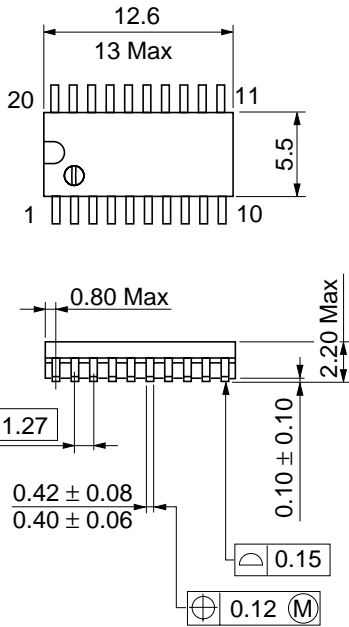
Note: C_L includes the probe and jig capacitance.

• Waveform



- Notes:
1. $t_r \leq 3 \text{ ns}$, $t_f \leq 3 \text{ ns}$
 2. Input waveform: $\text{PRR} \leq 1 \text{ MHz}$, duty cycle 50%
 3. Waveform-A is for an output with internal conditions such that the output is low except when disabled by the output control.
 4. Waveform-B is for an output with internal conditions such that the output is high except when disabled by the output control.

Package Dimensions

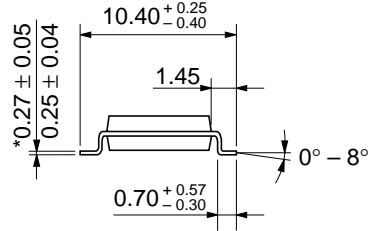
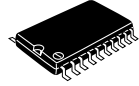
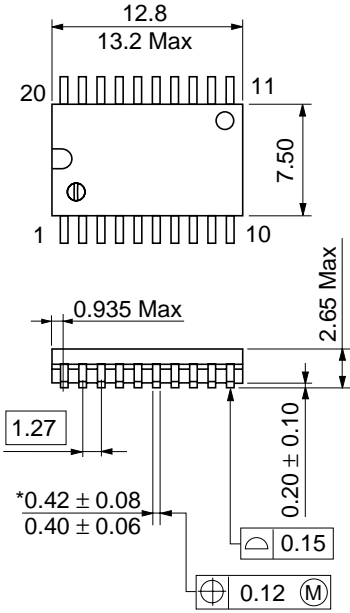


Dimension including the plating thickness
Base material dimension

| | |
|--------------------------|----------|
| Hitachi Code | FP-20DA |
| JEDEC | — |
| EIAJ | Conforms |
| Weight (reference value) | 0.31 g |

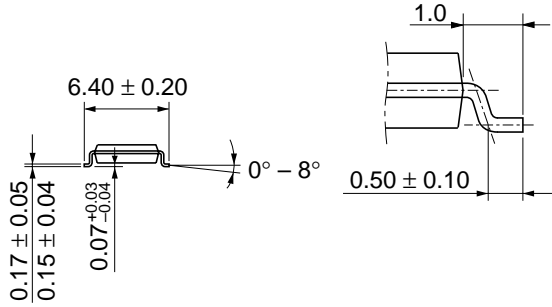
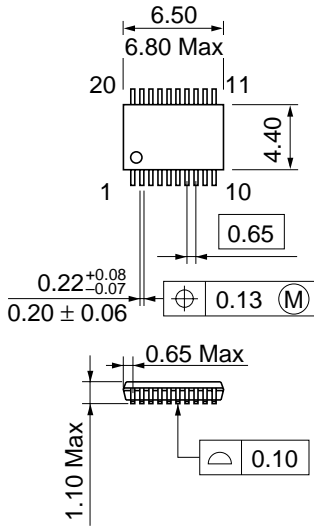
HD74LV540A

Unit: mm



*Dimension including the plating thickness
Base material dimension

| | |
|--------------------------|----------|
| Hitachi Code | FP-20DB |
| JEDEC | Conforms |
| EIAJ | — |
| Weight (reference value) | 0.52 g |



Dimension including the plating thickness
Base material dimension

| | |
|--------------------------|----------|
| Hitachi Code | TTP-20DA |
| JEDEC | — |
| EIAJ | — |
| Weight (reference value) | 0.07 g |

Cautions

1. Hitachi neither warrants nor grants licenses of any rights of Hitachi's or any third party's patent, copyright, trademark, or other intellectual property rights for information contained in this document. Hitachi bears no responsibility for problems that may arise with third party's rights, including intellectual property rights, in connection with use of the information contained in this document.
2. Products and product specifications may be subject to change without notice. Confirm that you have received the latest product standards or specifications before final design, purchase or use.
3. Hitachi makes every attempt to ensure that its products are of high quality and reliability. However, contact Hitachi's sales office before using the product in an application that demands especially high quality and reliability or where its failure or malfunction may directly threaten human life or cause risk of bodily injury, such as aerospace, aeronautics, nuclear power, combustion control, transportation, traffic, safety equipment or medical equipment for life support.
4. Design your application so that the product is used within the ranges guaranteed by Hitachi particularly for maximum rating, operating supply voltage range, heat radiation characteristics, installation conditions and other characteristics. Hitachi bears no responsibility for failure or damage when used beyond the guaranteed ranges. Even within the guaranteed ranges, consider normally foreseeable failure rates or failure modes in semiconductor devices and employ systemic measures such as fail-safes, so that the equipment incorporating Hitachi product does not cause bodily injury, fire or other consequential damage due to operation of the Hitachi product.
5. This product is not designed to be radiation resistant.
6. No one is permitted to reproduce or duplicate, in any form, the whole or part of this document without written approval from Hitachi.
7. Contact Hitachi's sales office for any questions regarding this document or Hitachi semiconductor products.

HITACHI

Hitachi, Ltd.

Semiconductor & Integrated Circuits.
Nippon Bldg., 2-6-2, Ohte-machi, Chiyoda-ku, Tokyo 100-0004, Japan
Tel: Tokyo (03) 3270-2111 Fax: (03) 3270-5109

URL North America : <http://semiconductor.hitachi.com/>
 Europe : <http://www.hitachi-eu.com/hel/ecg>
 Asia (Singapore) : <http://www.has.hitachi.com.sg/grp3/sicd/index.htm>
 Asia (Taiwan) : http://www.hitachi.com.tw/E/Product/SICD_Frame.htm
 Asia (HongKong) : <http://www.hitachi.com.hk/eng/bo/grp3/index.htm>
 Japan : <http://www.hitachi.co.jp/Sicd/indx.htm>

For further information write to:

Hitachi Semiconductor
(America) Inc.
179 East Tasman Drive,
San Jose, CA 95134
Tel: <1> (408) 433-1990
Fax: <1> (408) 433-0223

Hitachi Europe GmbH
Electronic components Group
Dornacher Straße 3
D-85622 Feldkirchen, Munich
Germany
Tel: <49> (89) 9 9180-0
Fax: <49> (89) 9 29 30 00

Hitachi Europe Ltd.
Electronic Components Group.
Whitebrook Park
Lower Cookham Road
Maidenhead
Berkshire SL6 8YA, United Kingdom
Tel: <44> (1628) 585000
Fax: <44> (1628) 778322

Hitachi Asia Pte. Ltd.
16 Collyer Quay #20-00
Hitachi Tower
Singapore 049318
Tel: 535-2100
Fax: 535-1533

Hitachi Asia Ltd.
Taipei Branch Office
3F, Hung Kuo Building, No.167,
Tun-Hwa North Road, Taipei (105)
Tel: <886> (2) 2718-3666
Fax: <886> (2) 2718-8180

Hitachi Asia (Hong Kong) Ltd.
Group III (Electronic Components)
7/F., North Tower, World Finance Centre,
Harbour City, Canton Road, Tsim Sha Tsui,
Kowloon, Hong Kong
Tel: <852> (2) 735 9218
Fax: <852> (2) 730 0281
Telex: 40815 HITEC HX

Copyright ' Hitachi, Ltd., 1999. All rights reserved. Printed in Japan.

HITACHI