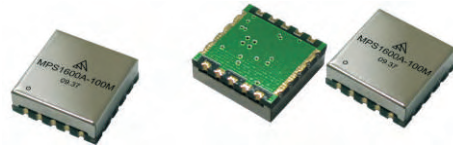


### Features

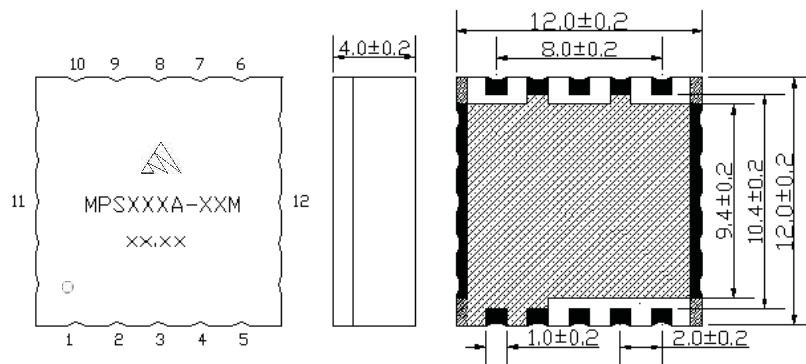
- Small size 12\*12\*4mm
- Low power supply +5V
- Frequency range 300~5000MHz
- Dual fixed frequency output available, TTL control



Part number	Frequency MHz	Power output dBm	Harmonic output 2nd dBc	Spurious output dBc	Phase noise @10kHz dBc/Hz	Vpll/lpll V/mA	Vvco/lvco V/mA
MPS330A-10M	330	2±1.5	-10	<-75	-113	+5/15	+5/20
MPS460A-12M	460	2±1.5	-10	<-75	-110	+5/15	+5/20
MPS771A-12M	771	2±1.5	-10	<-75	-110	+5/15	+5/20
MPS1000A-20M	1030	2±1.5	-10	<-75	-108	+5/15	+5/20
MPS1575.42A-10.23M	1575.42	0±1.5	-12	<-75	-103	+5/15	+5/28
MPS1600A-100M	1600	3±1.5	-12	<-75	-105	+5/15	+5/28
MPS2180A-40M	2180	0±1.5	-12	<-75	-100	+5/15	+5/28
MPS2246.508A-15M	2246.508	0±1.5	-12	<-70	-95	+5/15	+5/28
MPS2565.648A-15M	2565.648	0±1.5	-12	<-70	-95	+5/15	+5/28
MPS2810A-20M	2810	0±1.5	-15	<-75	-93	+5/20	+5/28
MPS3150A-20M	3150	0±1.5	-15	<-70	-93	+5/20	+5/28
MPS3500A-100M	3500	0±1.5	-15	<-70	-93	+5/20	+5/30
MPS4100A-100M	4100	0±1.5	-15	<-70	-90	+5/20	+5/35
MPS4800A-100M	4800	0±1.5	-15	<-70	-88	+5/20	+5/35

### Package information

- Outline Drawing



- Pin functions

Pin No.	Function	Pin No.	Function
1	REFin	8	Vvco
3	LD	10	Vpll
6	RFout	Others	GND