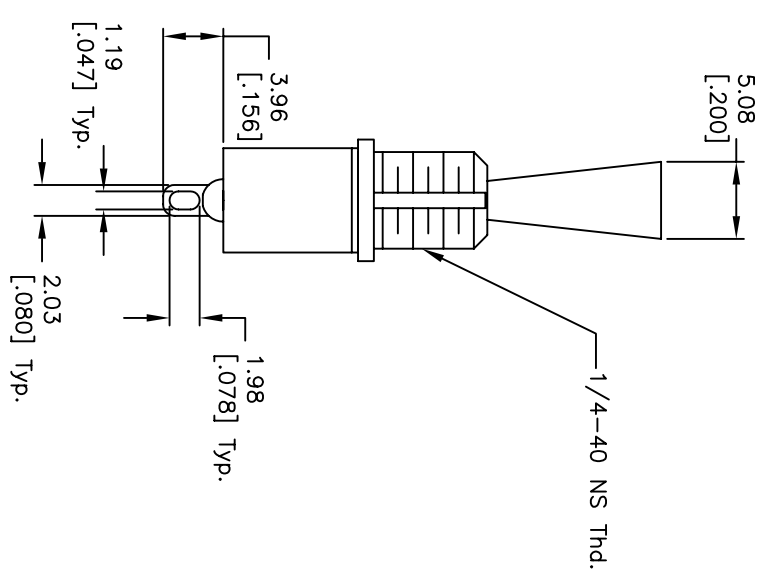
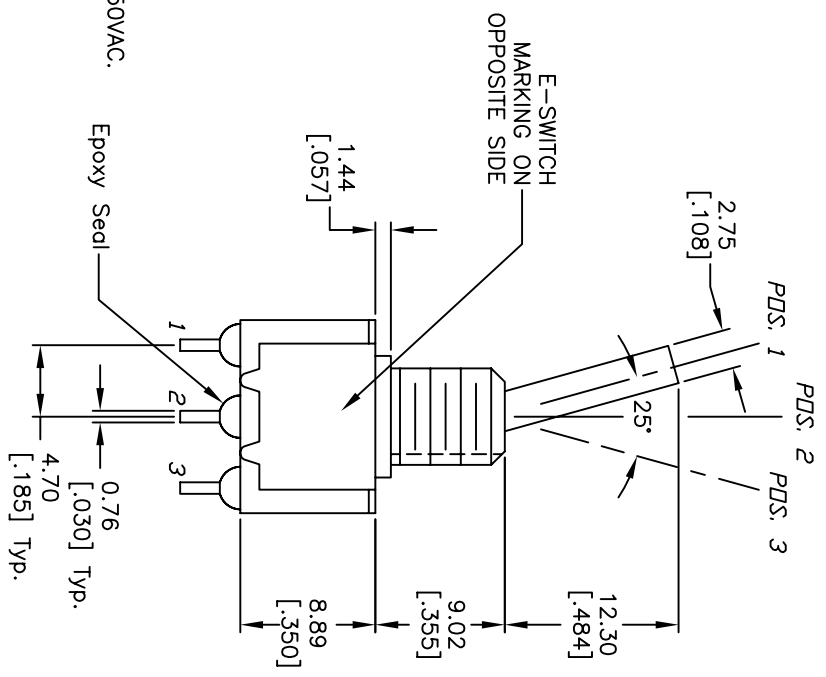


CIRCUIT: SPDT  
CONTACT CONFIGURATION

SWITCH FUNCTION		
PDS. 1	PDS. 2	PDS. 3
DN	NDNE	DN
2-3	DPEV	2-1



- NOTES:
1. ALL DIMENSIONS IN MM [INCH]
  2. GENERAL TOLERANCE: 0.0=±0.4  
0.00=±0.25
  3. TERM. NOS. FOR REF. ONLY
  4. RATING: 5A @120VAC or 28VDC; 2A @250VAC.
  5. 2002/95/EC (ROHS) COMPLIANT

REV.	ECN No.	DESCRIPTION	DATE	CHKD
E	15876	EDIT ACTUATOR HEIGHT	3/17/06	PH
D	15537	DIM FROM 1.02 TO 1.44	11/16/06	PH
C	15503	ADD ROHS NOTE	11/7/05	PH
B	10599	REVISED & REDRAWN	4/12/00	MM

TITLE		SCALE	DATE	DR	DWG	REV
100 SP-1 T6 B11 M1 Q E		2:1	7/28/94	MM	T111021	E



THE INFORMATION CONTAINED IN THIS DOCUMENT IS PROPRIETARY TO E-SWITCH AND IS NOT TO BE COPIED OR TRANSFERRED