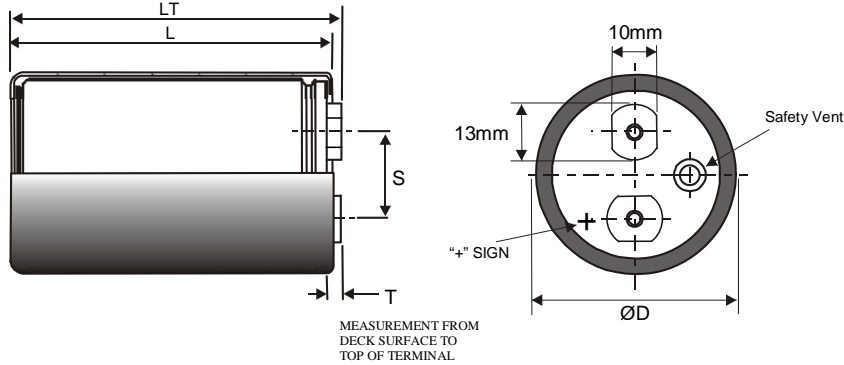


Part Number : ALS30A152KF450

Customer :

Customer p/n :



Diameter (mm)	51 +/-1
Length (L or L2) (mm)	105 +/-2
Terminals	M5
Other Dimensions	S=22.2±0.5, T=5.5±0.5, Lt=110.5±1.0

Capacitance:	1500 uF
Lower Cap Tolerance:	20 %
Upper Cap Tolerance:	20 %
Working Voltage:	450 V DC
Surge Test Voltage:	495 V DC

ESR	93	m'Ohms MAX @ 100 HZ,20°C
IMPEDANCE	65	m'Ohms MAX @ 10 KHZ,20°C

DC LEAKAGE	4.05	mA max @ Test Volts
Test Voltage	450.0V	DC

Rated ripple current	7.7	A rms at	100	Hz and	85	°C
Temperature range	-40	°C to	85	°C		

Approved _____ Date _____

Form : FM003.DES Iss : 3 Date :30/06/1