

# Accessories - Monitoring relays

## Powermodules - TR series

### Technical data

#### 1. Functions

Plug-in power modul for transforming the supply voltage at terminals A1-A2 of TELE monitoring relays series GAMMA and TREND to internal operating voltage 24V~.

#### 2. Mechanical design

Sealed self-extinguishing plastic housing. IP-rating IP40 (if mounted)

#### 3. Electrical data and types

Nominal voltage	Type	Rated consumption	Rated load	Design
12VAC	TR2 - 12VAC	2VA	0.5VA	A
	TR3 - 12VAC	4VA	1.5VA	B
24VAC	TR2 - 24VAC	2VA	0.5VA	A
	TR3 - 24VAC	4VA	1.5VA	B
42VAC	TR2 - 42VAC	2VA	0.5VA	A
	TR3 - 42VAC	4VA	1.5VA	B
48VAC	TR2 - 48VAC	2VA	0.5VA	A
	TR3 - 48VAC	4VA	1.5VA	B
110VAC	TR2 - 110VAC	2VA	0.5VA	A
	TR3 - 110VAC	4VA	1.5VA	B
127VAC	TR2 - 127VAC	2VA	0.5VA	A
	TR3 - 127VAC	4VA	1.5VA	B
230VAC	TR2 - 230VAC	2VA	0.5VA	A
	TR3 - 230VAC	4VA	1.5VA	B
400VAC	TR2 - 400VAC	2VA	0.5VA	A
	TR3 - 400VAC	4VA	1.5VA	B
415VAC	TR3 - 415VAC	4VA	1.5VA	B
440VAC	TR3 - 440VAC	4VA	1.5VA	B
500VAC*	TR3 - 500VAC	4VA	1.5VA	B

\* Only types G4PM!

#### 4. Ambient conditions

Ambient temperature: -25 to +55°C  
 Storage temperature: -25 to +70°C  
 Transport temperature: -25 to +70°C  
 Relative humidity: 15% to 85%

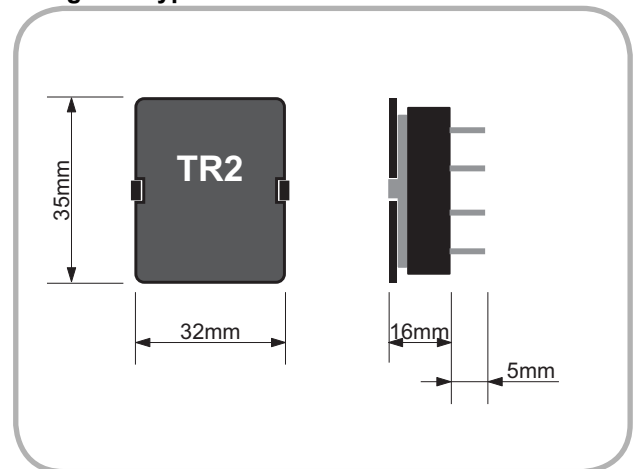
#### 5. Mounting

For mounting the module first the protective cup has to be removed. The module than can be concisely plugged into the mounting whole of the TELE monitoring relay series GAMMA or TREND.

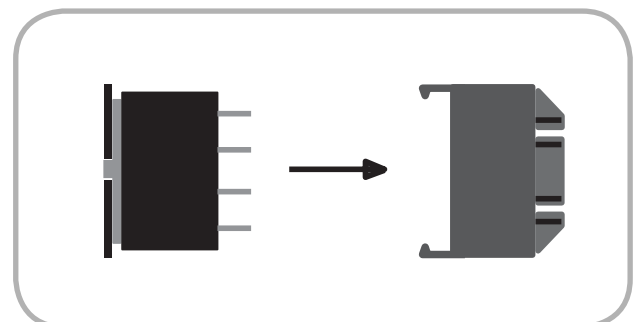
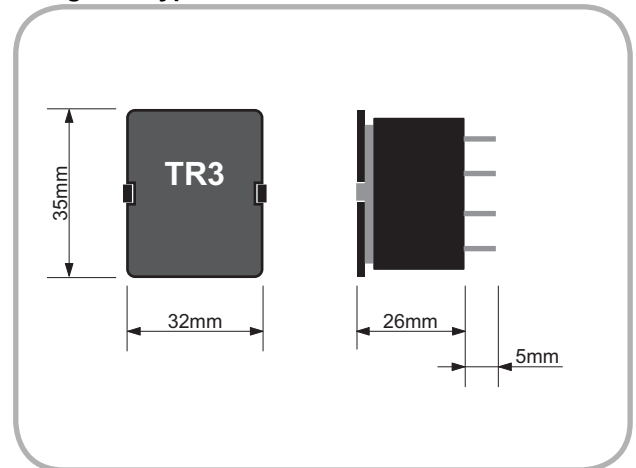


### Dimensions

Design A - Type TR2



Design B - Type TR3



Subject to alterations and errors

# Accessories - Monitoring relays

## Probes - SK series

### Technical data

#### 1. Functions

Probe for monitoring level of conductive liquids.

#### 2. Mechanical design

Stainless steel probe, PVC covered, IP rating IP44

#### 3. Electrical data

Measuring voltage: max. 24VAC

#### 4. Ambient conditions

Ambient temperature:

SK1 0 to +60°C

SK2 and SK3 0 to +90°C

Storage temperature: -25 to +90°C

Transport temperature: -25 to +90°C

Relative humidity: 15% to 85%

#### 5. Mounting

##### Type SK1:

The SK1 is designed for being duck completely under water. It is fixed at the cable end and fixed at the depending level.

##### Type SK2 and SK3:

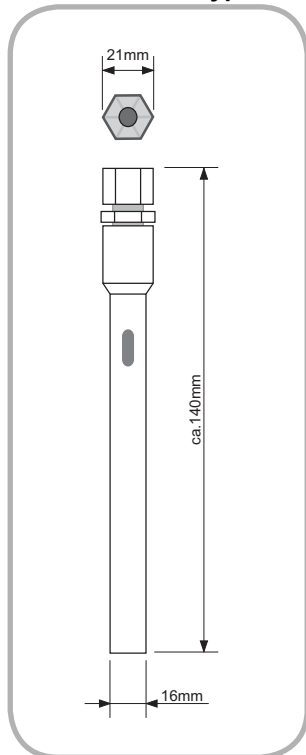
The SK2 and SK3 can be mounted on a mounting plate or directly into the top cover of the tank. The connection box has to be installed in a way that it is never covered by liquids.

#### 6. Probe types

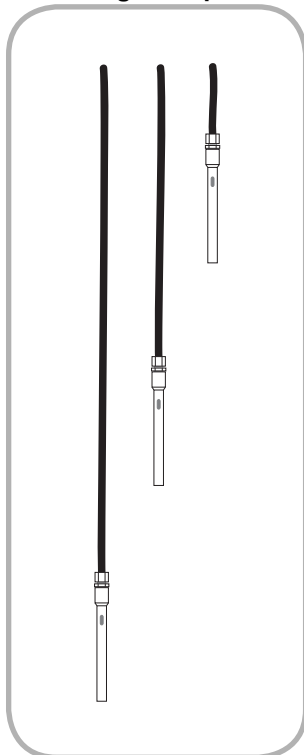
	2 probes (SK2)	3 probes (SK3)
Length 500mm	SK2 - 500	SK3 - 500
Length 1000mm	SK2 - 1000 a.A.	SK3 - 1000
Other dimensions on request		

### Dimensions

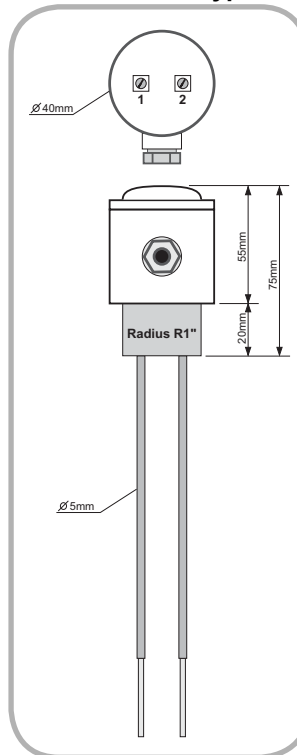
Dimension A - Typ SK1



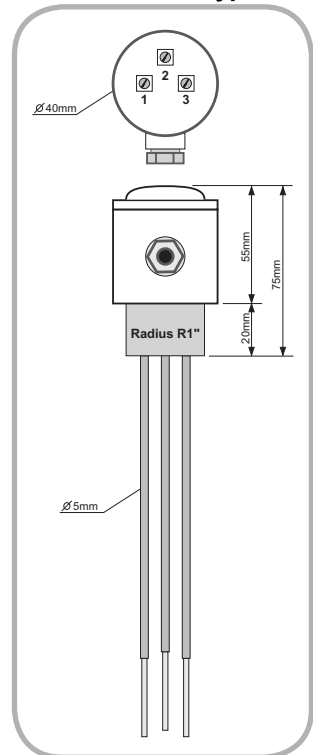
Mounting example SK1



Dimension B - Typ SK2



Dimension B - Typ SK3



## Base load component GLE

### Technical data

#### 1. Functions

Base load element for TELE mains decoupler.  
The base load element is connected in parallel to electronic loads to ensure that the mains decoupler can detect the switching on of the depending circuit. After the decoupler has reconnected the circuit to the supplying power network, the base load element warms up and changes from low-impedance to high-impedance (PTC-resistor).

#### 2. Mechanical design

Silicone covered PTC-resistor with connection wires for built-in applications.

#### 3. Elektrische Daten and Gerätetypen

PTC-resistor  
Resistance (20°C): approx. 3.7kΩ  
Resistance (nominal temperature): approx. 12kΩ  
Nominal temperature at 230VAC: approx. 70°C  
(20°C ambient temperature):

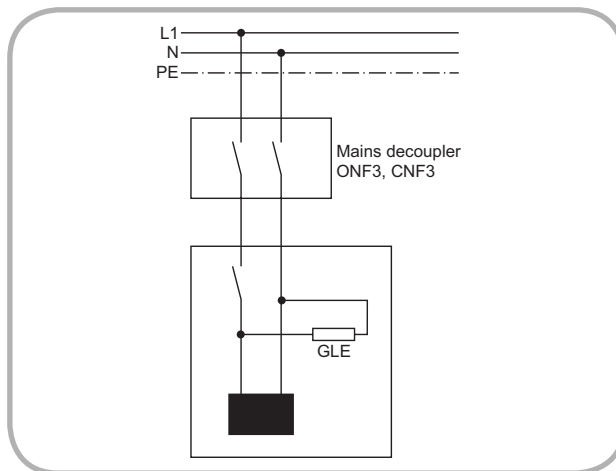
#### 4. Ambient conditions

Ambient temperature: -25 to +55°C  
Storage temperature: -25 to +70°C  
Transport temperature: -25 to +70°C  
Relative humidity: 15% to 85%

#### 5. Mounting

The base load element has to be connected in parallel to the load .

### Connections



## Mounting plate MP

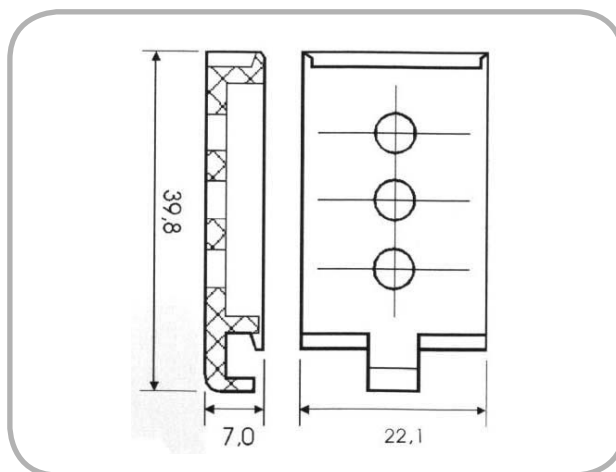
### Technical data

#### 1. Functions

Mounting plate for fixing TELE devices on a mounting plate or wall.

#### 2. Mechanical design

Self-extinguishing plastic, three drillholes diameter 4mm.



## Accessories - Monitoring relays

### Front cover for GAMMA series

#### ► Technical data

##### ► 1. Functions

Sealable front cover for GAMMA monitoring relays

##### ► 2. Mechanical design

Plastic cover

