

**PLEASE CHECK WWW.MOLEX.COM FOR LATEST PART INFORMATION**

**Part Number:** [0760119635](#)  
**Status:** **Active**  
**Overview:** GbX I-Trac™ Backplane Connector System  
**Description:** GbX I-Trac™ Right Angle Header Module, 1.85mm by 3.70mm Pitch, Right Guided Inverted, Left Wall , 7 Rows, 6 Columns, 84 Circuits, Staggered Mating Pin Length 4.70mm & 5.70mm, Lead-Free

**Documents:**

[3D Model](#) [Packaging Specification PK-70873-588 \(PDF\)](#)  
[Drawing \(PDF\)](#) [RoHS Certificate of Compliance \(PDF\)](#)  
[Product Specification PS-75710-999 \(PDF\)](#)

**Agency Certification**

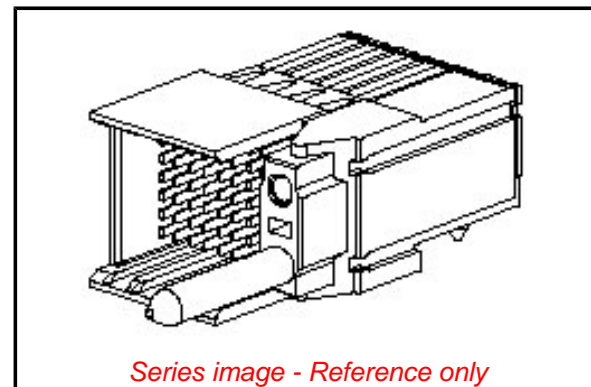
UL E29179

**General**

Product Family Backplane Connectors  
 Series [76011](#)  
 Application Coplanar, Daughtercard  
 Component Type Right Angle Male  
 Overview [GbX I-Trac™ Backplane Connector System](#)  
 Product Name GbX I-Trac™  
 UPC 883906129187

**Physical**

Circuits (Loaded) 84  
 Circuits (maximum) 84  
 Color - Resin Black  
 Durability (mating cycles max) 200  
 First Mate / Last Break Yes  
 Flammability 94V-0  
 Guide to Mating Part Yes  
 Keying to Mating Part None  
 Material - Metal High Performance Alloy (HPA)  
 Material - Plating Mating Gold  
 Material - Plating Termination Tin  
 Material - Resin High Temperature Thermoplastic  
 Net Weight 23.533/g  
 Number of Columns 6  
 Number of Pairs 4, Open Pin Field  
 Number of Rows 7  
 Orientation Right Angle  
 PC Tail Length 2.00mm  
 PCB Locator Yes  
 PCB Retention None  
 PCB Thickness - Recommended 1.60mm  
 Packaging Type Tray  
 Pitch - Mating Interface 3.70mm  
 Pitch - Termination Interface 1.20mm, 2.50mm  
 Plating min - Mating 0.762µm  
 Plating min - Termination 0.762µm  
 Polarized to PCB Yes  
 Stackable No  
 Surface Mount Compatible (SMC) Yes  
 Temperature Range - Operating 85°C  
 Termination Interface: Style Through Hole - Compliant Pin



**EU ELV**

**Not Relevant**

**EU RoHS**

**Compliant**

**REACH SVHC**

Not Contained Per  
 -ED/79/2015 (17  
 December 2015)

**Halogen-Free**

**Status**

**Low-Halogen**

**Need more information on product environmental compliance?**

Email [productcompliance@molex.com](mailto:productcompliance@molex.com)  
 Please visit the [Contact Us](#) section for any non-product compliance questions.

China ROHS

ELV

**China RoHS**

Green Image

Not Relevant

**Search Parts in this Series**

[76011 Series](#)

**Mates With**

[76020 GbX I-Trac™ Right Angle Receptacle Module](#)

**Use With**

[78230 GbX I-Trac™ Right Angle Power Receptacle](#)

**Application Tooling | FAQ**

*Tooling specifications and manuals are found by selecting the products below. Crimp Height Specifications are then contained in the Application Tooling Specification document.*

**Global**

**Description**

**Product #**

**Electrical**

Current - Maximum per Contact	1.0A
Data Rate	12.0 Gbps
Shielded	No
Voltage - Maximum	120V AC (RMS)/DC

**Solder Process Data**

Lead-free Process Capability	N/A
------------------------------	-----

**Material Info****Reference - Drawing Numbers**

Packaging Specification	PK-70873-588
Product Specification	PS-75710-999
Sales Drawing	SD-76011-003

Right Angle Male (RAM) Module Removal Tool	<u>0622023080</u>
Press-In Tool for Right Angle Receptacle and Header 7-Row, 6- Column	<u>0622018611</u>

This document was generated on 06/10/2016

**PLEASE CHECK [WWW.MOLEX.COM](http://WWW.MOLEX.COM) FOR LATEST PART INFORMATION**