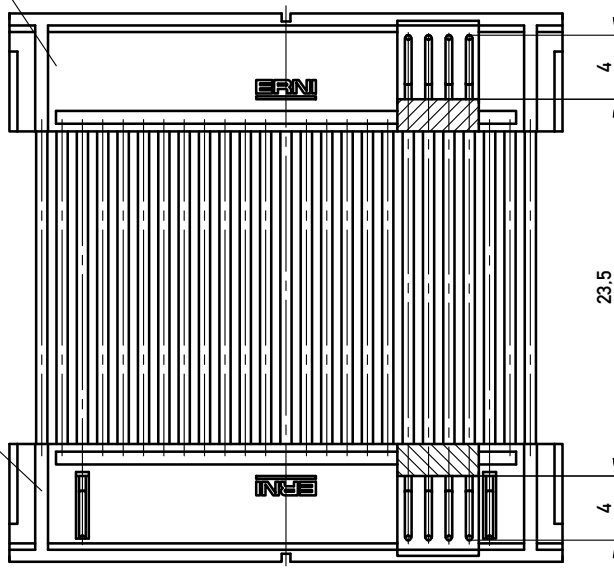
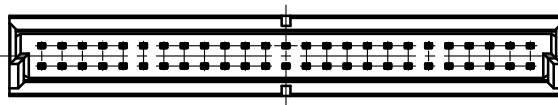
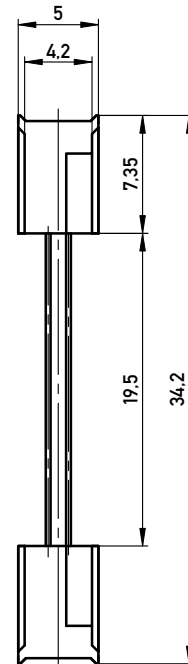


ohne Verriegelung
without interlocking

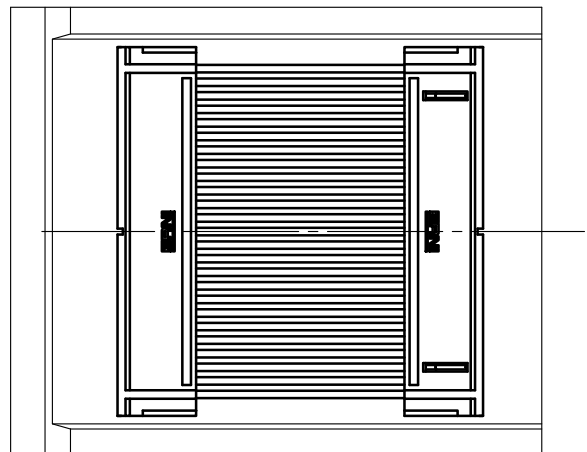
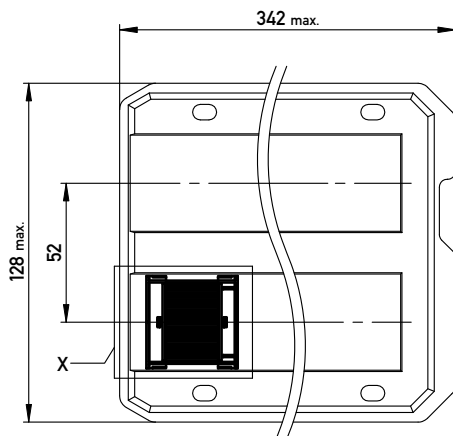


mit Verriegelung
with interlocking



Verpackt in Tray -tray packaging
Verpackungseinheit 18 Stück -packaging unit 18

Einzelheit X (M 2:1)
detail X



Adapterstück für board-to-board Abstand von 36mm (beidseitig verbaut mit Federleiste: 154807, Low Profile)
Adapter for board-to-board height 36mm (in combination with two female connectors: 154807, low profile)

Information:	Tolerances	All Dimensions in mm	Scale	3:1
	All rights reserved. Only for Information. To ensure that this is the latest version of this drawing, please contact one of the ERNI companies before using.		Designation	
Subject to modification without prior notice. Drawing will not be updated.		www.ERNI.com		1,27 DRC Adapterstück BTB 36mm 50-polig
E01	18.06.2008	354315		I
Index	Date	Class		A3
		DRCBTB		

Copyright by ERNI GmbH
Proprietary notice pursuant to ISO 16016 to be observed.