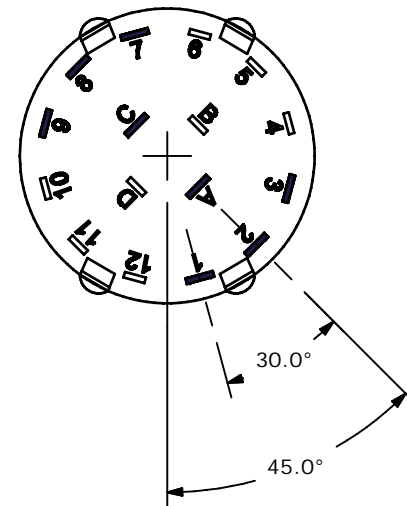
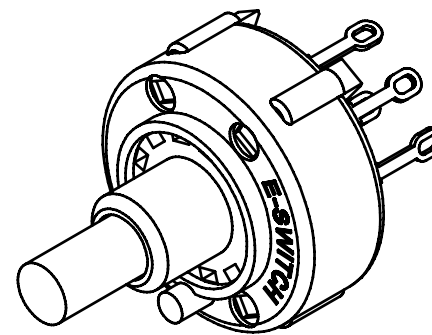
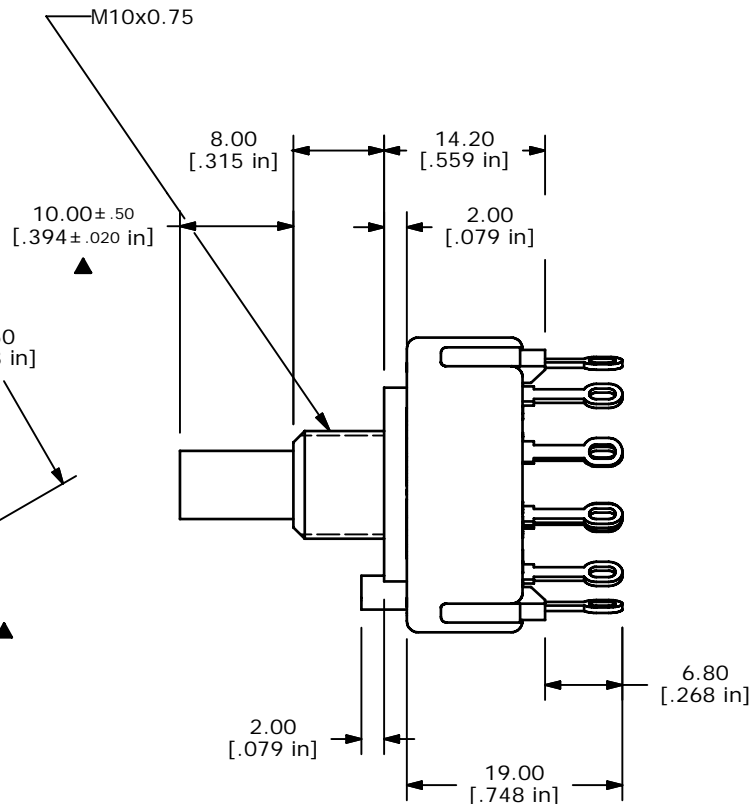
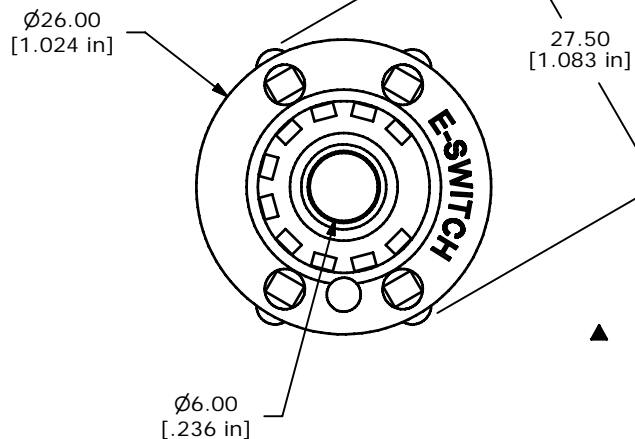


CONTACT CONFIGURATION
TIMING (BBM) NON-SHORTING ▲



NOTE:

1. ALL DIMENSIONS IN MM[INCH].
2. GENERAL TOLERANCE: X.X=±0.4
X.XX=±0.25
3. TERM. NOS. FOR REFERENCE ONLY.
- ▲4. CONTACT MATERIAL: GOLD FLASH OVER SILVER
5. CONTACT RATING: 150MILLIAMP, 250VAC/DC
300MILLIAMP, 125VAC/DC
6. CONTACT RATING (NON-SWITCHING) 5A
7. OPERATING FORCE 425± 100CM/STANDARD
8. OPERATING TEMP: -30°C TO 85°C
9. CIRUIT DP: 3 POSITION 30° INDEX.
10. DIELECTRIC STRENGTH: 500V RMS MIN.@ SEA LEVEL.
11. HARDWARE SUPPLIED ON SWITCH:
LOCKWASHER, HEXNUT, STOP RING
12. ▲ DENOTES CRITICAL PARAMETER.

E-SWITCH®

A	15089	NEW RELEASE	7/22/05	RC
REV	PCR NO	DESCRIPTION	DATE	BY

TITLE KC23B10.002NLF				
SCALE	DATE	DR	DWG	REV
2=1	7/22/2005	RC	G511005A	A

THE INFORMATION CONTAINED IN THIS DOCUMENT IS PROPRIETARY TO E-SWITCH AND IS NOT TO BE COPIED OR TRANSFERRED