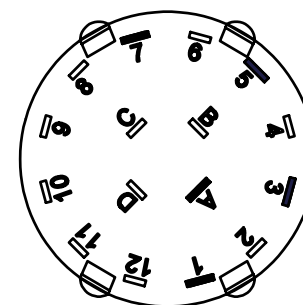
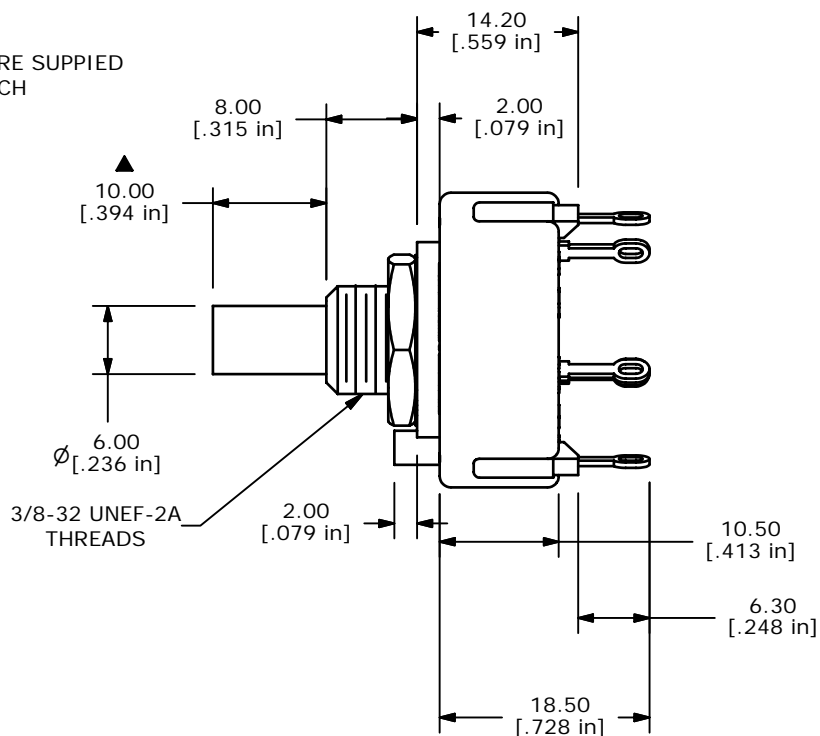
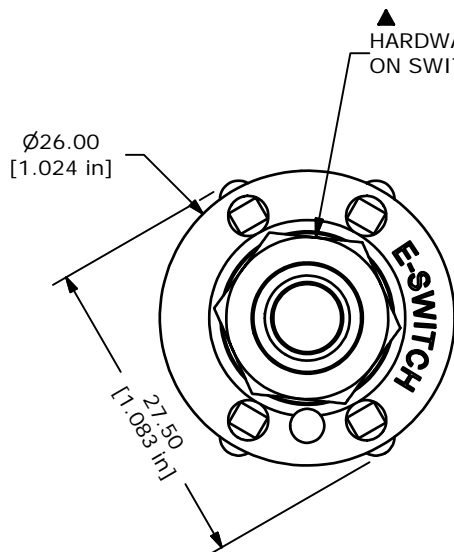
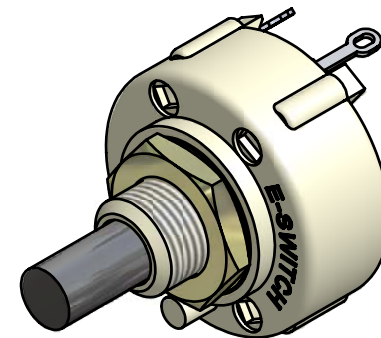


CONTACT CONFIGURATION  
TIMING (BBM) NON-SHORTING



- NOTE:
1. ALL DIMENSIONS IN MM[INCH].
  2. GENERAL TOLERANCE: X.X=±0.4  
X.XX=±0.25
  3. TERM. NOS. FOR REFERENCE ONLY.
  4. CONTACT MATERIAL: SILVER
  5. CONTACT RATING: 300mA @ 125 VAC
  6. CONTACT RATING (NON-SWITCHING) 5A
  7. OPERATING FORCE: 800 ± 300 gm-cm
  8. OPERATING TEMP: -30°C TO 85°C
  - ▲ 9. CIRCUIT SP: 4 POSITION 60° INDEX.
  10. DIELECTRIC STRENGTH: 500VAC FOR 1 MIN.
  - ▲ 11. HARDWARE SUPPLIED ON SWITCH:  
LOCKWASHER, HEXNUT, STOP RING
  12. ▲ DENOTES CRITICAL PARAMETER.

**E-SWITCH®**

TITLE KC57B10.001NLS

A	15280	RELEASED FOR PRODUCTION	9/15/05	PH
REV	PCR NO	DESCRIPTION	DATE	BY

SCALE	DATE	DR	DWG	REV
1.5:1	9/15/2005	PH	G511007	A

THE INFORMATION CONTAINED IN THIS DOCUMENT IS PROPRIETARY TO E-SWITCH AND IS NOT TO BE COPIED OR TRANSFERRED