



# TAI-SAW TECHNOLOGY CO., LTD.

No. 3, Industrial 2nd Rd., Ping-Chen Industrial District,  
Taoyuan, 324, Taiwan, R.O.C.

TEL: 886-3-4690038 FAX: 886-3-4697532

E-mail: [tstsales@mail.taisaw.com](mailto:tstsales@mail.taisaw.com) Web: [www.taisaw.com](http://www.taisaw.com)

## Approval Sheet For Product Specification

Issued Date:

Product Name: SAW Resonator 435.2 MHz SMD 5.0X3.5 mm

TST Parts No.: TC0466A

Customer Parts No.: \_\_\_\_\_

Company: _____
Division: _____
Approved by : _____
Date: _____

Checked by: Paul Ni 

Approval by: Francis Chen 

Date: 2008/7/31



# TAI-SAW TECHNOLOGY CO., LTD.

No. 3, Industrial 2nd Rd., Ping-Chen Industrial District,  
Taoyuan, 324, Taiwan, R.O.C.

TEL: 886-3-4690038 FAX: 886-3-4697532

E-mail: [tstsales@mail.taisaw.com](mailto:tstsales@mail.taisaw.com) Web: [www.taisaw.com](http://www.taisaw.com)

## SAW Resonator 435.2 MHz

MODEL NO.: TC0466A

REV. NO.: 1.0

### A. FEATURES:

1. 1-Port Resonator.

### B. MAXIMUM RATING:

1. Input Power Level: 10 dBm
2. DC voltage: 5 V
3. Operating Temperature: -40°C to +85°C
4. Storage Temperature: -40°C to +85°C

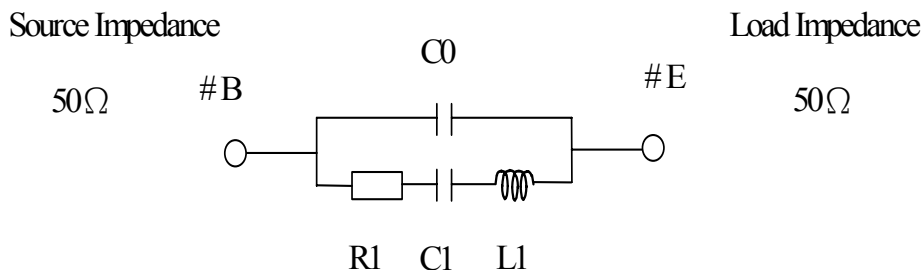
### C. ELECTRICAL CHARACTERISTICS:

Characteristic	Units	Minimum	Typical	Maximum
Center frequency <b>Fr</b>	<b>MHz</b>	435.125	435.200	435.275
Insertion Loss <b>IL</b>	<b>dB</b>	-	1.25	2.0
Equivalent Elements				
Motional capacitance <b>C1</b>	<b>fF</b>	-	2.05	-
Motional inductance <b>L1</b>	<b>μH</b>	-	65.47	-
Motional resistance <b>R1</b>	<b>Ohm</b>	-	12.10	-
Parallel capacitance <b>Co</b>	<b>pF</b>	-	3.59	-
Temp.coeff.	<b>ppm/c*2</b>	-	0.032	-
Turnover To	<b>deg.C</b>	-	25	-
Package size		SMD 5.0X3.5X1.4mm		

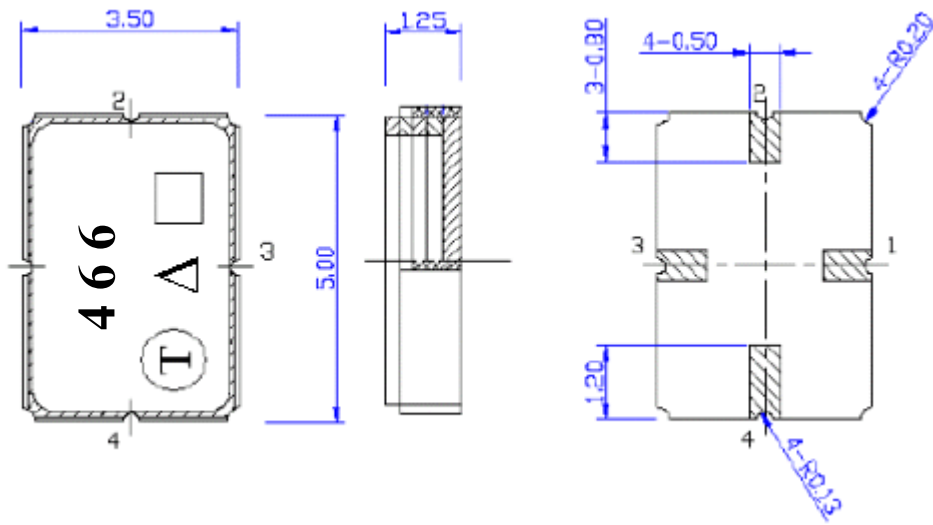
RoHS Compliant  
Lead free  
Lead-free soldering

### D. EQUIVIRENT CIRCUIT:

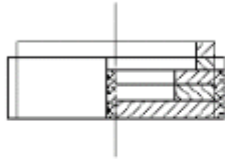
One-Port Resonator:



E. OUTLINE DRAWING:



**Pin 1 : Input**  
**Pin 3 : Output**  
**Pin 2,4 : Ground**



Year	2005 2007	2006 2008
Year Code	C	c

Δ : Year Code

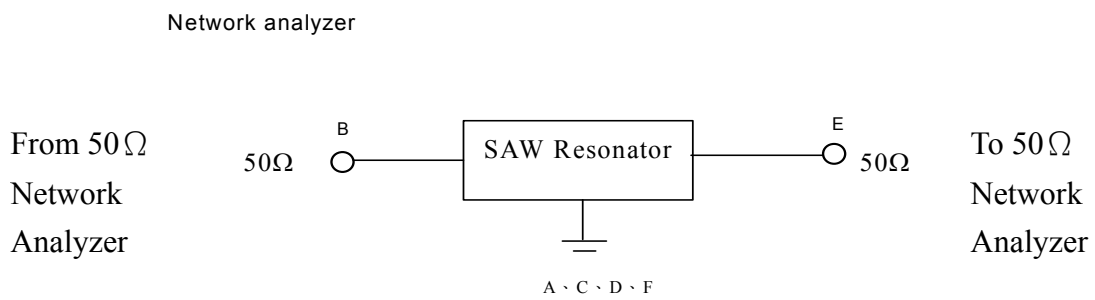
□ : Data Code (Follow provided by planer each year ) the table

WK	01	02	...	26	27	28	...	52
Code	A	B	...	Z	a	b	...	z

## F. FREQUENCY CHARACTERISTICS

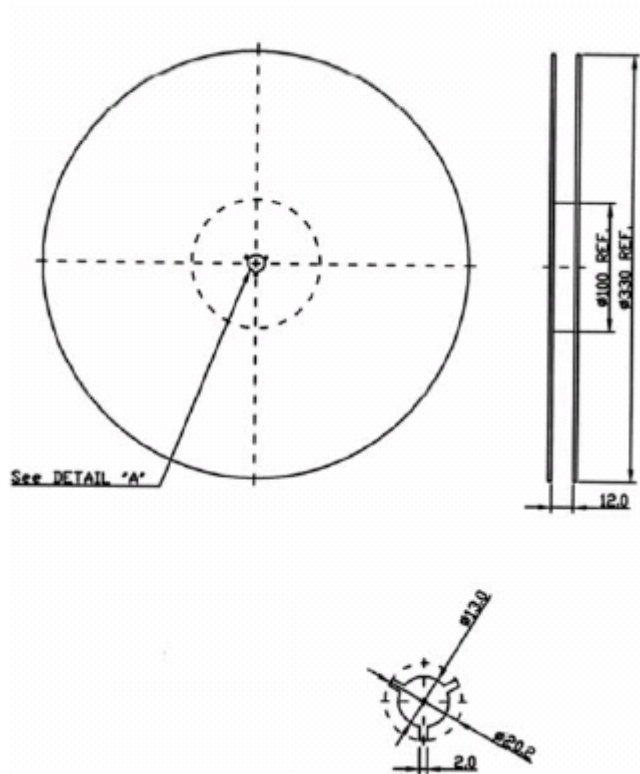


## G. TEST CIRCUIT:

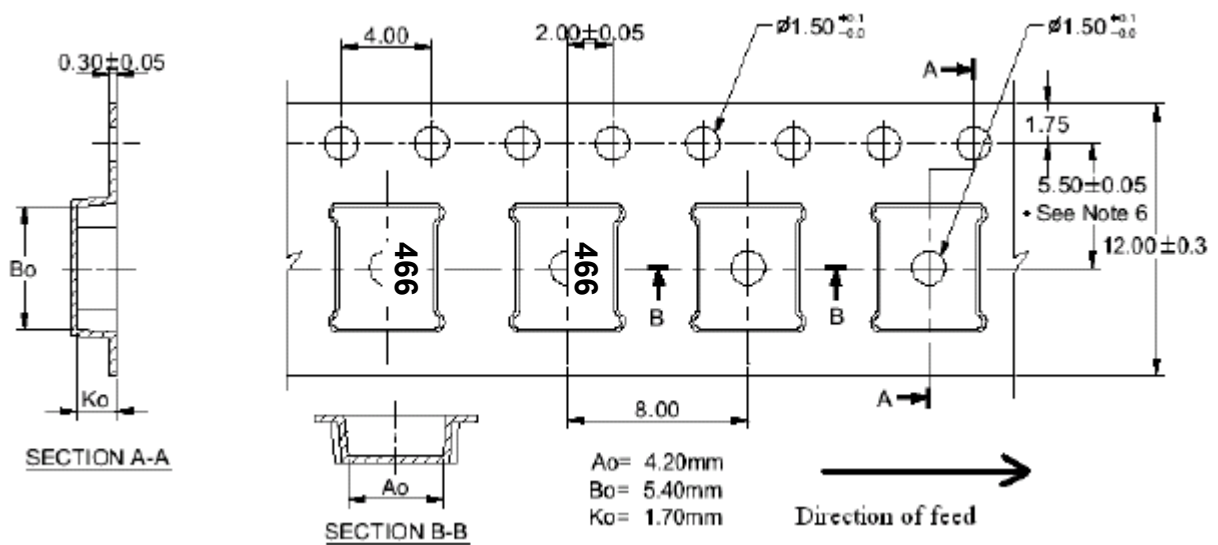


## H. PACKING:

### 1. REEL DIMENSION



### 2. TAPE DIMENSION



**I. RECOMMENDED REFLOW PROFILE:**

