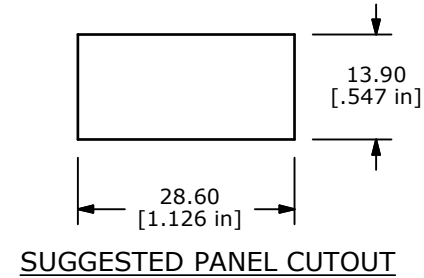
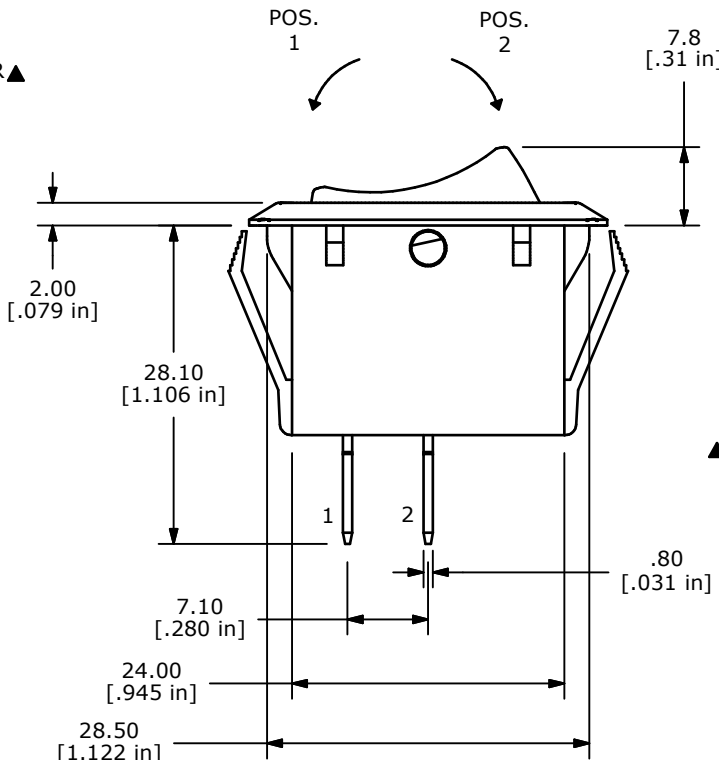
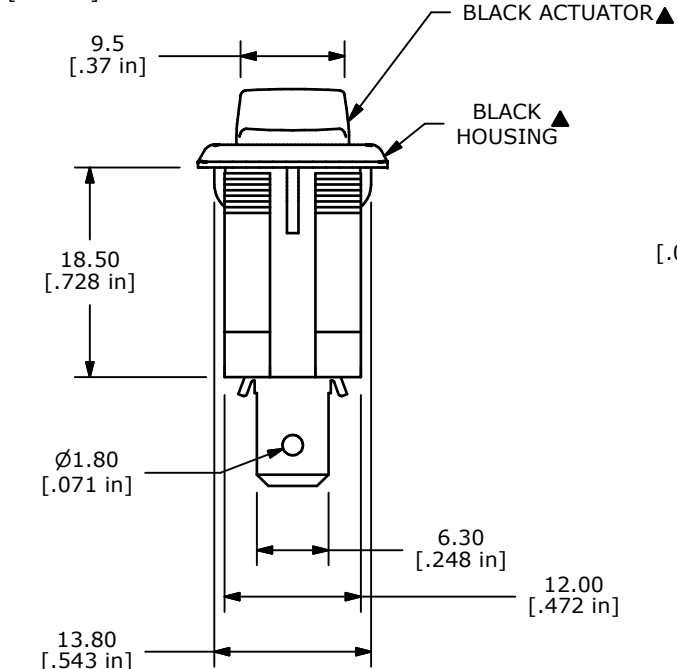


SWITCH FUNCTION	
POS. 1	POS. 2
OFF	(ON)
OPEN	1-2

(ON)=MOMENTARY



- NOTES:
1. ALL DIMENSIONS IN MM [INCH]
 2. GENERAL TOLERANCE: X.X=±0.4
X.XX=±0.25
 3. TERM. NOS. FOR REF. ONLY
 - ▲ 4. RATING: 20A @125VAC;
16A @250VAC.
 5. MATERIAL:
CONTACT SURFACE: SILVER PLATED COPPER
CIRCUIT TERMINAL: BRASS ALLOY w/SILVER PLATE
 6. ELECTRICAL LIFE: 10,000 CYCLES MIN.
 7. CONTACT RESISTANCE: 20 Milli-OHMS MAX.
 8. OPERATING TEMP: -20°C TO 85°C
 9. DIELECTRIC STRENGTH: >1,000V AC 1MIN
 10. ▲ DENOTES CRITICAL PARAMETER.
 11. 2002/95/EC (ROHS) COMPLIANT.



A	20945	RELEASE FOR PRODUCTION	12/27/12	EBP
REV	PCR NO	DESCRIPTION	DATE	BY
<small>THE INFORMATION CONTAINED IN THIS DOCUMENT IS PROPRIETARY TO E-SWITCH AND IS NOT TO BE COPIED OR TRANSFERRED</small>				

TITLE RSC144D1100				
SCALE	DATE	DR	DWG	REV
	12/27/2012	EBP	14-RSC144D1100	A