

Compensated High Current Choke, 3-phase

new



### Description

- Current compensated choke
- 3-phase choke
- THT-terminals
- Flange for mounting onto printed circuit board

### Unique Selling Proposition

- Compact size and light weight
- Open design for optimal cooling
- Wide temperature range
- Customer specific pin outs available

### Standards

- EN 60938

### Applications

- Frequency converter
- Charge stations
- UPS-systems
- Switching power supplies

### Weblinks

[pdf-datasheet](#), [html-datasheet](#), [General Product Information](#), [Approvals](#), [CE declaration of conformity](#), [RoHS](#), [CHINA-RoHS](#), [REACH](#), [e-Shop](#), [SCHURTER-Stock-Check](#), [Distributor-Stock-Check](#), [Detailed request for product](#)

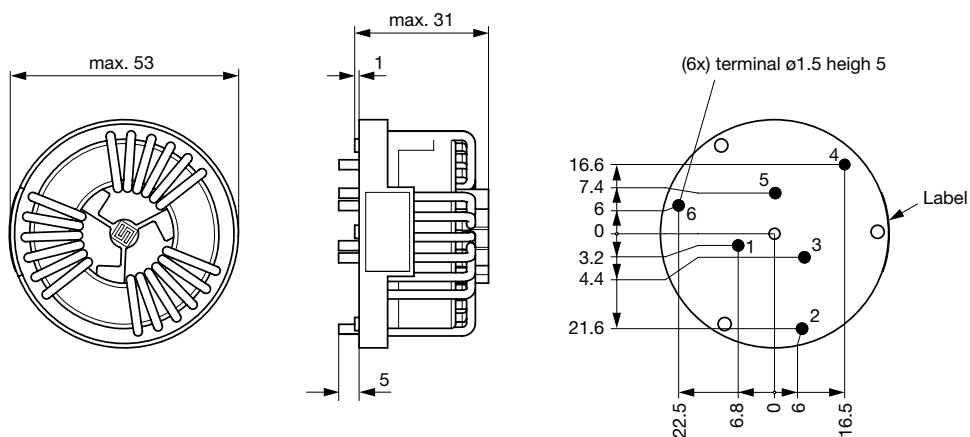
### Technical Data

|                           |                               |
|---------------------------|-------------------------------|
| Rated voltage             | max 600VAC                    |
| Rated Current             | 10 - 50A @ Ta 40 °C           |
| Rated inductance          | 0.08 - 1.1 mH, Tol. -30% +50% |
| Power Operating Frequency | 0 - 400Hz                     |
| Terminal Type             | THT                           |
| Weight                    | 90 - 160g                     |
| Material: Housing         | UL 94V-0                      |

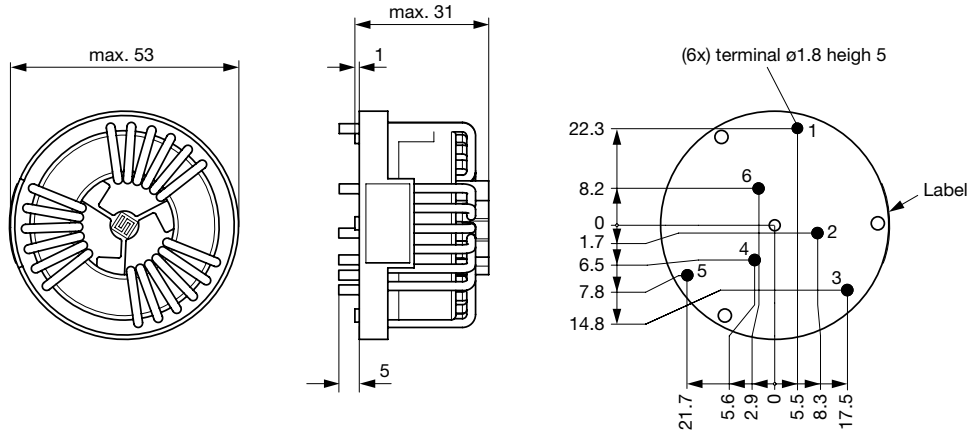
|                           |                                    |
|---------------------------|------------------------------------|
| Test Voltage              | 3740VDC, 2 sec, winding to winding |
| Climatic Category         | 40/100/21 acc. to IEC 60068-1      |
| Allowable Operation Temp. | -40°C to 100°C                     |

### Dimension

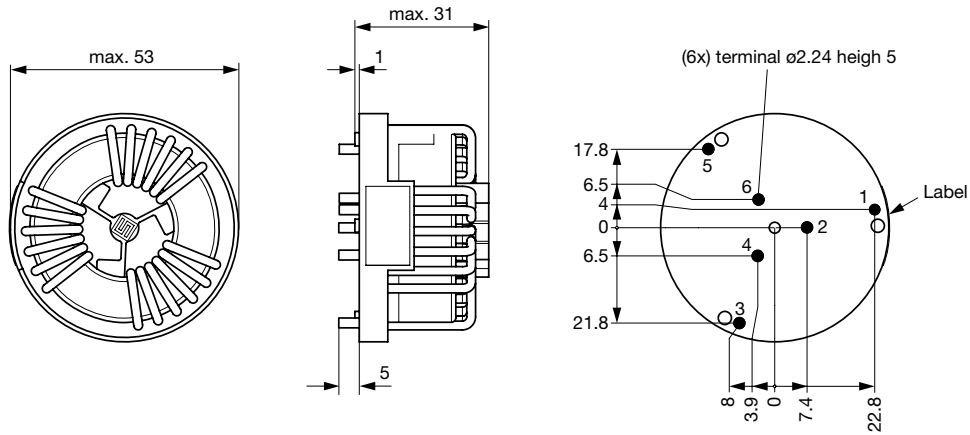
52-12



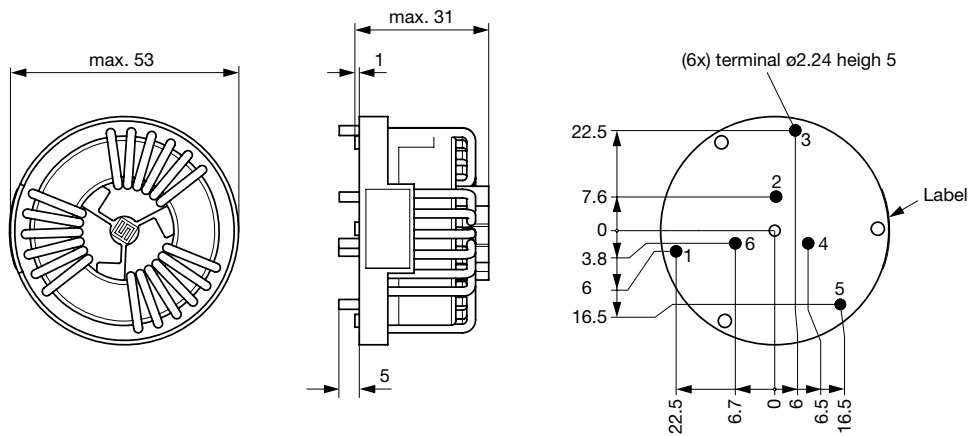
52-16



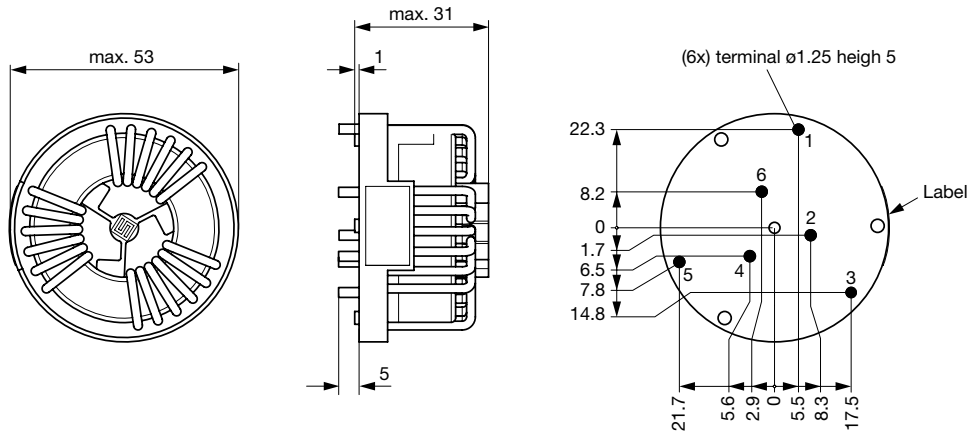
52-20



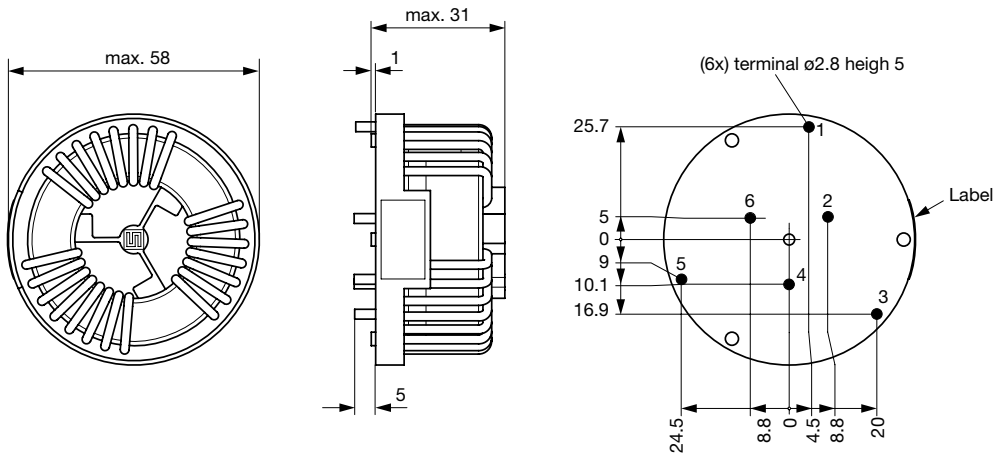
52-25



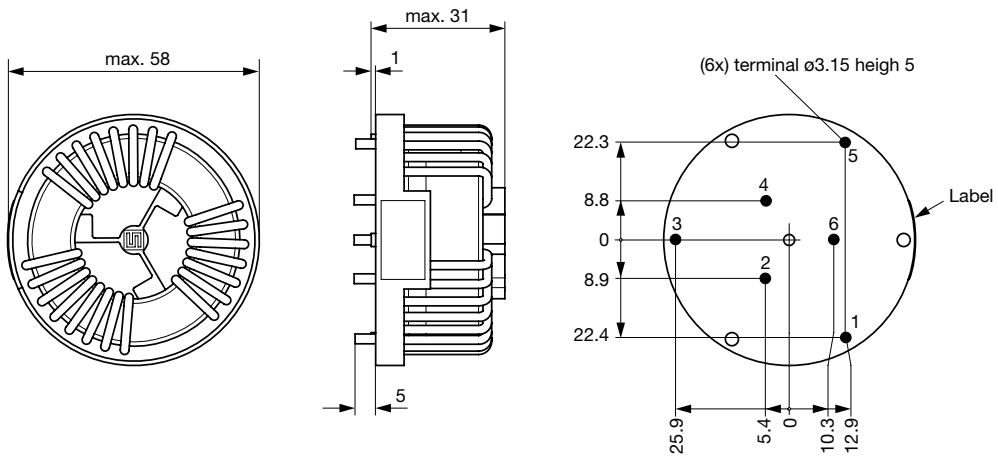
52-10



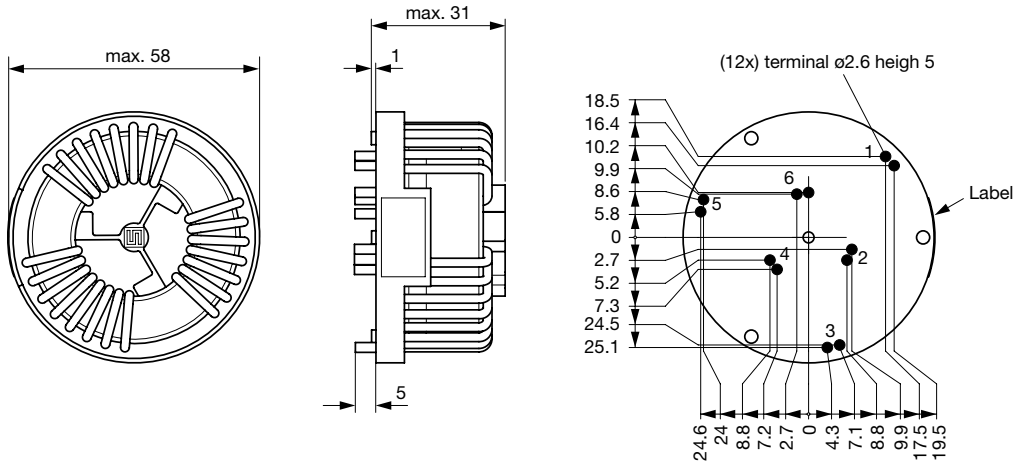
58-32



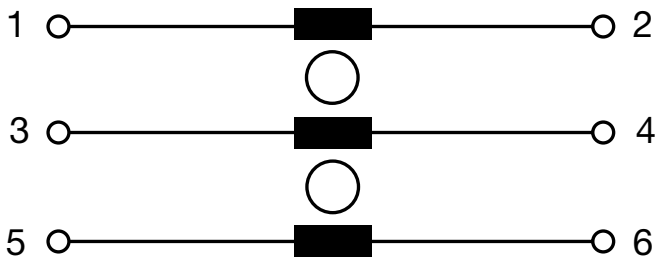
58-40



58-50

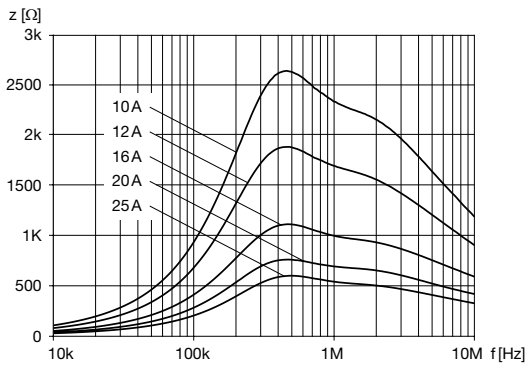


Diagrams

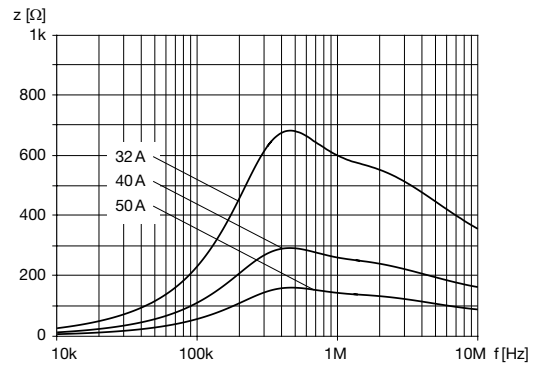


Impedance curves

DKIH-3-3352-xxxx



DKIH-3-3358-xxxx



All Variants

| $I_n$ [A] | $L_n$ [mH] | $R_{cu}$ [mΩ] | Power <sub>loss</sub> [W] | $f_{RES}$ [MHz] | Copper $\phi$ [mm] | Weight [g] | Housing | Packing unit [pcs.] | Order Number   |
|-----------|------------|---------------|---------------------------|-----------------|--------------------|------------|---------|---------------------|----------------|
| 10        | 1.1        | 7.5           | 2.3                       | 0.5             | 1.25               | 90 g       | 52-10   | 20                  | DKIH-3352-102J |
| 12        | 0.75       | 4.5           | 1.9                       | 0.5             | 1.5                | 90 g       | 52-12   | 20                  | DKIH-3352-12D8 |
| 16        | 0.46       | 3             | 2.3                       | 0.5             | 1.8                | 90 g       | 52-16   | 20                  | DKIH-3352-16D5 |
| 20        | 0.35       | 1.5           | 1.8                       | 0.5             | 2.24               | 105 g      | 52-20   | 20                  | DKIH-3352-20D4 |
| 25        | 0.24       | 1.2           | 2.3                       | 0.5             | 2.24               | 100 g      | 52-25   | 20                  | DKIH-3352-25D3 |
| 32        | 0.33       | 1.1           | 3.4                       | 0.4             | 2.8                | 155 g      | 58-32   | 20                  | DKIH-3358-32D3 |
| 40        | 0.15       | 0.6           | 2.9                       | 0.4             | 3.15               | 145 g      | 58-40   | 20                  | DKIH-3358-40D2 |
| 50        | 0.08       | 0.4           | 3                         | 0.4             | 2 x 2.5            | 160 g      | 58-50   | 20                  | DKIH-3358-50C8 |

Most Popular:

Availability for all products can be searched real-time: <http://www.schurter.com/Stock-Check/Stock-Check-SCHURTER>