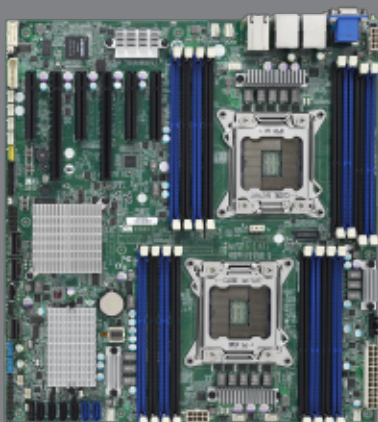
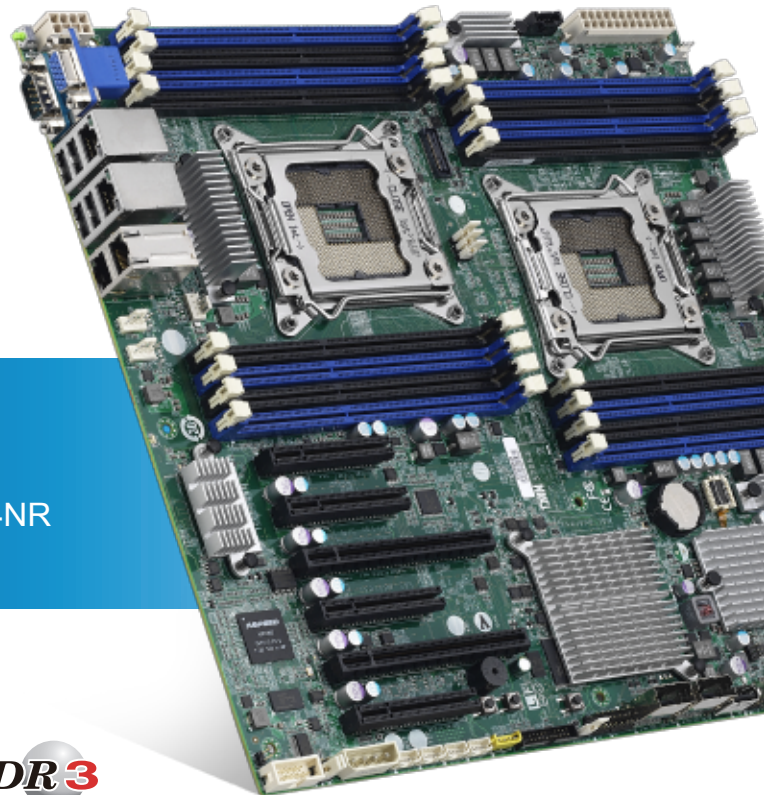


DUAL-SOCKET SERVER PLATFORM

S7053

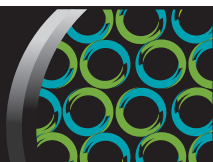
S7053GM2NR / S7053WGM2NR / S7053GM4NR
S7053WGM4NR



■ Intel® C602 Chipset

High-end dual-socket server platform for Storage and server virtualization applications with (4) GbE and iKVM support

- Dual LGA2011 socket supports (2) E5-2600/E5-2600 v2 Series CPU
- Intel® C602 PCH and INTEL SAS ROM key design
- (8+8) 240-pin UDIMM/RDIMM/LRDIMM ECC 1066/1333/1600/1866
*Speed 1866 only for 1 slot per channel 1.5V(Blue color DIMM slot)
- Support up to 128GB UDIMM/256GB RDIMM/512GB LDRIMM memory
- (4) PCI-E x8 slots, (2) PCI-E x16 slots
- (4) SATA-II connectors w/ RAID 0, 1, 10, 5 support
- (2) SATA-III connectors
- (3) mini-SAS connector
- LSI SAS2308 SAS 6.0Gb/s ports up to (8) ports
- Up to (4) GbE LAN
- SSI EEB (12" x 13") form factor



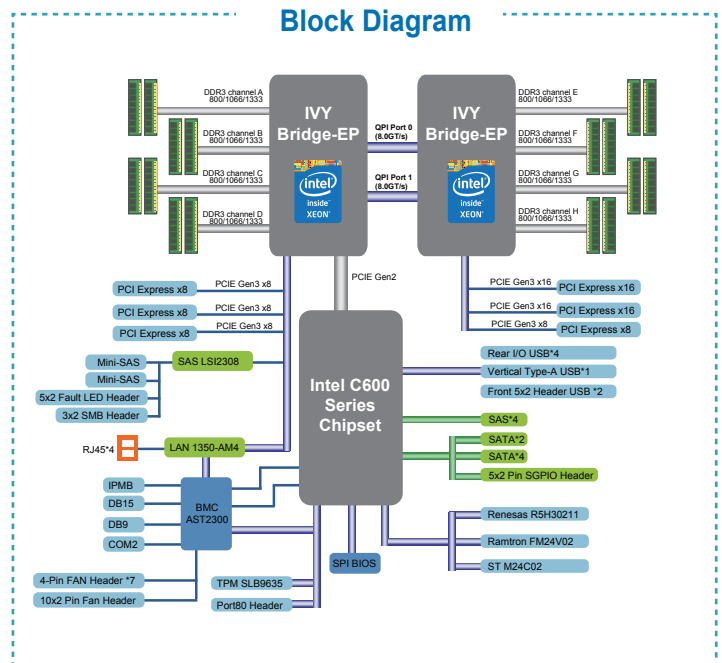
S7053

S7053GM2NR / S7053WGM2NR / S7053GM4NR
S7053WGM4NR

TYAN

Specifications

Processor	Supported CPU Series	Intel® Xeon® E5-2600 Series processors	
	Socket Type / Q'ty	LGA2011 / (2)	
	Thermal Design Power (TDP) wattage	150W	
Chipset	PCH / PCI-E Switch	Intel® C602 series	
	Super I/O	Nuvoton 5577D	
Memory	Supported DIMM Qty	(8+8) DIMM sockets	
	DIMM Type / Speed	DDR3/DDR3L 800 / 1066 / 1333 / 1600 RDIMM, 800 / 1066 / 1333 UDIMM / LRDIMM / Support DDR3 Unbuffered and Register ECC	
	Capacity	up to 128GB UDIMM / 256GB RDIMM / 512GB LRDIMM	
	Memory channel	4 Channels	
	Memory voltage	1.35V/1.5V	
Expansion Slots	PCI-E	(4) PCI-E x8 slots (x8 link, slot #6, #5, #3, #1) (2) PCI-E x16 slots (x16 link, slot #4, #2)	
	Recommended TYAN® Riser Card	-	
	PCI	-	
LAN	Port Q'ty	(4) GbE ports	
	Controller	Intel® I350AM2 / I350AM4	
Storage	SAS (opt.)	Connector	(2) Mini-SAS
		Controller	LSI SAS2308 (S7053WGM2NR, S7053WGM4NR)
		Speed	6.0 Gb/s
	SATA	Connector	(10) SATA; (2) 6G + (8) 3G
		Controller	Intel® C602
		Speed	(2) 6.0 Gb/s(blue color); 4 for 3.0 Gb/s(black color); (4) 3.0 Gb/s (mini-SAS connectors)
RAID	RAID 0/1/10/5 (Intel® RST)		
Graphic	Connector type	D-Sub 15-pin	
	Chipset	Aspeed AST2300	
Audio	Chipset	-	
TPM (optional)	Chipset	Infineon SLB9635 (optional)	
	Version	TPM v1.2	
Input /Output	USB	(5) USB2.0 ports (2 stack-up ports, 1 type A header)	
	COM	(1) DB-9 COM connector (at rear, COM1) + (1) Header (COM2)	
	Audio	-	
	VGA	(1) D-Sub 15-pin VGA port	
	DVI	-	
	Display Port	-	
	Power	SSI 24-pin + 8-pin + 8-pin power connectors	
	RJ-45	(4) GbE ports (-4NR SKU)	
	Power	SSI/ATX 24-pin + 8-pin + 8-pin power connectors	
	Front Panel	(1) 2x12-pin SSI front panel header	
	SATA	(6) single port SATA connectors	
	SAS	(2) Mini SAS	



System Monitoring	Chipset	Nuvoton 8377G
	Voltage	Monitors voltage for CPU, memory, chipset & power supply
	Fan	Total (7) 4-pin headers
Server Management	Temperature	Monitors temperature for CPU & system environment
	Onboard Chipset	Onboard Aspeed AST2300
	AST2300 IPMI Feature	IPMI 2.0 compliant baseboard management controller (BMC) Supports storage over IP and remote platform-flash USB 2.0 virtual hub
BIOS	AST2300 iKVM Feature	24-bit high quality video compression 10/100 Mb/s MAC interface
	Brand / ROM size	AMI / 8MB
Form Factor	Feature	Plug and Play (PnP) /PCI2.3 /WfM2.0 /SMBIOS2.3 /PXE boot / ACPI 2.0 power management /Power on mode after power recovery / User-configurable H/W monitoring / Auto-configurable of hard disk types
	Form Factor	SSI EEB
Operating System	Board Dimension	12"x13" (305x330mm)
	OS supported list	Please refer to our OS supported list.
Regulation	FCC (DoC)	Class A
	CE (DoC)	Yes
Operating Environment	Operating Temp.	10° C ~ 35° C (50° F ~ 95° F)
	Non-operating Temp.	- 40° C ~ 70° C (-40° F ~ 158° F)
RoHS	In/Non-operating Humidity	90%, non-condensing at 35° C Non-operating Relative Humidity: 10% to 95% (non-condensing)
	RoHS 6/6 Compliant	Yes
ErP/EuP		Yes

(Specifications are subject to change without notice. Items pictured may only be representative.)

MiTAC Computing Technology Corp
TYAN Business Unit

USA
Tel: +1-510-651-8868
Fax: +1-510-651-7688

Taiwan
Tel: +886-2-2652-5888
Fax: +886-2-2652-5805

Japan
Tel: +81-3-3769-8311
Fax: +81-3-3769-8328

China
Shanghai Tel: +86-21-61431188 Ext 1366
China Tel: +86-010-62555015 Ext 8302

