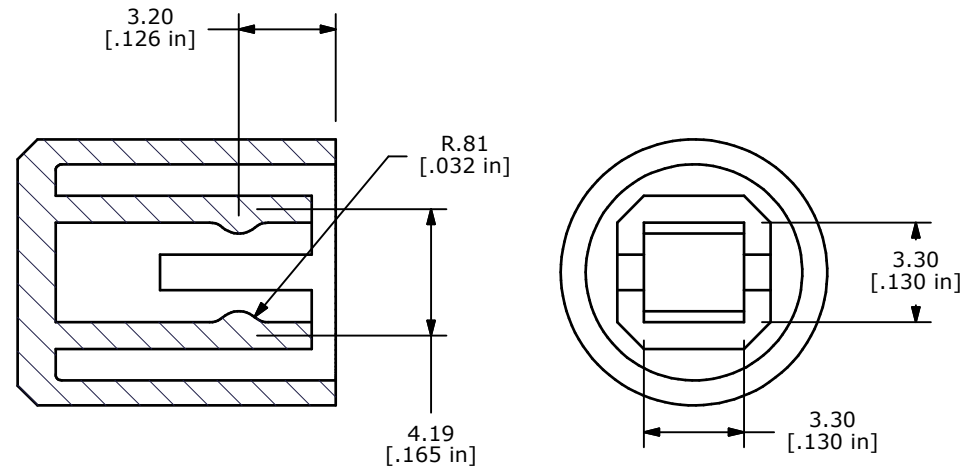
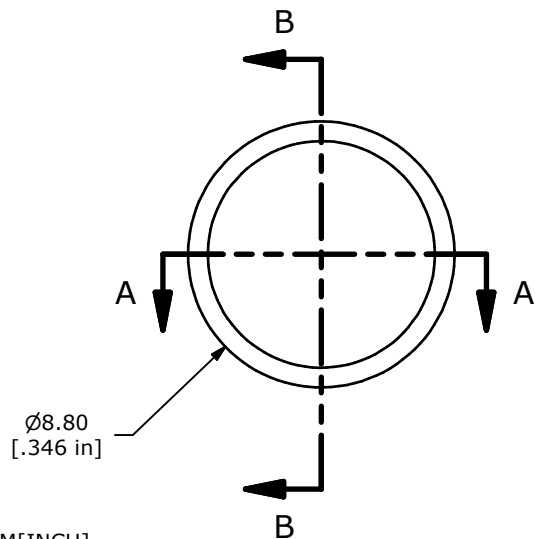
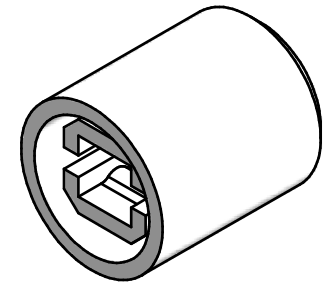


SECTION A-A  
SCALE 4 : 1



SECTION B-B  
SCALE 4 : 1

NOTES:

1. ALL DIMENSIONS IN MM[INCH]
2. GENERAL TOLERANCE: X.XX $\pm$ 0.15
- ▲3. MATERIAL: ABS UL94HB
- ▲4. COLOR: WHITE
5. ▲ DENOTES CRITICAL PARAMETER
6. 2002/95/EC (ROHS) COMPLIANT



REV	PCR NO	DESCRIPTION	DATE	BY
B	17594	CHANGED DETENT RIB PLACEMENT	8/27/07	BF
A	16295	RELEASED FOR PRODUCTION	8/9/06	BO

E-SWITCH™				
TITLE TAGWHT				
SCALE	DATE	DR	DWG	REV
4:1	8/27/2007	BF	T041602	B

THE INFORMATION CONTAINED IN THIS DOCUMENT IS PROPRIETARY TO E-SWITCH AND IS NOT TO BE COPIED OR TRANSFERRED