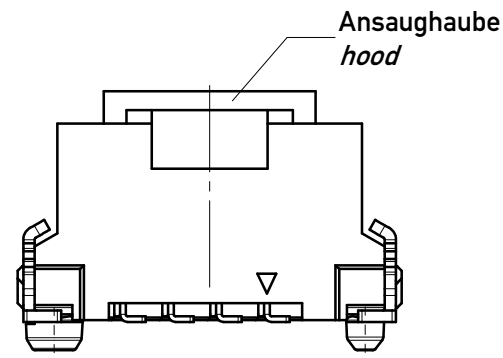


Anforderungsstufe 1
Performance Level 1

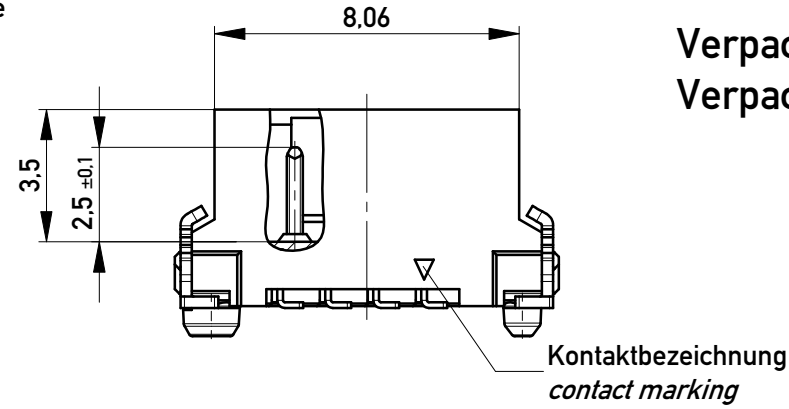
Kontaktbereich vergoldet
Mating Area gold plating

Anschlussbereich verzinnt 4-6 µm
Terminal Area 4-6 µm tin plating

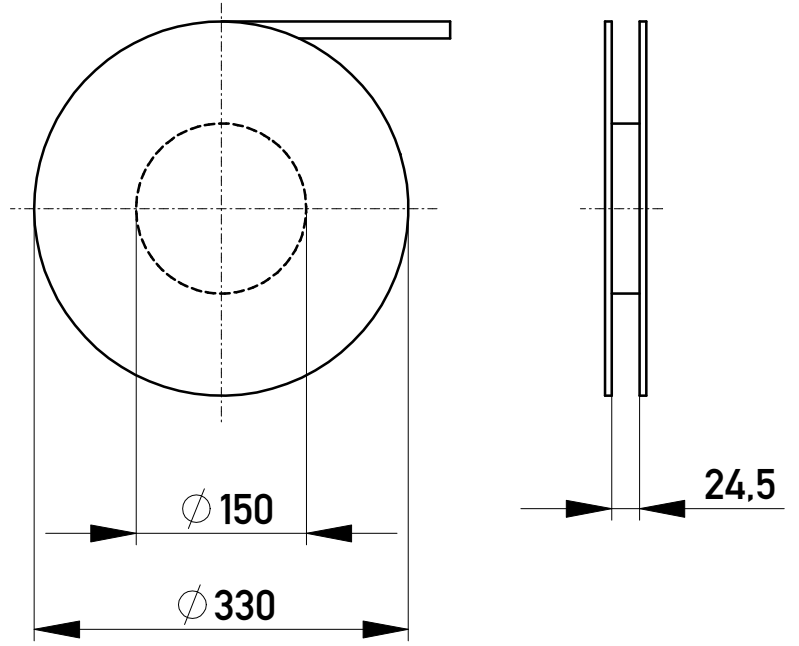
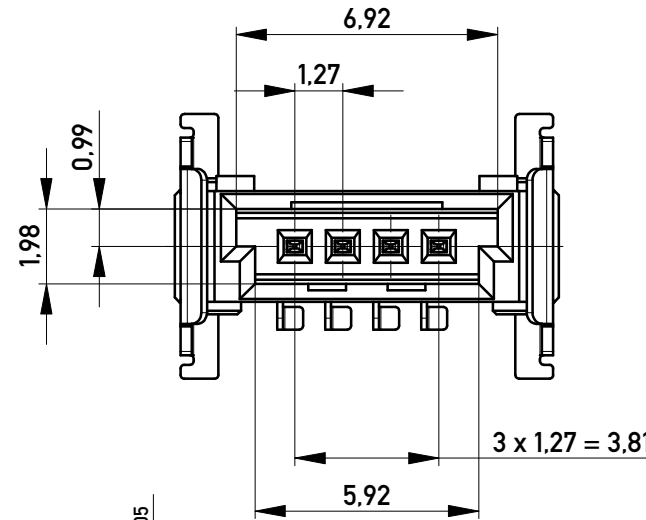
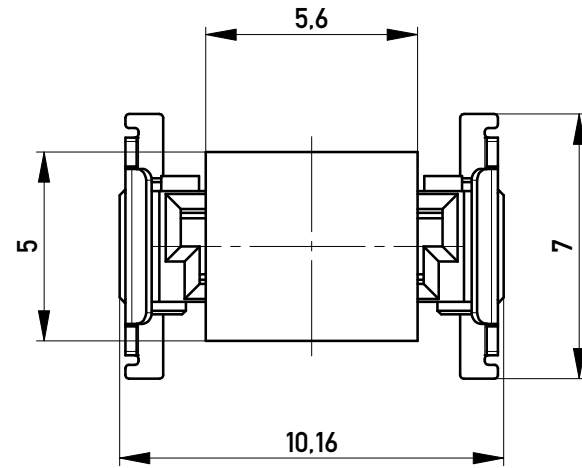
Koplanarität der Anschlüsse ≤ 0,1 mm
Coplanarity Area of Termination ≤ 0,1 mm



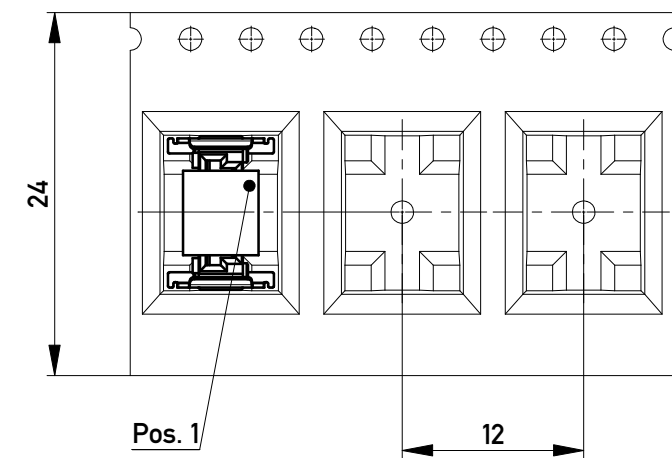
ohne Ansaughaube - without hood



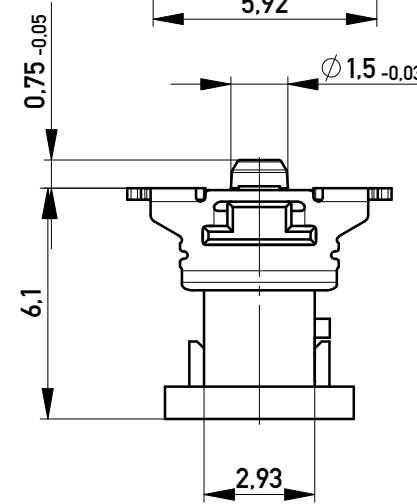
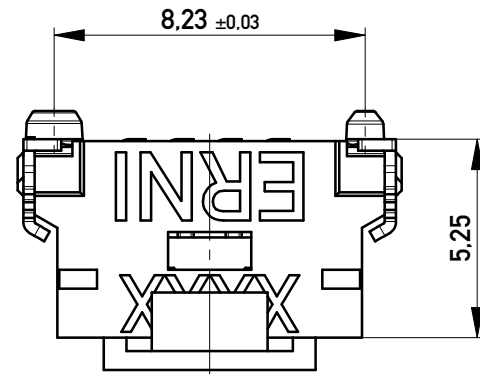
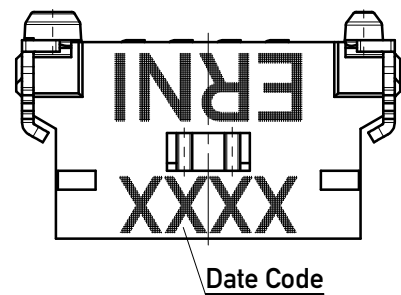
Verpackt in Gurtverpackung - Tape on Reel Packaging
Verpackungseinheit: 650 Stück - Packaging unit: 650 pcs



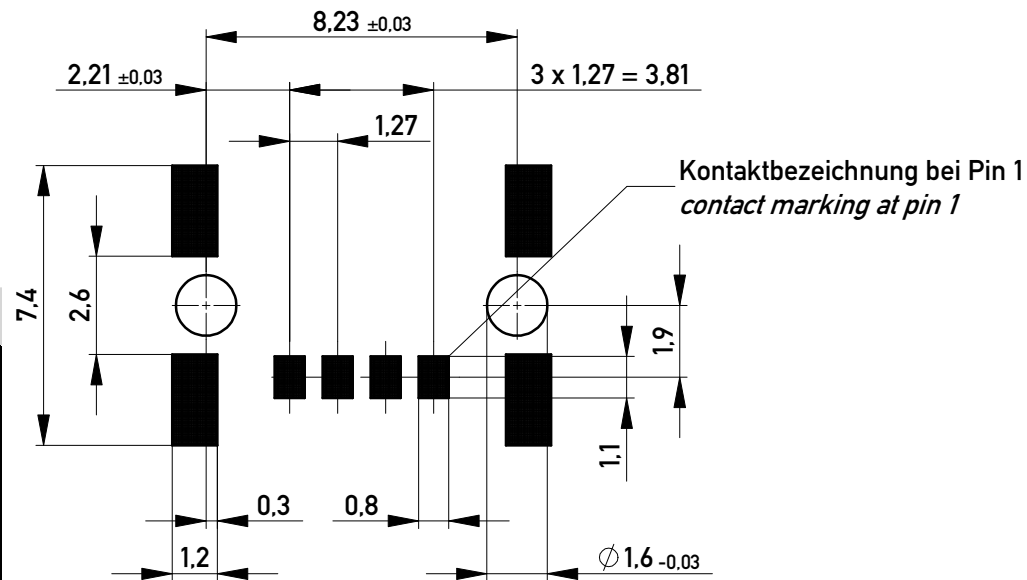
Abspulrichtung - Reel off Direction



ohne Ansaughaube - without hood



Leiterplatten-Layout für SMT
PCB-Layout for SMT



Plating definitions, Performance class 1

	Mating area	Termination area
SMT PdNi-version	1.5-3µm Ni min. 0.65µm PdNi 0.15µm Au	1.5-3µm Ni 4-6µm Sn matt

RoHs - conform 6/6

Copyright by ERNI GmbH
Proprietary notice pursuant to ISO 16016 to be observed.

Information:		Tolerances	Scale 5:1
All rights reserved. Only for Information. To ensure that this is the latest version of this drawing, please contact one of the ERNI companies before using.		All Dimensions in mm	Designation
Subject to modification without prior notice. Drawing will not be updated.		www.ERNI.com	1,27 SRC P, 4-polig 1,27 SRC P, 4-pin
f 15.02.2011 Index Date		ERNI	100300090001
			K A3
		Class	SRCP